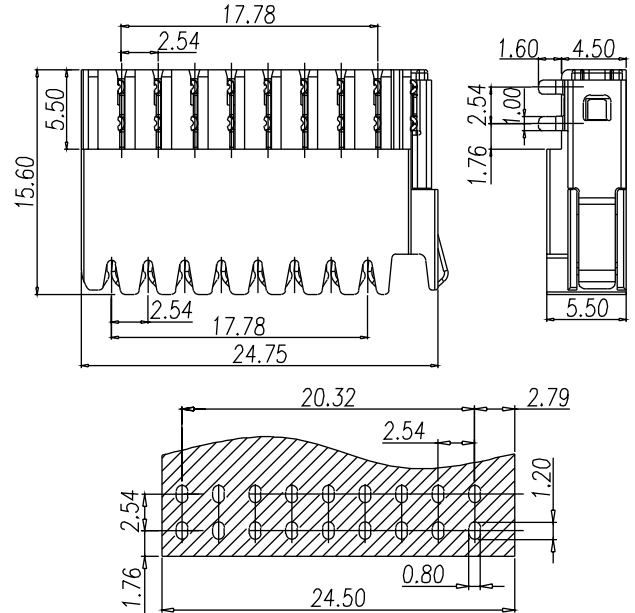
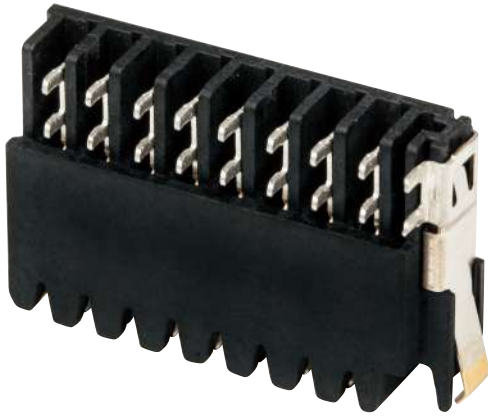


BS-100

Accessories for Enclosure



Specification

| | |
|-------------------------|--------------|
| pin length(mm) | 1.60 |
| No of channel | 8 |
| pitch (mm) | 2.54A |
| Rated voltage | 150V |
| Rated current | Max.8A |
| Rated withstand voltage | 1600V |
| Applied temperature | -40°C~+105°C |