

**DINKLE ENTERPRISE CO., LTD.**

No.19,Wuquan 2nd Road., Wugu District,  
New Taipei City 248020, Taiwan  
TEL:+886-2-8069-9000 7705-6900  
FAX:+886-2-2290-1702  
E-mail:service@dinkle.com  
Web:www.dinkle.com

**DINKLE INTERNATIONAL CO., LTD.**

No.19,Wuquan 2nd Road., Wugu District,  
New Taipei City 248020, Taiwan  
TEL:+886-2-8069-9000 7705-6900  
FAX:+886-2-2290-1702  
E-mail:service@dinkle.com  
Web:www.dinkle.com

**OPTIKLE INTERNATIONAL CO., LTD.**

Room 29, 1/F, Block B, Proficient Industrial Center,  
No.6 Wang Kwun Road, Kowloon Bay, Kowloon,  
HONG KONG  
TEL:+852-2795-3840 2758-8005  
FAX:+852-2753-6919  
E-mail:Service.LY.Sales@dinkle.com.cn  
Web:www.dinkle.com

**DINKLE ELECTRIC MACHINERY (CHINA) CO., LTD.**

No.388, Xingpu Mid Road, Shipu, Qiangeng Town,  
Kunshan City, Jiangsu Province 215343, China  
TEL:+86-512-5708-8588  
FAX:+86-512-5708-8600  
E-mail:Service.SH.Sales@dinkle.com.cn  
Web:www.dinkle.com/kscn/

**LIYANG ELECTRIC MACHINERY (DONGGUAN) CO., LTD.**

No.2, Jinqianlin 1st Street, Jitigang Village, Huangjiang Town,  
Dongguan City, Guangdong Province, China  
TEL:+86-769-8336-4350 8336-4370  
FAX:+86-769-8336-4314  
E-mail:Service.LY.Sales@dinkle.com.cn  
Web:www.dinkle.com

**DINKLE CORPORATION, USA**

13748 Pike Road, Missouri City, Texas, USA 77489  
TEL:+1-832-539-4703  
Toll-Free:+1-844-273-1850  
FAX:+1-832-532-7226  
E-mail:Service.US.Sales@dinkle.com  
Web:www.dinkle.com/en/home

**DINKLE S.R.L, ITALY**

Via Stabilini n°14, 23864 Malgrate (LC), Italia  
TEL:+39/03411716154  
E-mail:Service.It.Sales@dinkle.com  
Web:www.dinkle.com/it/

**DINKLE ELECTRIC TRADING (SHANGHAI) CO., LTD.**

Unit 3706, Grand Gateway Tower 2, No. 3 Hongqiao Road,  
Xuhui District, Shanghai City.  
TEL:+86-21-6487-0636 6487-5423  
FAX:+86-21-3356-2500  
E-mail:Service.SH.Sales@dinkle.com.cn  
Web:www.dinkle.com/cn/

**Beijing Sales Office**

TEL:+86-10-5873-4338  
FAX:+86-10-5873-4337  
E-mail: Service.SH.Sales@dinkle.com.cn  
Web: www.dinkle.com/cn/



E-mail : service@dinkle.com

Web : www.dinkle.com

Dinkle remains the right of product modification and engineering change of design.  
The catalogue is for reference only. The final product is made according to actual  
engineering drawing.

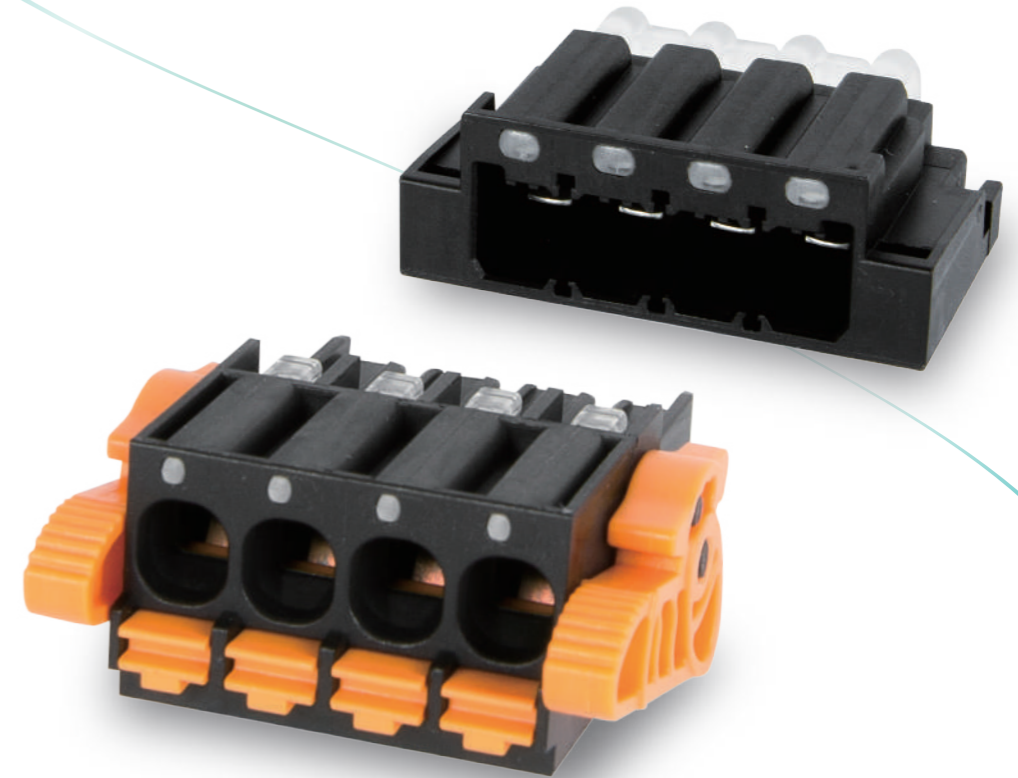
弊社標準品に関しては、修正や設計変更等が行われるため、カタログは参考であり、  
詳細仕様は図面を基準とする。

本公司對產品保有修改、設變權，目錄僅供參考，實際產品仍需依照工程圖面  
為準。

FEB./2024\_V.01

# Terminal Block

Delight Through Connections



# **DINKLE , Delight Through Connections !!**

Established on July 22, 1983, Dinkle, after decades of market refinement, has been improving over time, providing globalization services by the core capability of terminal block manufacturing, and becoming the best partner in the industrial fields.

Headquartered in Taiwan, there are five manufacturing sites around the world, it's easy to find Dinkle service locations in every country. We cultivate professionals from various countries to provide excellent services for electrical connections, electrical cabinets and communication electronic products.

The R&D center has more than 400 engineers to innovate product design, carry out digital transformation from information digitization to technology digitization, and develop products suitable for industrial fields. The automated manufacturing of production lines at each site ensures excellent product performance and quality.

All production bases are certified by ISO9001 and ISO 14001, and the products have passed UL, cUL, VDE, TUV, ENEC, LR and other safety certifications.



# Table of Contents

## PID (Push-In Design) PCB Connectors

Pitch (mm)	Voltage (V)	Current (A)	Part number	Page	Remarks	Pitch (mm)	Voltage (V)	Current (A)	Part number	Page	Remarks
2.50	150	4	ESC250V-XXP	29		5.00	300	10	0226-03XX	13	Light pipe
2.50	150	4	ESC250L-XXP	29		5.00	300	10	0226-06XX	14	Screw flange
2.54	150	5	0156-1AXX-BK	3	Screw flange	5.00	300	10	0226-07XX	14	Lock flange
2.54	150	5	0156-1BXX-BK	2		5.00	300	10	0226-08XX	14	
2.54	150	5	0156-1CXX-BK	3	Lock flange	5.00	300	10	5ESDS-XXP	31	
2.54	150	5	0156-1DXX-BK	3	Release tool	5.00	300	10	5ESDSM-XXP	31	Screw flange
2.54	150	6	0157-1BXX	4		5.00	300	10	5ESDSR-XXP	31	
3.50	150	8	0156-2AXX-BK	5	Screw flange	5.00	300	10	5ESDSRM-XXP	31	Screw flange
3.50	150	8	0156-2BXX-BK	5		5.00	300	10	5ESV-XXP	23	
3.50	150	8	0156-2CXX-BK	5	Lock flange	5.00	300	10	5ESVK-XXP	23	Release tool
3.50	150	8	0156-2DXX-BK	5	Release tool	5.00	300	10	5ESVM-XXP	23	Screw flange
3.50	150	8	0156-9AXX	6	Screw flange	5.00	300	10	5ESR-XXP	23	
3.50	150	8	0156-9BXX	5		5.00	300	10	5ESRK-XXP	23	Release tool
3.50	150	8	0156-9CXX	5	Lock flange	5.00	300	10	5ESRM-XXP	23	Screw flange
3.50	150	8	0156-9DXX	6	Release tool	5.00	300	15	0161-01XX	105	Screw flange
3.50	300	10	0159-01XX	7	Screw flange	5.00	300	15	0161-02XX	105	Lock flange
3.50	300	10	0159-03XX	7		5.00	300	15	0161-03XX	105	
3.50	300	10	0159-04XX	7	Release tool	5.00	300	15	0161-04XX	105	Release tool
3.50	300	8	0159-05XX	8	Screw flange/light pipe	5.00	300	15	0227-01XX	15	Screw flange/light pipe
3.50	300	8	0159-07XX	8	Light pipe	5.00	300	15	0227-02XX	15	Lock flange/light pipe
3.50	300	8	0159-08XX	8	Lock flange/light pipe	5.00	300	15	0227-03XX	15	Light pipe
3.50	300	8	0181-A1XX	104	Screw flange	5.00	300	15	0227-04XX	15	Release tool/light pipe
3.50	300	8	0181-A3XX	104		5.00	300	15	0227-06XX	16	Screw flange
3.50	300	8	0221-20XX	19		5.00	300	15	0227-07XX	16	Lock flange
3.50	300	8	0221-21XX	20	Lock flange	5.00	300	15	0227-08XX	16	
3.50	300	8	0221-24XX	20	Lock flange	5.00	300	15	0227-09XX	16	Release tool
3.50	300	8	0221-28XX	20	Screw flange	5.00	300	15.5	0234-20XX-MW	30	Lock flange
3.50	300	8	0221-29XX	20	Release tool	5.08	300	8	0225-04XX	9	Screw flange
3.50	300	8	0225-01XX	11	Screw flange/light pipe	5.08	300	8	0225-05XX	9	Lock flange
3.50	300	8	0225-02XX	11	Lock flange/light pipe	5.08	300	8	0225-09XX	10	
3.50	300	8	0225-03XX	11	Light pipe	5.08	300	8	0225-0AXX	10	Release tool
3.50	300	8	0225-06XX	12	Screw flange	5.08	300	12	0229-A5XXY	101	Inverted plug
3.50	300	8	0225-07XX	12	Lock flange	5.08	300	12	0229-A9XXY	101	Inverted plug
3.50	300	8	0225-08XX	12		5.08	300	12	0229-F4XX	9	Screw flange
3.50	300	8	ESC350VK-XXP	30	Lock flange	5.08	300	12	0229-F5XX	9	Lock flange
3.50	300	8	ESC350VM-XXP	30	Screw flange	5.08	300	12	0229-F5XXY	101	Lock flange
3.50	300	8	ESC350V-XXP	30		5.08	300	12	0229-F9XX	10	
3.81	300	8	0221-42XX	21		5.08	300	12	0229-F9XXY	101	
3.81	300	8	0221-43XX	21	Screw flange	5.08	300	12	0229-FAXX	10	Release tool
3.81	300	8	0221-44XX	21	Lock flange	5.08	300	12	0229-M5XXY	101	Assembly
3.81	300	8	ESC381V-XXP	30		5.08	300	12	0229-M9XXY	101	Assembly
3.81	300	8	ESC381VK-XXP	30	Release tool	5.08	300	8	ESC508VM-XXP	32	Screw flange
3.81	300	8	ESC381VM-XXP	30	Screw flange	5.08	300	8	ESC508V-XXP	32	
5.00	300	10	0226-01XX	13	Screw flange/light pipe	5.08	300	10	0121-01XX	33	Screw flange / test holes
5.00	300	10	0226-02XX	13	Lock flange/light pipe	5.08	300	10	2ESDS-XXP	32	



## PID (Push-In Design) PCB Connectors

Pitch (mm)	Voltage (V)	Current (A)	Part number	Page	Remarks	Pitch (mm)	Voltage (V)	Current (A)	Part number	Page	Remarks
5.08	300	10	2ESDSM-XXP	32	Screw flange	7.50	600	15	0150-40XX	28	Lock flange beneath
5.08	300	10	2ESDSR-XXP	32		7.50	300	16	0234-30XX-MW	30	Lock flange
5.08	300	10	2ESDSRM-XXP	32	Screw flange	7.62	300	10	3ESDS-XXP	34	
5.08	300	10	2ESDSV-XXP	33		7.62	300	10	3ESDSM-XXP	34	Screw flange
5.08	300	10	2ESDSVK-XXP	33	Release tool	7.62	300	10	3ESDSR-XXP	34	
5.08	300	10	2ESDSVM-XXP	33	Screw flange	7.62	300	10	3ESDSRM-XXP	34	Screw flange
5.08	300	10	2ESRK-XXP	25	Release tool	7.62	300	18	3ESDSRH-XXP	34	
5.08	300	10	2ESRM-XXP	25	Screw flange	7.62	300	18	3ESDSRH-XXP	34	Screw flange
5.08	300	10	2ESR-XXP	25							
5.08	300	10	2ESV-XXP	25							
5.08	300	10	2ESVK-XXP	25	Release tool						
5.08	300	10	2ESVM-XXP	25	Screw flange						
5.08	300	10	2ESDB-XXP	106							
5.08	300	10	2ESDBM-XXP	106	Screw flange						
5.08	300	12	2ESDBA-XXP	106							
5.08	300	12	2ESDBAM-XXP	106	Screw flange						
5.08	300	15	2ESS-XXP	24							
5.08	300	15	2ESSM-XXP	24	Screw flange						
5.08	300	16	0150-20XX	27	Lock flange beneath						
5.08	300	16	0150-21XX	27	Lock flange beneath						
6.35	600	20	0150-30XX	28	Lock flange beneath						
6.35	600	20	0150-31XX	28	Lock flange beneath						



## Sockets (Headers) For PID connectors

Pitch (mm)	Voltage (V)	Current (A)	Part number	Page	Remarks	Pitch (mm)	Voltage (V)	Current (A)	Part number	Page	Remarks
2.54	150	5	0156-10XX	2	Threaded flange/release tool	3.50	150	8	0159-13XXL	8	THR
2.54	150	5	0156-10XXL	2	THR	3.50	150	8	0159-13XXLWR	72	Tape on reel packaging
2.54	150	5	0156-12XX	3	Threaded flange/release tool	3.50	150	8	0159-13XXWR	72	Tape on reel packaging
2.54	150	5	0156-12XXL	3	THR	3.50	150	8	0159-33XX	8	
2.54	150	5	0156-13XX	3	Threaded flange/release tool	3.50	150	8	0159-33XXL	8	THR
2.54	150	5	0156-13XXL	3	THR	3.50	150	8	0159-33XXLWR	72	Tape on reel packaging
2.54	150	5	0156-15XX	2	Lock flange	3.50	150	8	0159-33XXWR	72	Tape on reel packaging
2.54	150	5	0156-15XXL	2	THR	3.50	150	10	0156-20XX-BK	5	
2.54	150	5	0156-16XX	3	THR	3.50	150	10	0156-20XX-BK-WR	72	Tape on reel packaging
2.54	150	5	0156-16XXL	3		3.50	150	10	0156-20XXL	5	THR
2.54	150	5	0156-17XX	3		3.50	150	10	0156-20XXLWR	72	Tape on reel packaging
2.54	150	5	0156-17XXL	3		3.50	150	10	0156-21XX-BK	5	Threaded flange/release tool
2.54	150	5	0156-18XX	3		3.50	150	10	0156-21XX-BK-WR	72	Tape on reel packaging
2.54	150	5	0156-18XXL	3		3.50	150	10	0156-21XXL	5	THR
2.54	150	5	0156-19XX	3		3.50	150	10	0156-21XXLWR	72	Tape on reel packaging
2.54	150	5	0156-19XXL	3		3.50	150	10	0156-22XX-BK	6	Threaded flange/release tool
2.54	150	6	0157-10XXL	4		3.50	150	10	0156-22XXL	6	THR
2.54	150	6	0157-15XXL	4	THR	3.50	150	10	0156-24XX-BK	5	Lock flange
3.50	150	8	0159-13XX	8	Threaded flange/release tool	3.50	150	10	0156-24XX-BK-WR	72	Tape on reel packaging



# Table of Contents

## PID & Screw Connection Plugs & Pin Strips

Pitch (mm)	Voltage (V)	Current (A)	Part number	Page	Remarks	Pitch (mm)	Voltage (V)	Current (A)	Part number	Page	Remarks
3.50	150	2	0191-01XX	36		5.00	300	7	ED130F-XXP	35	
3.50	150	2	0191-01XXC	36	With cover	5.00	300	7	EDH130F-XX/12.6	35	Pin strip
3.50	150	2	0191-11XXTH	36	Pin strip, THR	5.00	300	7	EDH130F-XXTH126	35	Pin strip, THR
3.50	300	8	0191-06XX	35		5.00	300	7	EDH130S-20XXTH126	36	
3.50	300	8	0191-06XXC	35	With cover	5.00	300	12	ED130R-XXP	35	Pin strip, THR
3.50	300	8	0191-16XXTH	35	Pin strip, THR	5.00	300	12	EDH130-21XX	35	Pin strip
4.00	300	10	0162-01XX	37		5.00	300	12	EDH130-21XXTH126	35	Pin strip, THR
4.00	300	10	0162-11XX	37	Pin socket	5.08	300	10	0164-01XX	37	
4.00	300	10	0162-A1XX	37		5.08	300	10	0164-01XX(T)	37	
4.00	300	10	0162-06XX	37		5.08	300	10	0164-11XX	37	Pin socket
4.00	300	10	0162-A6XX	37		5.08	300	10	0164-11XXL	37	Pin socket, THR
5.00	300	2	0191-02XX	36		5.08	300	10	0164-A1XX	37	
5.00	300	2	0191-02XXC	36	With cover	5.08	300	10	0164-A1XX(T)	37	
5.00	300	2	0191-12XXTH	36	Pin strip, THR	5.08	300	10	0164-02XX	37	
5.00	300	5	0191-04XX	36		5.08	300	10	0164-12XX	37	Pin socket
5.00	300	5	0191-04XXC	36	With cover	5.08	300	10	0164-12XXL	37	Pin socket, THR
5.00	300	7	0191-05XX	36		5.08	300	10	0164-A2XX	37	

## PID & Screw Connection Inverted headers

Pitch (mm)	Voltage (V)	Current (A)	Part number	Page	Remarks	Pitch (mm)	Voltage (V)	Current (A)	Part number	Page	Remarks
3.50	300	8	EC350CV-XXP	97		5.08	300	12	2ESDCVM-XXP	97	Threaded flange
3.50	300	8	EC350CR-XXP	97		5.08	300	12	2ESH-XXP	98	
3.81	300	8	EC381CV-XXP	98		5.08	300	12	2ESHM-XXP	98	Screw flange/inverted contact
3.81	300	8	EC381CR-XXP	98		7.62	300	41	EC762CR-XXP	99	
3.81	300	8	ECSH381V-XXP	98	Inverted contact	7.62	600	41	ECSH762V-XXP	99	Screw flange
3.81	300	8	ECSH381VM-XXP	98	Screw flange/inverted contact	7.62	600	41	ECSH762FS-XXP	99	Mounting flange
3.81	300	8	ECSH381K-XXP	98		7.62	600	41	ECSH762SS-XXP	99	Mounting flange
3.81	300	8	ECSH381MK-XXP	98	Screw flange	10.16	300	51	EC116CV-XXP	100	
5.00	300	15	0161-11XX	105	Screw flange/inverted contact	10.16	300	51	EC116CVM-XXP	100	Screw flange
5.00	300	15	0161-12XX	105	Lock flange/inverted contact	10.16	600	51	ECSH116V-XXP	100	Threaded flange
5.00	300	15	0161-13XX	105	Inverted contact	10.16	600	51	ECSH116VM-XXP	100	Screw flange/inverted contact
5.00	300	15	0161-14XX	105	Release tool/inverted contact	10.16	600	51	ECSH116M-XXP	102	Screw flange/inverted contact
5.08	300	12	2ESDCR-XXP	97		10.16	600	51	ECSH116MK-XXP	102	Screw flange/inverted contact
5.08	300	12	2ESDCRM-XXP	97	Threaded flange	10.16	600	51	ECSH116K-XXP	100	Screw flange/inverted contact
5.08	300	12	2ESDCV-XXP	97		10.16	600	51	0187-A4XX	106	

## Screw Connection PCB Connectors

Pitch (mm)	Voltage (V)	Current (A)	Part number	Page	Remarks	Pitch (mm)	Voltage (V)	Current (A)	Part number	Page	Remarks
3.50	300	8	EC350V-XXP	39		3.50	300	8	EC350RLM-XXP	39	Screw flange
3.50	300	8	EC350VM-XXP	39	Screw flange	3.50	300	8	EC350F-XXP	40	
3.50	300	8	EC350R-XXP	39		3.50	300	8	EC350FM-XXP	40	Screw flange
3.50	300	8	EC350RM-XXP	39	Screw flange	3.81	300	8	EC381V-XXP	39	
3.50	300	8	EC350RL-XXP	39	With strain relief	3.81	300	8	EC381R-XXP	39	



## Screw Connection PCB Connectors

Pitch (mm)	Voltage (V)	Current (A)	Part number	Page	Remarks	Pitch (mm)	Voltage (V)	Current (A)	Part number	Page	Remarks
3.81	300	8	EC381RL-XXP	39		7.50	300	15	7ESDPL-XXP	47	
3.81	300	8	EC381L-XXP	41	With strain relief	7.50	300	15	7ESDPLM-XXP	47	Screw flange
3.81	300	8	EC381VM-XXP	39	Screw flange	7.62	300	15	3ESDV-XXP	47	
3.81	300	8	EC381VK-XXP	41	Release tool	7.62	300	15	3ESDVM-XXP	47	Screw flange
3.81	300	8	EC381RM-XXP	39	Screw flange	7.62	300	15	3ESDP-XXP	47	
3.81	300	8	EC381RLM-XXP	39	Screw flange	7.62	300	15	3ESDPM-XXP	47	Screw flange
3.81	300	8	EC381LM-XXP	41	Screw flange	7.62	300	15	3ESDPL-XXP	47	
3.81	300	8	EC381F-XXP	40		7.62	300	15	3ESDPLM-XXP	47	Screw flange
3.81	300	8	EC381FM-XXP	40	Screw flange	7.62	300	30	EC762V-XXP	52	
5.00	300	15	5ESDV-XXP	43		7.62	300	30	EC762VN-XXP	52	Without hook
5.00	300	15	5ESDVM-XXP	43	Screw flange	7.62	300	30	EC762VM-XXP	52	Screw flange
5.00	300	15	5ESDP-XXP	43		7.62	300	30	EC762VNM-XXP	52	Screw flange
5.00	300	15	5ESDPM-XXP	43	Screw flange	7.62	600	15	3ESNP-XXP	51	
5.00	300	15	5ESDPL-XXP	44		7.62	600	15	3ESNPL-XXP	51	
5.00	300	15	5ESDPLM-XXP	44	Screw flange	7.62	600	15	3ESNPLS-XXP	51	
5.00	300	15	5ESDA-XXP	43		7.62	600	15	3ESNPLM-XXP	51	Screw flange
5.00	300	15	5ESDAM-XXP	43	Screw flange	7.62	600	15	3ESNPLSM-XXP	51	Screw flange
5.00	300	15	5ESDF-XXP	42		7.62	600	15	3ESNPM-XXP	51	Screw flange
5.00	300	15	5ESDFM-XXP	42	Screw flange	7.62	600	15	3ESNPS-XXP	51	
5.00	300	15	5ESDT-XXP	41		7.62	600	15	3ESNPSM-XXP	51	Screw flange
5.00	300	15	5ESDTS-XXP	41	With test hole	7.62	600	18	3ESNPHL-XXP	50	
5.08	300	12	EC508V-XXP	42		7.62	600	18	3ESNPHLM-XXP	50	Screw flange
5.08	300	12	EC508VM-XXP	42	Screw flange	7.62	600	18	3ESNPH-XXP	50	
5.08	300	12	EC508F-XXP	42		7.62	600	18	3ESNPHM-XXP	50	Screw flange
5.08	300	12	EC508FM-XXP	42	Screw flange	7.62	600	20	3ESDVH-XXP	48	High current
5.08	300	15	2ESDA-XXP	45		7.62	600	20	3ESDVHM-XXP	48	High current, screw flange
5.08	300	15	2ESDAM-XXP	45	Screw flange	7.62	600	25	0183-01XX	53	
5.08	300	15	2ESDV-XXP	45		7.62	600	25	0183-01XXTXX	53	
5.08	300	15	2ESDVM-XXP	45	Screw flange	7.62	600	25	3ESNVH-XXP	50	High current
5.08	300	15	2ESDVNM-XXP	46		7.62	600	25	3ESNVHM-XXP	50	High voltage, screw flange
5.08	300	15	2ESDP-XXP	45		7.62	600	40	EC762H-XXP	53	High current
5.08	300	15	2ESDPM-XXP	45	Screw flange	7.62	600	40	EC762HM-XXP	53	High voltage, screw flange
5.08	300	15	2ESDPL-XXP	46		7.62	600	40	EC762HV-XXP	52	High voltage
5.08	300	15	2ESDPLM-XXP	46	Screw flange	7.62	600	40	EC762HVM-XXP	52	High voltage, screw flange
5.08	300	15	2ESDF-XXP	43		7.62	600	40	EC762HVN-XXP	52	High voltage
5.08	300	15	2ESDFM-XXP	43	Screw flange	7.62	600	40	EC762HVM-XXP	52	High voltage, screw flange
5.08	300	15	2ESDL-XXP	46		7.62	600	41	EC762HLNM-XXP	53	Screw flange
5.08	300	15	2ESDVS-03P	45		10.16	600	51	EC116V-XXP	54	
5.08	300	16	2ESDVB-XXP	104		10.16	600	51	EC116VM-XXP	55	Screw flange
5.08	300	16	2ESDVBM-XXP	104	Screw flange	15.00	600	115	EC150VM	55	Screw flange
5.08	300	20	2ESDVH-XXP	44	High current						
7.50	300	15	7ESDV-XXP	47							
7.50	300	15	7ESDVM-XXP	47	Screw flange						
7.50	300	15	7ESDP-XXP	47							
7.50	300	15	7ESDPM-XXP	47	Screw flange						



# Table of Contents



## Sockets (Headers) for Screw Connection PCB Connectors

Pitch (mm)	Voltage (V)	Current (A)	Part number	Page	Remarks	Pitch (mm)	Voltage (V)	Current (A)	Part number	Page	Remarks
7.50	300	15	7EHDVM-XXP	66	Threaded flange	7.62	300	30	ECH762RM-XXP	67	Threaded flange
7.50	300	15	7EHDR-XXP	66		7.62	300	30	ECH762RR-XXP	67	
7.50	300	15	7EHDRC-XXP	66		7.62	300	30	ECH762RRM-XXP	67	Threaded flange
7.50	300	15	7EHDRM-XXP	66	Threaded flange	7.62	300	30	ECH762VTM-XXP	67	Threaded flange
7.62	300	25	0183-11XX	53		7.62	300	30	ECH762RTM-XXP	67	Threaded flange
7.62	300	25	0183-11XXTXX	53		7.62	600	40	ECH762HR-XXP	68	
7.62	300	15	3EHDV-XXP	66		7.62	600	40	ECH762HRM-XXP	68	Threaded flange
7.62	300	15	3EHDV-XXPWR	75	Tape on reel packaging	7.62	600	40	ECH762HRR-XXP	68	
7.62	300	15	3EHDVC-XXP	66		10.16	300	51	ECH116V-XXP	54	
7.62	300	15	3EHDVC-XXPWR	75	Tape on reel packaging	10.16	300	51	ECH116R-XXP	54	
7.62	300	15	3EHDVM-XXP	66	Threaded flange	10.16	300	51	ECH116L-XXP	54	
7.62	300	15	3EHDVM-XXPWR	75	Tape on reel packaging	10.16	300	51	ECH116RM-XXP	55	Threaded flange
7.62	300	15	3EHDR-XXP	66		10.16	600	51	ECH116HVS-XXP	54	
7.62	300	15	3EHDR-XXPWR	75	Tape on reel packaging	10.16	600	51	ECH116HVM-XXP	55	Threaded flange
7.62	300	15	3EHDRC-XXP	66		10.16	600	51	ECH116HRS-XXP	54	
7.62	300	15	3EHDRC-XXPWR	75	Tape on reel packaging	10.16	600	51	ECH116HRSM-XXP	55	Threaded flange
7.62	300	15	3EHDRM-XXP	66	Threaded flange	15.00	600	115	ECH150RM-XXP	55	Threaded flange
7.62	300	15	3EHDRM-XXPWR	75	Tape on reel packaging						
7.62	300	30	ECH762V-XXP	67							
7.62	300	30	ECH762R-XXP	67							
7.62	300	30	ECH762VM-XXP	67	Threaded flange						

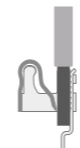
## Feed Through Headers

Pitch (mm)	Voltage (V)	Current (A)	Part number	Page	Remarks	Pitch (mm)	Voltage (V)	Current (A)	Part number	Page	Remarks
3.81	300	8	ECHP381V-XXP	69	Solder/Slip-on connection	5.00	300	15	5EHDK-XXP/1.2	70	Lock flange
5.00	300	15	5EHDKM-XXP/1.0	69	Threaded flange	5.00	300	15	5EHDK-XXP/1.4	70	Lock flange
5.00	300	15	5EHDKM-XXP/1.2	70	Threaded flange	5.00	300	15	5EHDK-XXP/1.6	70	Lock flange
5.00	300	15	5EHDKM-XXP/1.4	70	Threaded flange	5.08	300	15	2EHDP-XXP	69	Solder/Slip-on connection
5.00	300	15	5EHDKM-XXP/1.6	70	Threaded flange	5.08	300	15	2EHDPN-XXP	70	Solder/Slip-on connection
5.00	300	15	5EHDKPM-XXP	70	Threaded flange	7.62	300	30	ECHP762V-XXP	70	Solder/Slip-on connection
5.00	300	15	5EHDK-XXP/1.0	69	Lock flange						



## PID (Push-In Design) PCB Terminal Blocks

Pitch (mm)	Voltage (V)	Current (A)	Part number	Page	Remarks	Pitch (mm)	Voltage (V)	Current (A)	Part number	Page	Remarks
2.50	150	2	0136-11XX	78		2.54	150	5	141V-XXP	78	
2.50	150	5	0188-01XXL	77	THR	3.50	300	5	0137-40XX	79	
2.50	150	5	0188-01XXSMDWR	77	THR	3.50	300	5	0137-41XX	79	
2.50	150	5	0188-02XXL	77	THR	3.50	300	6	0136-20XX	79	
2.50	150	5	0188-02XXSMDWR	77	THR	3.50	300	6	0136-21XX	79	
2.50	300	2	0136-10XX	78		3.50	300	6	0136-22XX	79	
2.54	150	5	0138-10XX	78		3.50	300	6	0136-23XX	79	
2.54	150	5	0138-11XX	78		3.50	300	9	0151-01XX	80	
2.54	150	5	141R-XXP	78		3.50	300	9	0151-02XX	80	



## PID (Push-In Design) PCB Terminal Blocks

Pitch (mm)	Voltage (V)	Current (A)	Part number	Page	Remarks	Pitch (mm)	Voltage (V)	Current (A)	Part number	Page	Remarks
3.50	300	10	0151-01XXL	80	THR	5.00	300	10	0141-21XX	81	
3.50	300	10	0151-02XXL	80	THR	5.00	300	10	0141-24XX	81	
3.50	300	10	0177-31XX	83		5.08	300	10	142R-XXP	82	
3.50	300	10	0177-33XX	83		5.08	300	10	142V-XXP	82	
3.50	300	10	0185-11XX	80		5.08	300	12	0138-60XX	81	
3.50	300	10	0185-12XX	80		5.08	300	12	0138-60XXL	81	THR
3.50	300	12	0138-50XX	79		5.08	300	12	0138-61XX	81	
3.50	300	12	0138-50XXL	79	THR	5.08	300	12	0138-61XXL	81	THR
3.50	300	12	0138-50XXSMDWR	78	THR	6.35	600	25	0177-76XX	84	
3.50	300	12	0138-51XX	79		6.35	600	25	0177-78XX	84	
3.50	300	12	0138-51XXL	79		7.5	300	36	0177-81XX	83	
3.81	300	10	0141-01XX	80		7.5	300	36	0177-83XX	83	
3.81	300	10	0141-22XX	80		7.5	600	36	0177-86XX	83	
3.81	300	12	0138-42XXL20	80		7.5	600	36	0177-88XX	83	
5.00	300	10	0188-12XXSMD	78		10	300	65	0177-03XX	84	
5.00	300	10	0137-11XX	81		10	600	20	0153-41XX	82	
5.00	300	10	0138-70XX	82		10	600	66	0177-06XX	84	
5.00	300	10	0138-76XX	82		10	600	66	0177-08XX	84	
5.00	300	10	0152-01XX	81		15	600	101	0177-B3XX	84	
5.00	300	10	0152-02XX	82							
5.00	300	10	0185-31XX	81							
5.00	300	10	0185-32XX	81							
5.00	300	20	0153-01XX	82							
5.00	300	20	0153-02XX	82							
5.00	300	20	0153-91XX	82							
5.00	300	20	0177-51XX	84							
5.00	300	20	0177-53XX	84							



## Screw Connection PCB Terminal Blocks

Pitch (mm)	Voltage (V)	Current (A)	Part number	Page	Remarks	Pitch (mm)	Voltage (V)	Current (A)	Part number	Page	Remarks
2.54	150	10	EK254V-XXP	85		5.00	300	13.5	ELK500S-XXP	86	Low profile
3.50	300	10	EK350V-XXP	86		5.00	300	13.5	ELK500B-XXP	86	Low profile
3.50	300	10	EK350V4L-XXP	86	Double decked	5.00	300	20	EK500V-XXP	87	
3.81	300	10	EHK381V-XXP	85		5.00	300	20	EK500R-XXP	87	
3.81	300	12	EK381V-XXP	86		5.00	300	20	EK500A-XXP	87	
3.81	300	12	EK381V3L-XXP	86	Triple decked	5.00	300	20	EHK500R-XXP	88	
3.81	300	12	EK381V4L-XXP	85	Double decked	5.00	300	20	EHK5V3L-XXP	87	
3.81	300	12	EEK381V-XXP	86		5.00	300	20	EK500V2L-XXP	88	Double decked
3.81	300	12	EESK381V-XXP	85	High profile	5.00	300	20	EK500V3L-XXP	88	Triple decked
3.81	300	12	E3K381V-XXP	86	High profile	5.00	300	20	EK500V4L-XXP	88	
3.81	300	12	ESK381V-XXP	86		5.00	300	20	EEK500V-XXP	87	
3.81	300	12	ESK381R-XXP	86		5.00	300	20	E2HK500V-XXPAM	88	High profile
3.81	300	12	ESK381V4L-XXP	85	Double decked	5.00	300	20	E3K500V-XXP	87	High profile
5.00	300	13.5	ELK500V-XXP	86	Low profile	5.00	300	25	EHK5V-XXP	88	

# Table of Contents



## Screw Connection PCB Terminal Blocks

Pitch (mm)	Voltage (V)	Current (A)	Part number	Page	Remarks	Pitch (mm)	Voltage (V)	Current (A)	Part number	Page	Remarks
5.00	300	20/26	DT-123RA-XXP	93		7.50	300	20	EK750V-XXP	90	
5.00	300	20/26	DT-123VA-XXP	93		7.50	300	25	EHK7V-XXP	89	
5.08	300	13.5	ELK508S-XXP	88		7.50	300	20/26	DT-123RA-XXP3	93	
5.08	300	13.5	ELK508V-XXP	87		7.50	300	20/26	DT-123VA-XXP3	93	
5.08	300	13.5	E2LK508V-XXP	88		7.50	300	30	ESK750V-XXP	90	
5.08	300	13.5	EELK508V-XXP	87	Double decked	7.50	600	20	DT-123HVR-XXP	94	
5.08	300	20	EK508V-XXP	88		7.62	300	25	EHK3V-XXP	92	
5.08	300	20	EK508R-XXP	88		7.62	300	30	DT-2320-XXP	94	
5.08	300	20	EK508A-XXP	87		7.62	300	30	DT-2321-XXP	94	
5.08	300	20	EK508V2L-XXP	89	Double decked	7.62	300	30	ESK762V-XXP	91	
5.08	300	20	EK508V3L-XXP	89	Triple decked	7.62	300	30	EKB762V-XXP	91	
5.08	300	20	EK508V4L-XXP	89	Double decked	9.52	300	30	EK950V-XXP	91	
5.08	300	20	ESK508V3L-XXP	89	Triple decked	9.52	600	30	EK950HVN-XXP	91	
5.08	300	20	ESK508V4L-XXP	89	Double decked	10.00	300	65	PDS-10S-XX	94	
5.08	300	20	EEK508V-XXP	90	High profile	10.00	300	65	PDS-10-XX	94	
5.08	300	20	E3K508V-XXP	90	High profile	10.00	300		PDS-10A-XX	94	
5.08	300	23	ESK508V-XXP	90		10.00	300		PDS-10SA-XX	94	
5.08	300	25	EHK2V-XXP	89		10.16	300	65	ESKW116V-XXP	92	
5.08	300	25	EHK508V2L-XXP	90	Double decked	10.16	600	57(sol)/65(str)	EPK116VS-XXP	91	
5.08	300	25	EHK508V3L-XXP	90	Triple decked	10.16	600	57/65	EPK116VN-XXP	91	
5.08	300	25	E2HK508V-XXPAM	90	High profile	10.16	300/600	65/5	ESK116R-XXPAM	92	
5.08	300	25	EEHK508V-XXP	89	Double decked	10.16	300/600	65/5	ESK116V-XXP	92	
6.35	300	30	DT-2300-XXP	93		15.00	600	115	ESK150VM-XXP	91	
6.35	300	30	DT-2301-XXP	93		15.00	600	115	ESK150V-XXP	91	
6.35	300	30	ESK635V-XXP	90		17.5	600	160	ESK175VM-XXP	92	
6.35	300	30	EKB635V-XXP	90	Double decked	17.5	600	160	ESK175V-XXP	92	
6.35	600	35	EPK635VN-XXP	89		20.00	600	200	ESK200VM-XXP	92	



## Spring Clamp Connection PCB Terminal Blocks

Pitch (mm)	Voltage (V)	Current (A)	Part number	Page	Remarks	Pitch (mm)	Voltage (V)	Current (A)	Part number	Page	Remarks
2.50	300	4	WKA250A-XXP	95		5.08	300	10	W4K508-XXP	96	
2.50	300	4	WKV250A-XXP	96		7.50	300	30	WSKA750S-XXP	96	
2.54	300	4	WKA254A-XXP	96		10.00	300	57	WSKA100-XXP	96	
2.54	300	4	WKV254A-XXP	96							
5.00	300	10	WKA50B-XXP	95							
5.00	300	10	WKK500-XXP	96							
5.00	300	10	W3K500-XXP	96							
5.00	300	10	W4K500-XXP	96							
5.00	300	15	WKA500-XXP	95							
5.00	300	15	WKA500-XXPL	95	THR						
5.00	300	15	WSKA500S-XXP	95							
5.08	300	15	WKA508-XXP	95							
5.08	300	10	WKK508-XXP	96							
5.08	300	10	W3K508-XXP	96							



## PCB Terminal Blocks for I/O Enclosures

Pitch (mm)	Voltage (V)	Current (A)	Part number	Page	Remarks	Pitch (mm)	Voltage (V)	Current (A)	Part number	Page	Remarks
3.81	150	8	BST-111-05	107		5.00	300	20	0189-202PL	109	
3.81	150	8	BST-112-05	107		5.00	300	20	0189-202PR	110	
3.81	150	8	BST-120-05	107		5.00	300	20	0189-203PL	109	
3.81	150	8	BST-220-05	107		5.00	300	20	0189-203PR	110	
5.00	300	10	5ES-2PL	109		5.00	300	20	0189-204PL	109	
5.00	300	10	5ES-2PR	110		5.00	300	20	0189-204PR	110	
5.00	300	10	5ES-3PL	109		5.00	300	20	0189-212PL	109	
5.00	300	10	5ES-3PR	110		5.00	300	20	0189-212PR	110	
5.00	300	10	5ES-4PL	109		5.00	300	20	0189-213PL	109	
5.00	300	10	5ES-4PR	110		5.00	300	20	0189-213PR	110	
5.00	300	15	5EH-2PL	109		5.00	300	20	0189-214PL	109	
5.00	300	15	5EH-2PLL	109	THR	5.00	300	20	0189-214PR	110	
5.00	300	15	5EH-2PR	110		5.08	300	8	0228-21XX	108	
5.00	300	15	5EH-2PRL	110	THR	5.08	300	8	0228-22XX	108	
5.00	300	15	5EH-3PL	109		5.08	300	8	0228-23XX	108	
5.00	300	15	5EH-3PLL	109	THR	7.50	300	20	7ES-3PL	111	
5.00	300	15	5EH-3PR	110		7.50	300	20	7ES-3PR	111	
5.00	300	15	5EH-3PRL	110	THR	9.00	300	8	0171-10XX	108	Light pipe
5.00	300	15	5EH-4PL	109		9.00	300	8	0171-11XX	108	Light pipe
5.00	300	15	5EH-4PLL	109	THR	9.00	300	8	0171-60XX	108	
5.00	300	15	5EH-4PR	110		12.50	300	15	0171-20XX	108	Light pipe
5.00	300	15	5EH-4PRL	110	THR	12.50	300	15	0171-21XX	108	Light pipe

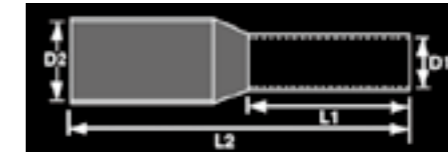
## DEG/DMEN Electronic Housing & DMER Component Housing

Pitch (mm)	Voltage (V)	Current (A)	Part number	Page	Remarks	Pitch (mm)	Voltage (V)	Current (A)	Part number	Page	Remarks
	500	10	DEG-02P	112			250	15	DMEN-S2P	113	
	500	10	DEG-04P	112			250	15	DMEN-S3P	113	
	300	12	DEGM-03P	112			250	15	DMEN-S4P	113	
	300	12	DEGM-06P	112			250	15	DMEN-T2P	113	
	250	12	DEGM-12P	112			250	15	DMEN-T3P	113	
	500	10	DEGH-03P	113			250	15	DMEN-T4P	113	
	500	10	DEGH-06P	113			250	15	DMES-T2P	113	
	250	15	DMUG-22	113					DMER-10	114	
	250	15	DMUG-45	113			300	20	DMER-41	114	





# Wire Ferrules



Unit:mm

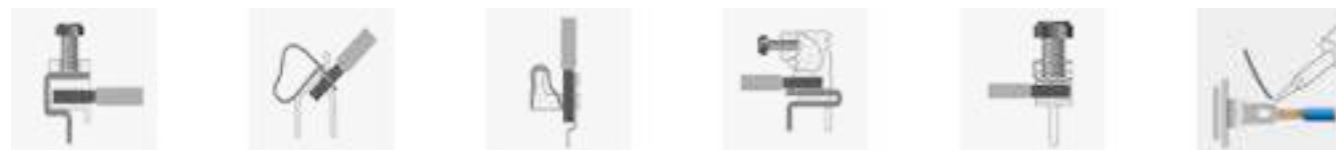
## Barrier Type Terminal Blocks

Pitch (mm)	Voltage (V)	Current (A)	Part number	Page	Remarks	Pitch (mm)	Voltage (V)	Current (A)	Part number	Page	Remarks
<b>Barrier Type Panel Feed Through Terminal Blocks</b>											
21.00	600	130	0168-51XX	141		27.00	600	175	0168-63XX	143	
21.00	600	130	0168-54XX	142		27.00	600	175	0168-65XX	143	
27.00	600	175	0168-62XX	143							
<b>Quick Terminals / Tabs</b>											
3.40		20	P-620	146		9.50		25	DS-401	145	
5.00		30	P-850	145		10.80		85	P-830	146	
5.00		30	P-851	145		10.80		85	P-831	146	
5.08		30	P-610	146		11.00		25	DS-601	145	
5.08		30	P-860	145		13.00		40	DS-701	145	
5.08		30	P-861	145		13.00		40	DS-701R	145	
5.08		30	P-871	145		15.40		150	P-840	146	
5.08		30	P-872	145					S000001100-F	146	
7.00		50	P-820	146					S000001200-F	146	
7.50		80	P-810	146					S000004700-F	146	
7.62		15	DS-201	145					S000008400-F	146	
8.25		20	DS-301	145							

## Accessories

Part number	Page	Remarks	Part number	Page	Remarks
0159K1L	8	Key coding	ESDK1	54	Key coding
0225K1	12	Key coding	ESDK2	54	Key coding
0225K2L	12	Key coding	SDH-002	28	Wire entry tool
0225K3	12	Key coding	SDH-003	28	Wire entry tool
0225K4L	12	Key coding			
0227K1	15	Key coding			
0227K2L	16	Key coding			
CSC-01XX	54	Jumper			
ECHK1	54	Key coding			
ECHK1L	54	Key coding, THR			
ECHK2	54	Key coding			
EHDK1	54	Key coding			
EHDK1L	54	Key coding, THR			

## Connection methods



Screw connection


Spring clamp connection

Push-in design

Front screw connection

Wire protector type

Iron soldering

Part No.	Wire Range		Dimension Unit: mm <sup>2</sup>		Dimension Unit: mm		DIN Color	Package		Tools
	AWG	mm <sup>2</sup>	D1	D2	L1	L2		pcs/bag	bags/box	
DN00206D	24	0.2	0.75	1.9	6	10	Light Blue	1000	10	<p><b>Note:</b> The wire diameter of the table is determined according to UL486E, IEC998-1 and IEC947-7. Please refer to the table to select suitable ferrules. All recommended ferrules in this catalogue are in accordance with this table.</p>  <p>DNT13-0102 28-7 AWG 0.08-10 mm<sup>2</sup></p>
DN00208D					8	12				
DN00306D	22	0.34	0.8	1.9	6	10	Turquoise	1000	10	
DN00308D					8	12				
DN00506D	20	0.5	1	2.6	6	12	White	500	8	
DN00508D					8	14				
DN00510D					10	16				
DN00706D					6	12				
DN00708D	18/20	0.75	1.2	2.8	8	14	Grey	500	8	
DN00710D					10	16				
DN00712D					12	18				
DN01006D	18	1	1.4	3	6	12	Red	500	6	
DN01008D					8	14				
DN01010D					10	16				
DN01012D					12	18				
DN01508D	16	1.5	1.7	3.5	8	14	Black	500	4	
DN01510D					10	16				
DN01512D					12	18				
DN01518D					18	24				
DN02508D	14	2.5	2.2	4.2	8	14	Blue	500	3	
DN02510D					10	16				
DN02512D					12	18				
DN02518D					18	24				
DN04010D	12	4	2.8	4.8	10	17	Grey	500	2	
DN04012D					12	20				
DN04018D					18	26				
DN06012D	10	6	3.5	6.3	12	20	Yellow	500	1	
DN06018D					18	26				
DN10012D	8	10	4.5	7.6	12	22	Red	200	1	
DN10018D					18	28				
DN16012D	6	16	5.8	8.8	12	22	Blue	200	1	
DN16018D					18	28				
DN25016D	4	25	7.3	11.2	16	30	Yellow	100	1	
DN25018D					18	30				
DN25022D					22	36				
DN35016D	2	35	8.3	12.7	16	30	Red	100	1	
DN35018D					18	32				
DN35025D					25	39				
DN50020D	1	50	10.3	15	20	36	Blue	50	1	
DN50025D					25	40				
DN70021D	2/0	70	13.5	16	21	37	Yellow	50	1	
DN95025D	3/0	95	14.7	18	25	44	Red	50		
DN96027D	4/0	120	16.7	20	27	48	Blue	20		
DN97032D	250kcmil	150	19.5	23	32	58	Yellow	20		









## Spring clamp connection PCB terminal blocks



Wire range	Terminal blocks	Page	Strip length	Applicable Ferrules				Wire range	Terminal blocks	Page	Strip length	Applicable Ferrules			
				Ferrule P/N	AWG	mm <sup>2</sup>	L1					Ferrule P/N	AWG	mm <sup>2</sup>	L1
AWG			mm								mm				
22~14	5ES-2PL	109	8	DN01508D	16	1.5	8	30~12	7ES-3PL	111	8	DN02508D	14	2.5	8
	5ES-3PL	109	8	DN01008D	18	1	8		7ES-3PR	111	8	DN01508D	16	1.5	8
	5ES-4PL	109	8	DN00708D	18/20	0.75	8					DN01008D	18	1	8
	5ES-2PR	110	8	DN00508D	20	0.5	8					DN00708D	18/20	0.75	8
	5ES-3PR	110	8	DN00308D	22	0.34	8					DN00508D	20	0.5	8
	5ES-4PR	110	8									DN00308D	22	0.34	8
											DN00208D	24	0.2	8	

## I/O enclosure terminal blocks



Wire range	Terminal blocks	Page	Strip length	Applicable Ferrules				Wire range	Terminal blocks	Page	Strip length	Applicable Ferrules			
				Ferrule P/N	AWG	mm <sup>2</sup>	L1					Ferrule P/N	AWG	mm <sup>2</sup>	L1
AWG			mm								mm				
28~16	0228-21XX	108	9	DN01010D	18	1	10	24~12	0189-202PL	109	11	DN02512D	14	2.5	12
	0228-22XX	108	9	DN00710D	18/20	0.75	10		0189-203PL	109	11	DN01512D	16	1.5	12
	0228-23XX	108	9	DN00510D	20	0.5	10		0189-204PL	109	11	DN01012D	18	1	12
28~16	0171-10XX	108	8	DN01008D	18	1	8		0189-212PL	109	11	DN00712D	18/20	0.75	12
	0171-11XX	108	8	DN00708D	18/20	0.75	8		0189-213PL	109	11				
	0171-60XX	108	8	DN00508D	20	0.5	8		0189-214PL	109	11				
				DN00308D	22	0.34	8		0189-202PR	110	11				
				DN00208D	24	0.2	8		0189-203PR	110	11				
24~12	0171-20XX	108	10	DN02510D	14	2.5	10		0189-204PR	110	11				
	0171-21XX	108	10	DN01510D	16	1.5	10		0189-212PR	110	11				
				DN01010D	18	1	10		0189-213PR	110	11				
				DN00710D	18/20	0.75	10		0189-214PR	110	11				
				DN00510D	20	0.5	10								

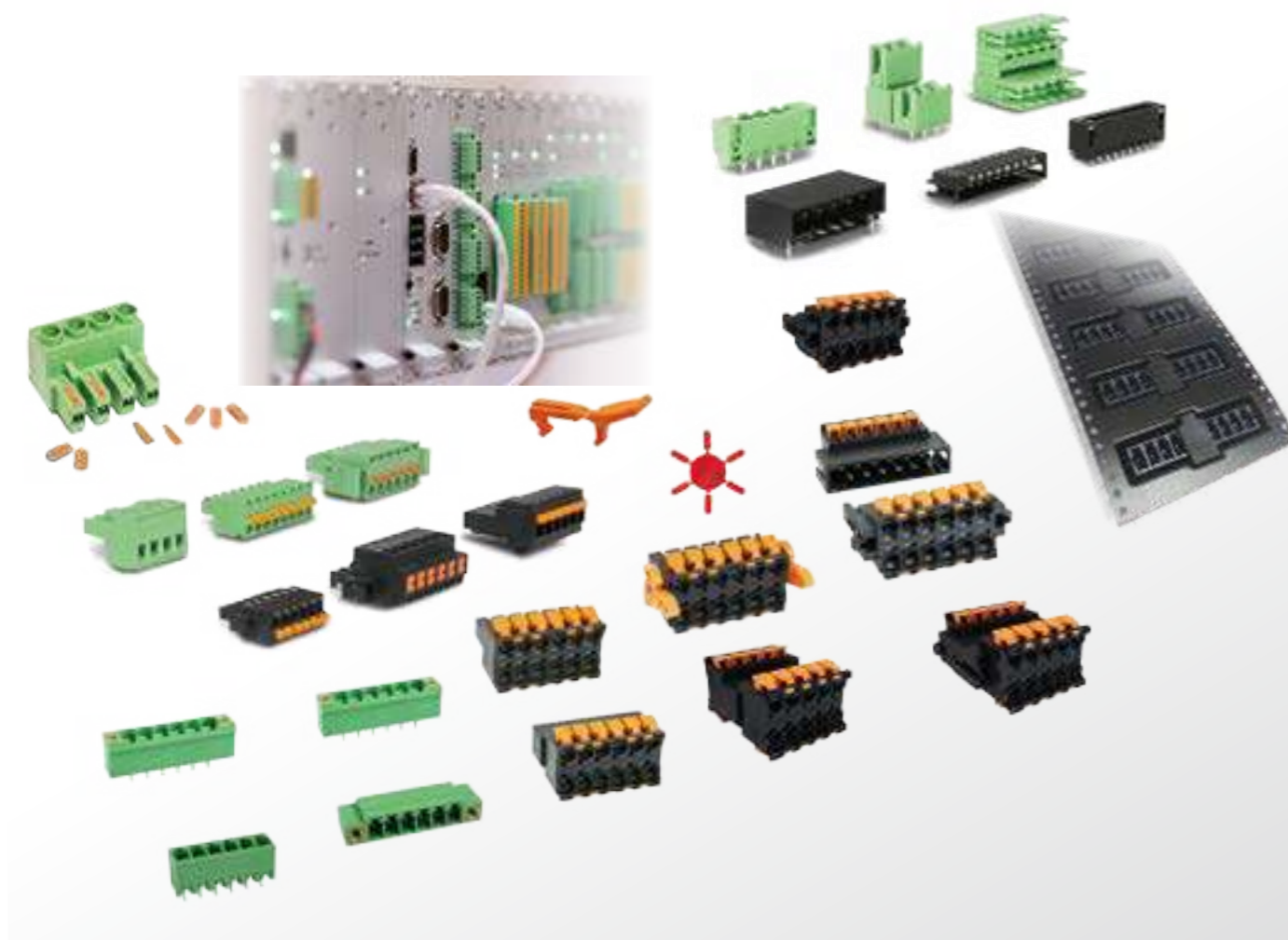
# PCB Connectors

PCB connectors are usually combined by 2 parts, the plug for wiring and the socket (header) for soldering onto PCB. Please consider the mechanical specifications such as dimensions, insulation material (for wave soldering or reflow soldering) and mounting means and the electrical properties focus on spacings and contact resistance. Dinkle PCB connectors meet UL1059 and IEC/EN61984 with safety approvals.

Dinkle PCB connector supplies push-in and screw connection methods to fulfill different connection demands. Pitches are from 2.5mm to 10.16mm with current from 2A up to 76A (IEC) for wide range in industrial fields.

The connection methods of the plugs includes push-in design (PID) and screw type. The users can decide the proper plug according to the installation and use conditions.

The sockets are supplied in general materials and high temperature withstand materials for the application of wave soldering or reflow soldering process. The socket part numbers with suffix "L" means it is made of high temperature withstand materials which is suitable for the reflow soldering process.



# PID (Push-In Design) Plugs & Sockets



**Connection technology- push-in design connection, for easy and flexible conductor connection**


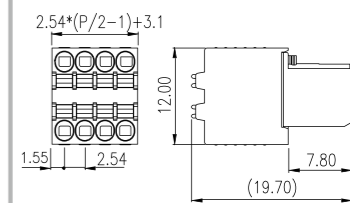
**Connection method: Push-in design**

**Pitch: 2.54mm / 3.50mm**


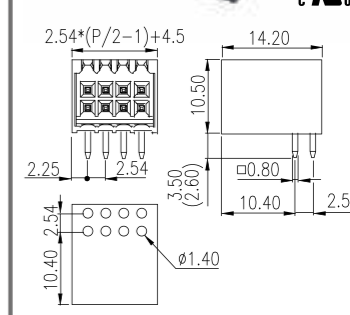
**UL Rated: 150V / 5A, 150V / 8A, 300V / 8A**

**IEC Rated: 250V / 8A, 320V / 6A, 320V / 8A, 320V / 10A**

- Vertical and parallel plug-in directions to PCB are available
- Compact double-level plug for high connection density
- Type of locking includes screw flange, lock flange and release tool
- THR version socket is available, pin length 2.6mm (The last suffix "L" represents THR version.)

2.54mm		0156-1BXX-BK	
Technical Data	UL	IEC	 
Rated voltage	150V	320V	
Rated current	5A	6A	
Solid (AWG/mm <sup>2</sup> )	30~20	0.2~0.5	
Flexible (AWG/mm <sup>2</sup> )	30~20	0.2~0.5	
Rated impulse voltage	2.5KV		
Wire strip length	7~8mm		
Number of Positions			
06~44P			


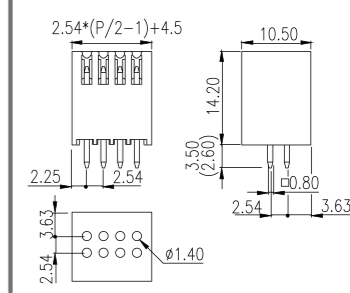
  

2.54mm		0156-15XX (0156-15XXL)	
Technical Data	UL	IEC	 
Rated voltage	150V	320V	
Rated current	5A	6A	
Rated impulse voltage	2.5KV		
Number of Positions			
06~44P			

For THR products, Surge voltage category/pollution degree III/2 II/2

Rated voltage 160 160

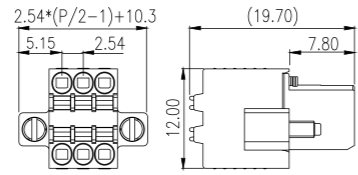
2.54mm		0156-10XX (0156-10XXL)	
Technical Data	UL	IEC	 
Rated voltage	150V	320V	
Rated current	5A	6A	
Rated impulse voltage	2.5KV		
Number of Positions			
06~44P			



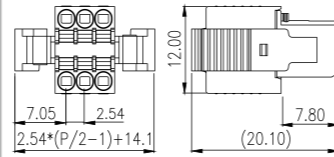
## 2.54mm

### 0156-1AXX-BK

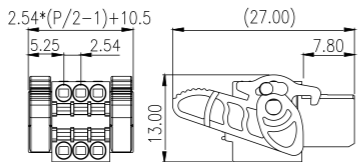
Technical Data	UL	IEC
Rated voltage	150V	320V
Rated current	5A	6A
Solid (AWG/mm <sup>2</sup> )	30-20	0.2-0.5
Flexible (AWG/mm <sup>2</sup> )	30-20	0.2-0.5
Rated impulse voltage	2.5KV	
Wire strip length	7-8mm	
Number of Positions		
04-44P		



### 0156-1CXX-BK



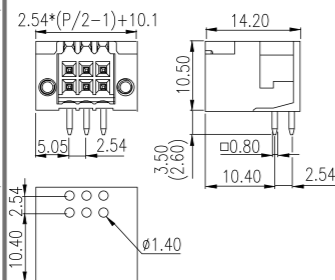
### 0156-1DXX-BK



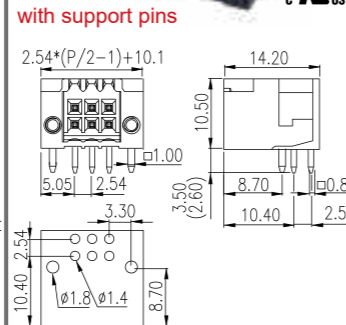
## 2.54mm

### 0156-17XX (0156-17XXL)

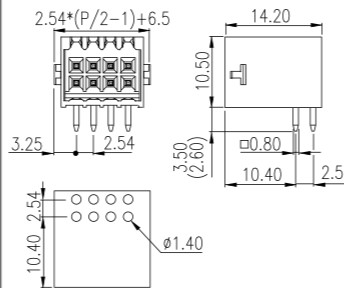
Technical Data	UL	IEC
Rated voltage	150V	320V
Rated current	5A	6A
Rated impulse voltage	2.5KV	
Number of Positions		
0156-13XX	04-44P	
0156-13XXL		
0156-18XX		
0156-18XXL		
0156-12XX	06-44P	
0156-12XXL		
0156-16XX		
0156-16XXL		
0156-17XX		
0156-17XXL		
0156-19XX		
0156-19XXL		



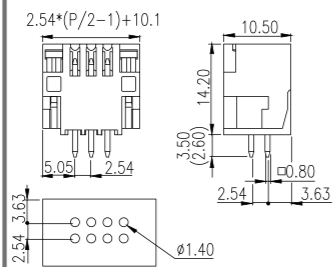
### 0156-18XX (0156-18XXL)



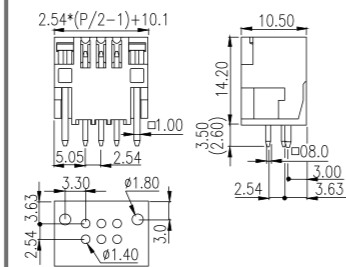
### 0156-19XX (0156-19XXL)



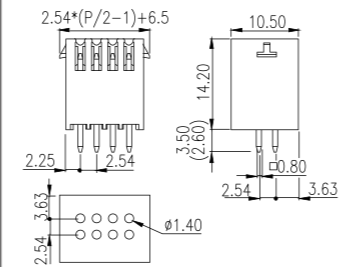
### 0156-12XX (0156-12XXL)



### 0156-13XX (0156-13XXL)



### 0156-16XX (0156-16XXL)



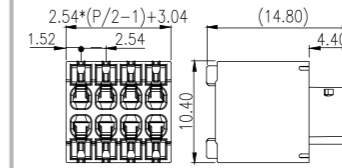
For THR products,  
Surge voltage category/pollution degree  
III/2 II/2

Rated voltage  
160 160

## 2.54mm

### 0157-1BXX

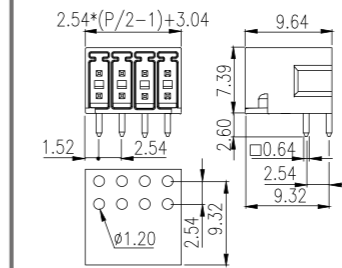
Technical Data	UL	IEC
Rated voltage	150V	160V
Rated current	6A	6A
Solid (AWG/mm <sup>2</sup> )	26-18	0.2-0.5
Flexible (AWG/mm <sup>2</sup> )	26-18	0.2-0.5
Rated impulse voltage	2.5KV	
Wire strip length	7-8mm	
Number of Positions		
04-32P		



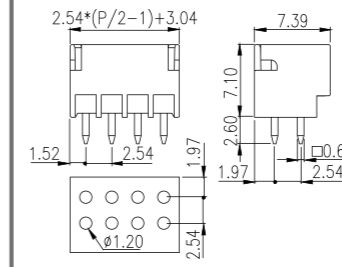
## 2.54mm

### 0157-15XXL

Technical Data	UL	IEC
Rated voltage	150V	160V
Rated current	6A	6A
Rated impulse voltage	2.5KV	
Number of Positions		
04-32P		




### 0157-10XXL

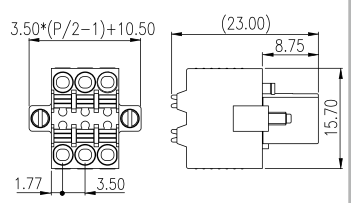



### 3.50mm

Technical Data	UL	IEC
Rated voltage		
0156-2AXX-BK	150V	320V
0156-2BXX-BK		
0156-2CXX-BK		
0156-2DXX-BK	300V	
0156-9BXX		
0156-9CXX		
Rated current		
0156-2AXX-BK	8A	10A
0156-2BXX-BK		
0156-2CXX-BK		
0156-2DXX-BK	10A	
0156-9BXX		
0156-9CXX		
Solid (AWG/mm <sup>2</sup> )	28-16	0.2-1.0
Flexible (AWG/mm <sup>2</sup> )	28-16	0.2-1.5
Rated impulse voltage		2.5KV
Wire strip length	8-9mm	
Number of Positions		
0156-2AXX-BK	04-40P	
0156-2CXX-BK		
0156-2DXX-BK		
0156-9CXX		
0156-2BXX-BK	04-44P	
0156-9BXX		

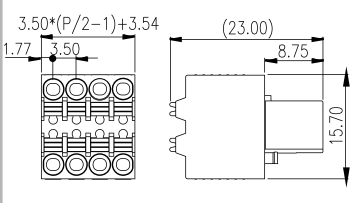



**0156-2AXX-BK**



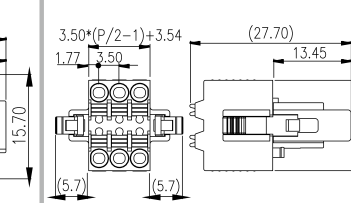



**0156-2BXX-BK**



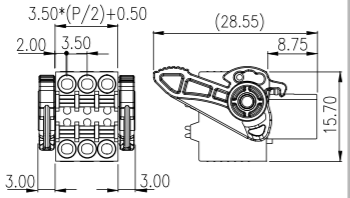



**0156-2CXX-BK**





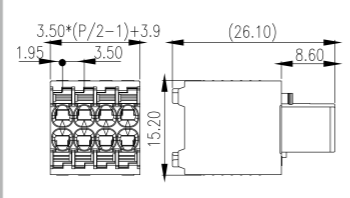
**0156-2DXX-BK**






**0156-9BXX**

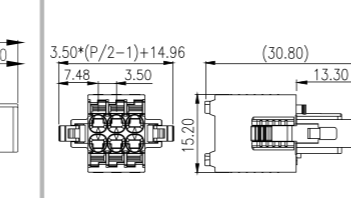
Wire strip length: 11-12mm






**0156-9CXX**

Wire strip length: 11-12mm



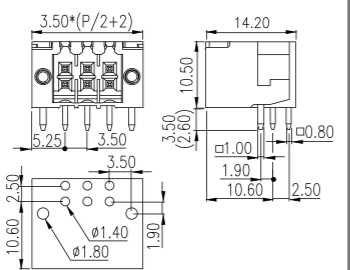
### 3.50mm


Technical Data	UL	IEC
Rated voltage	150V	320V
Rated current	10A	10A
Rated impulse voltage		2.5KV
Number of Positions		
0156-21XX-BK	04-40P	
0156-21XXL		
0156-24XX-BK		
0156-24XXL		
0156-26XX-BK	04-44P	
0156-26XXL		
0156-29XX-BK		
0156-29XXL		
0156-20XX-BK		
0156-20XXL		
0156-25XX-BK		
0156-25XXL		



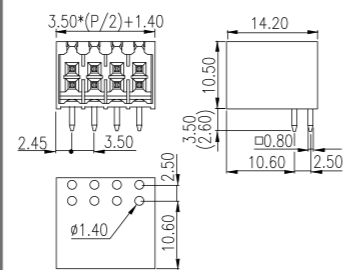
**0156-21XX-BK**  
(0156-21XXL)


with support pins





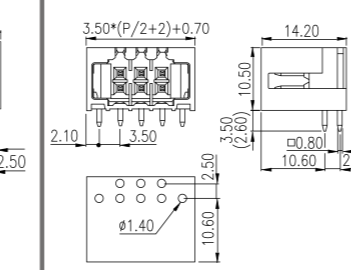
**0156-25XX-BK**  
(0156-25XXL)






**0156-29XX-BK**  
(0156-29XXL)

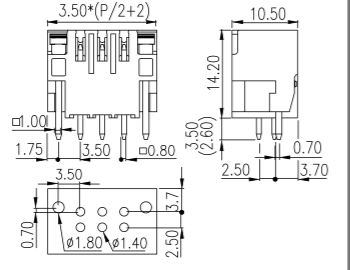
with support pins






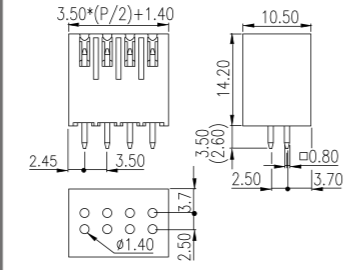
**0156-21XX-BK**  
(0156-21XXL)


with support pins





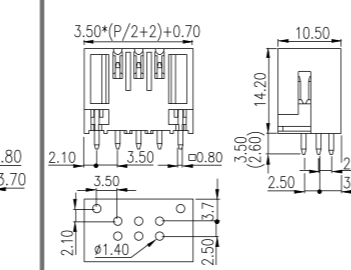
**0156-20XX-BK**  
(0156-20XXL)






**0156-24XX-BK**  
(0156-24XXL)

with support pins

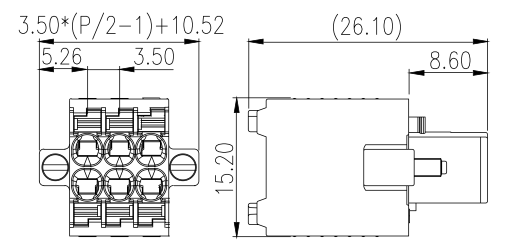



### 3.50mm

Technical Data	UL	IEC
Rated voltage	300V	320V
Rated current	10A	10A
Solid (AWG/mm <sup>2</sup> )	26-16	0.2-1.5
Flexible (AWG/mm <sup>2</sup> )	26-16	0.2-1.5
Rated impulse voltage		2.5KV
Wire strip length	11-12mm	
Number of Positions	04-40P	

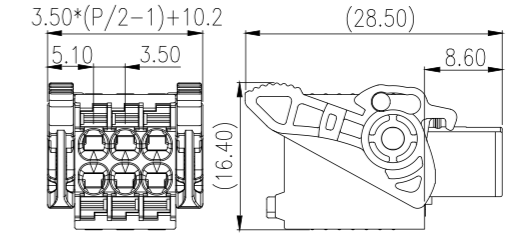


**0156-9AXX**






**0156-9DXX**



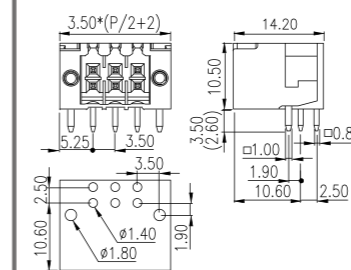
### 3.50mm


Technical Data	UL	IEC
Rated voltage	150V	320V
Rated current	10A	10A
Rated impulse voltage		2.5KV
Number of Positions	04-40P	



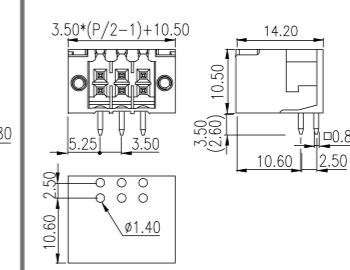
**0156-26XX-BK**  
(0156-26XXL)


with support pins





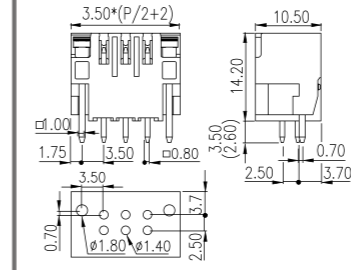
**0156-27XX-BK**  
(0156-27XXL)






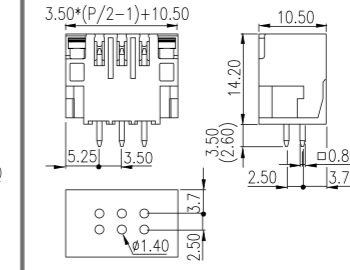
**0156-21XX-BK**  
(0156-21XXL)

with support pins





**0156-22XX-BK**  
(0156-22XXL)

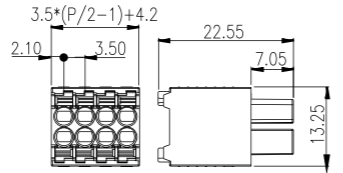
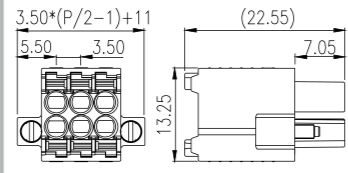


### 3.5mm

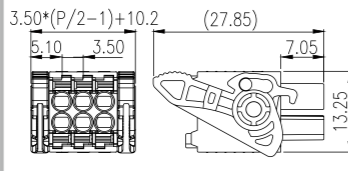
### 0159-01XX

### 0159-03XX

Technical Data	UL	IEC
Rated voltage	300V	320V
Rated current	8A	8A
Solid (AWG/mm <sup>2</sup> )	24~16	0.2~1.5
Flexible (AWG/mm <sup>2</sup> )	24~16	0.2~1.5
Rated impulse voltage	2.5KV	
Wire strip length	9~10mm	
Number of Positions		
04~40P		



### 0159-04XX



### 3.5mm

### 0159-05XX

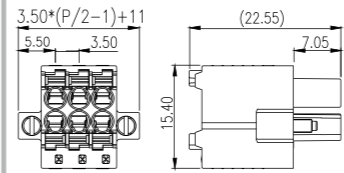
### 0159-07XX

### 0159K1L

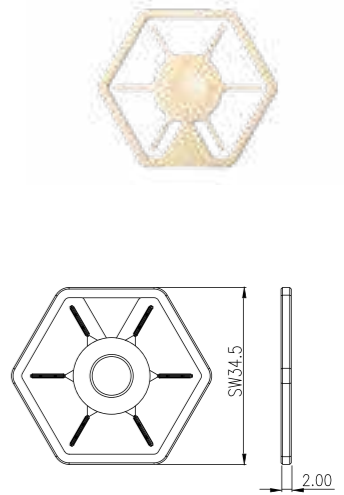
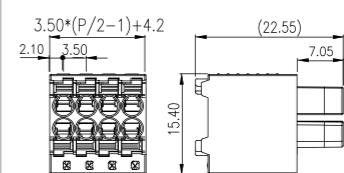
Technical Data	UL	IEC
Rated voltage	300V	320V
Rated current	8A	8A
Solid (AWG/mm <sup>2</sup> )	24~16	0.2~1.5
Flexible (AWG/mm <sup>2</sup> )	24~16	0.2~1.5
Rated impulse voltage	2.5KV	
Wire strip length	9~10mm	
Number of Positions		
04~40P		



with light pipe



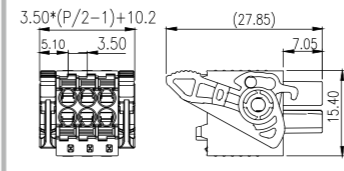
with light pipe



### 0159-08XX



with light pipe

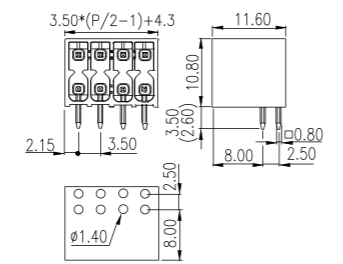
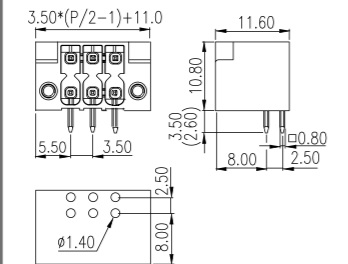


### 3.5mm

### 0159-11XX (0159-11XXL)

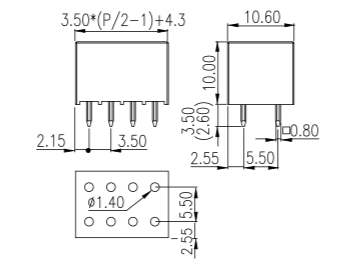
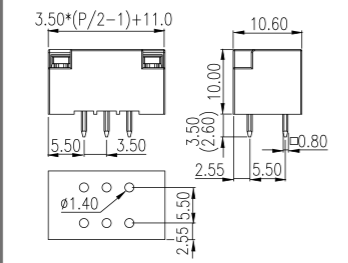
### 0159-31XX (0159-31XXL)

Technical Data	UL	IEC
Rated voltage	300V	320V
Rated current	8A	8A
Rated impulse voltage	2.5KV	
Number of Positions		
04~40P		



### 0159-12XX (0159-12XXL)

### 0159-32XX (0159-32XXL)

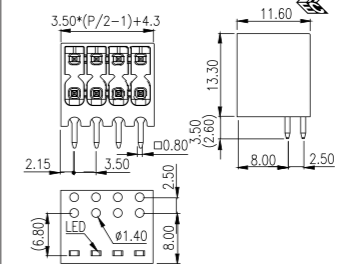
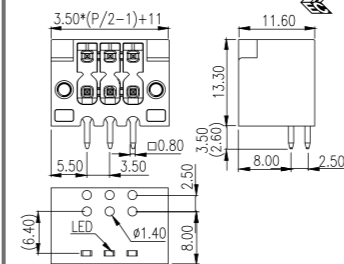


### 3.5mm

### 0159-13XX (0159-13XXL)

### 0159-33XX (0159-33XXL)

Technical Data	UL	IEC
Rated voltage	300V	320V
Rated current	8A	8A
0159-13XX(L)	8A	8A
0159-31XX(L)	8A	8A
0159-33XX(L)	8A	8A
Rated impulse voltage	2.5KV	
Number of Positions		
04~40P		



# PID Plugs & Sockets - Slim Type



Connection method:  
Push-in connection




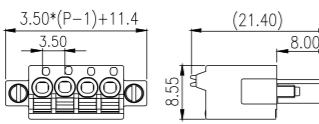
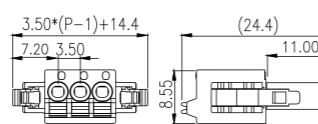
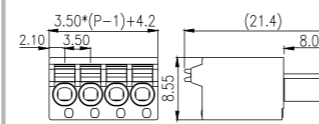
Pitch: 3.50mm /  
5.00mm /  
5.08mm




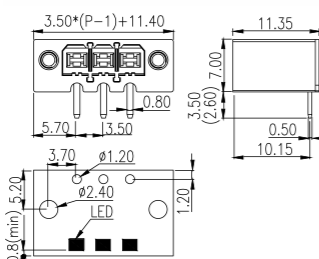
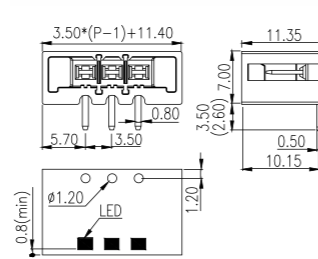
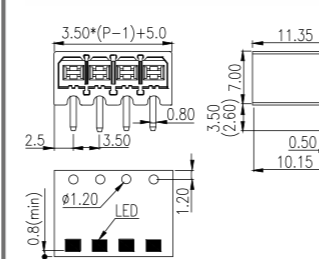
UL Rated: 300V / 8A ~  
300V / 15A




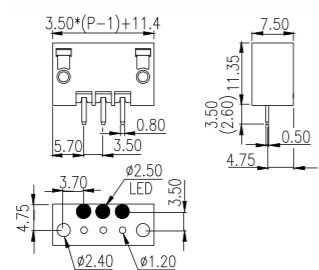
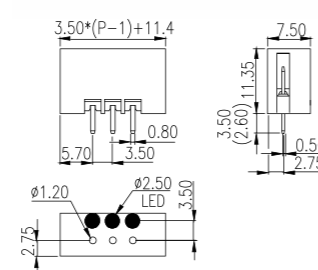
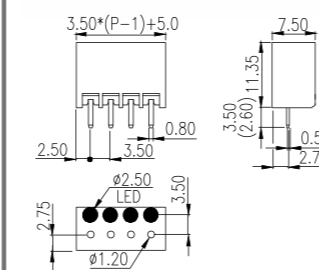
IEC Rated: 320V / 14A ~  
600V / 18A




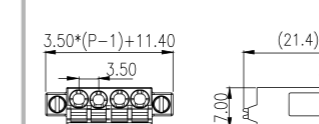
- Double-level plug and socket
- Options with LED light pipe for indication
- Versions with screw flange and lock flange
- THR version socket is available, pin length 2.6mm (The last suffix "L" represents THR version.)




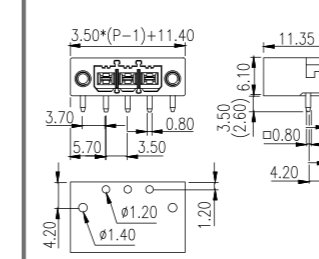
5.08mm			0225-04XX	0225-05XX	0225-09XX	0225-0AXX																																																	
<table border="1"> <tr><th colspan="3">Technical Data</th></tr> <tr><td>UL</td><td>IEC</td><td></td></tr> <tr><td>Rated voltage</td><td>300V</td><td>320V</td></tr> <tr><td colspan="3">Rated current</td></tr> <tr><td>0225-04XX</td><td rowspan="4">8A</td><td rowspan="4">14A</td></tr> <tr><td>0225-05XX</td></tr> <tr><td>0225-09XX</td></tr> <tr><td>0225-0AXX</td></tr> <tr><td>0229-F4XX</td><td rowspan="4">12A</td><td rowspan="4"></td></tr> <tr><td>0229-F5XX</td></tr> <tr><td>0229-F9XX</td></tr> <tr><td>0229-FAXX</td></tr> <tr><td>Solid (AWG/mm<sup>2</sup>)</td><td>28~16</td><td>0.2~1.5</td></tr> <tr><td>Flexible (AWG/mm<sup>2</sup>)</td><td>28~16</td><td>0.2~1.5</td></tr> <tr><td>Rated impulse voltage</td><td colspan="2">4KV</td></tr> <tr><td>Wire strip length</td><td colspan="2">8~9mm</td></tr> <tr><th colspan="3">Number of Positions</th></tr> <tr><td>0225-04XX</td><td rowspan="10">04~40P</td><td rowspan="10"></td></tr> <tr><td>0225-05XX</td></tr> <tr><td>0225-09XX</td></tr> <tr><td>0225-0AXX</td></tr> <tr><td>0229-F4XX</td></tr> <tr><td>0229-F5XX</td></tr> <tr><td>0229-F9XX</td></tr> <tr><td>0229-FAXX</td></tr> </table>	Technical Data			UL	IEC		Rated voltage	300V	320V	Rated current			0225-04XX	8A	14A	0225-05XX	0225-09XX	0225-0AXX	0229-F4XX	12A		0229-F5XX	0229-F9XX	0229-FAXX	Solid (AWG/mm <sup>2</sup> )	28~16	0.2~1.5	Flexible (AWG/mm <sup>2</sup> )	28~16	0.2~1.5	Rated impulse voltage	4KV		Wire strip length	8~9mm		Number of Positions			0225-04XX	04~40P		0225-05XX	0225-09XX	0225-0AXX	0229-F4XX	0229-F5XX	0229-F9XX	0229-FAXX						
	Technical Data																																																						
	UL	IEC																																																					
	Rated voltage	300V	320V																																																				
	Rated current																																																						
	0225-04XX	8A	14A																																																				
	0225-05XX																																																						
	0225-09XX																																																						
	0225-0AXX																																																						
	0229-F4XX	12A																																																					
0229-F5XX																																																							
0229-F9XX																																																							
0229-FAXX																																																							
Solid (AWG/mm <sup>2</sup> )	28~16	0.2~1.5																																																					
Flexible (AWG/mm <sup>2</sup> )	28~16	0.2~1.5																																																					
Rated impulse voltage	4KV																																																						
Wire strip length	8~9mm																																																						
Number of Positions																																																							
0225-04XX	04~40P																																																						
0225-05XX																																																							
0225-09XX																																																							
0225-0AXX																																																							
0229-F4XX																																																							
0229-F5XX																																																							
0229-F9XX																																																							
0229-FAXX																																																							
5.08mm			0225-46XX	0225-56XX	0225-66XX	0225-76XX																																																	




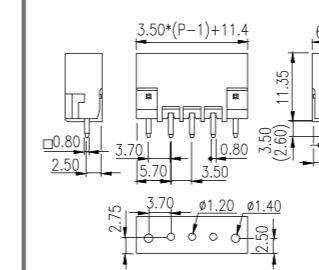
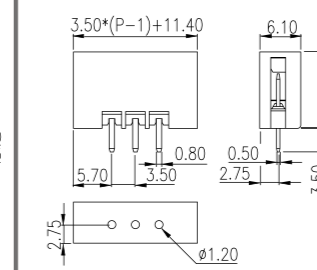
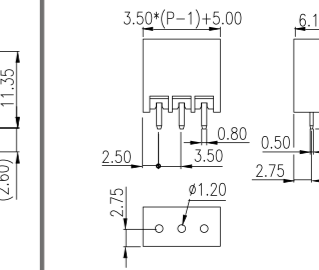
3.5mm			0225-01XX	0225-02XX	0225-03XX
Technical Data	UL	IEC	 with light pipe	 with light pipe	 with light pipe
Rated voltage	300V	630V			
Rated current	8A	15A			
Solid (AWG/mm <sup>2</sup> )	28~16	0.2~1.5			
Flexible (AWG/mm <sup>2</sup> )	28~16	0.2~1.5			
Rated impulse voltage		4KV			
Wire strip length	8~9mm				
Number of Positions			02~24P		
<p>• The product integrates light pipe for better indication</p>					
					

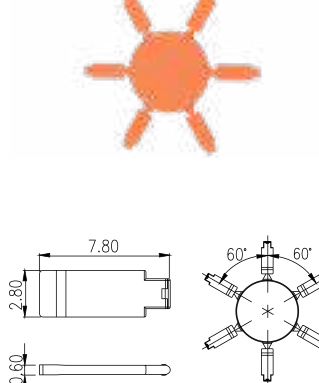
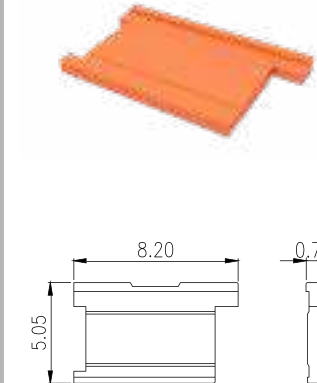
3.5mm			0225-13XX (0225-13XXL)	0225-23XX (0225-23XXL)	0225-33XX (0225-33XXL)			
Technical Data	UL	IEC						
Rated voltage	300V	630V						
Rated current	8A	15A						
Rated impulse voltage		4KV						
Number of Positions						02~14P		
0225-13XX						02~24P		
0225-23XX								
0225-33XX								
0225-13XXL								
0225-14XX								
0225-14XXL								
0225-23XXL								
0225-24XX								
0225-24XXL								
0225-33XXL								
0225-34XX								
0225-34XXL								
								

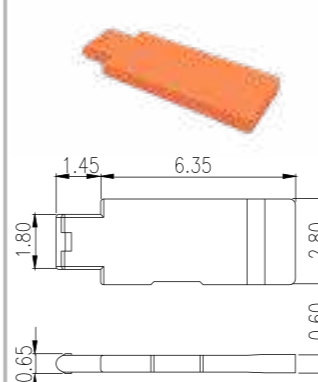
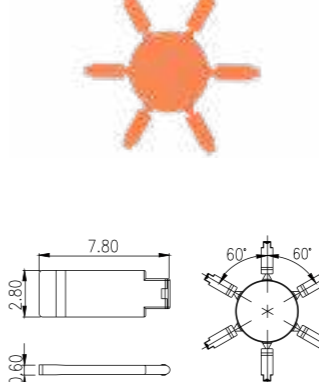
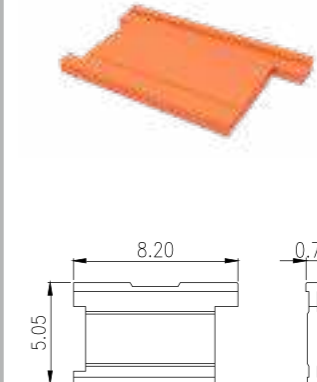
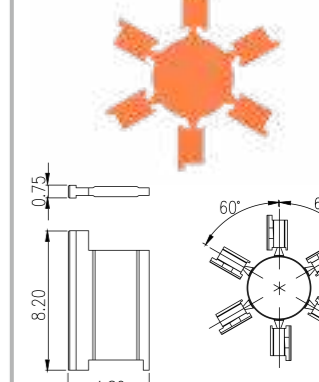
3.5mm			0225-14XX (0225-14XXL)	0225-24XX (0225-24XXL)	0225-34XX (0225-34XXL)
					
					

3.5mm			0225-06XX	0225-07XX	0225-08XX
Technical Data	UL	IEC			
Rated voltage	300V	630V			
Rated current	8A	15A			
Solid (AWG/mm <sup>2</sup> )	28~16	0.2~1.5			
Flexible (AWG/mm <sup>2</sup> )	28~16	0.2~1.5			
Rated impulse voltage		4KV			
Wire strip length	8~9mm				
Number of Positions			02~24P		
					

3.5mm			0225-16XX (0225-16XXL)	0225-26XX (0225-26XXL)	0225-36XX (0225-36XXL)			
Technical Data	UL	IEC	 with support pins					
Rated voltage	300V	630V						
Rated current	8A	15A						
Rated impulse voltage		4KV						
Number of Positions						02~24P		
								

3.5mm			0225-17XX (0225-17XXL)	0225-27XX (0225-27XXL)	0225-37XX (0225-37XXL)
 with support pins					
					

ACCESSORIES			
0225K1	0225K3	0225K2L	0225K4L
			

ACCESSORIES			
0225K1	0225K3	0225K2L	0225K4L
			

### 5.00mm

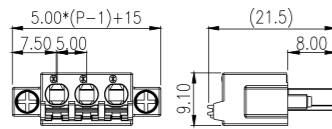
Technical Data	UL	IEC
Rated voltage	300V	630V
Rated current	10A	17.5A
Solid (AWG/mm <sup>2</sup> )	24~16	0.2~1.5
Flexible (AWG/mm <sup>2</sup> )	24~16	0.2~1.5
Rated impulse voltage	4KV	
Wire strip length	8~9mm	
Number of Positions		
02~16P		
Accessories		
0225K1	P12	
0225K3	P12	

• The product integrates light pipe for better indication

### 0226-01XX



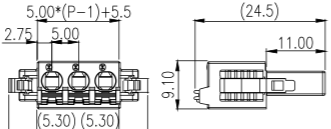
with light pipe



### 0226-02XX



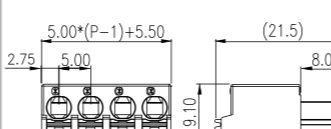
with light pipe



### 0226-03XX



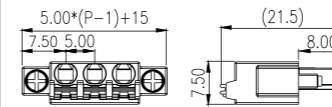
with light pipe



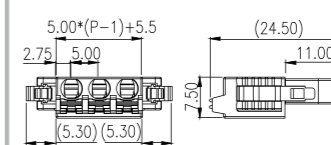
### 5.00mm

Technical Data	UL	IEC
Rated voltage	300V	630V
Rated current	10A	17.5A
Solid (AWG/mm <sup>2</sup> )	24~16	0.2~1.5
Flexible (AWG/mm <sup>2</sup> )	24~16	0.2~1.5
Rated impulse voltage	4KV	
Wire strip length	8~9mm	
Number of Positions		
02~16P		
Accessories		
0225K1	P12	
0225K3	P12	

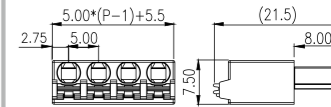
### 0226-06XX



### 0226-07XX



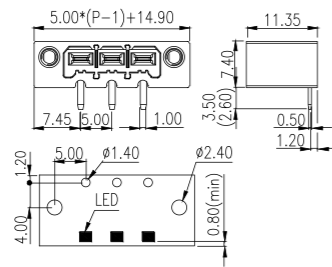
### 0226-08XX



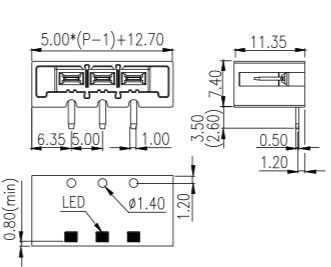
### 5.00mm

Technical Data	UL	IEC
Rated voltage	300V	630V
Rated current	10A	17.5A
Rated impulse voltage	4KV	
Torque (N-m)		
Number of Positions		
02~16P		
Accessories		
0227K2L	P12	

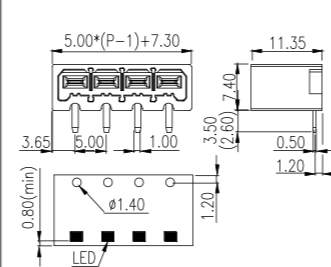
### 0226-13XX (0226-13XXL)



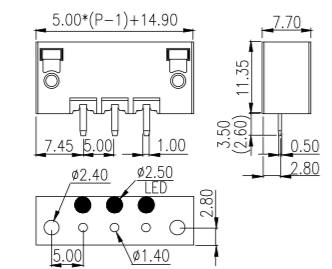
### 0226-23XX (0226-23XXL)



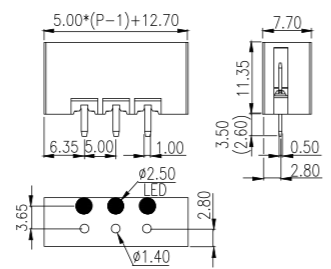
### 0226-33XX (0226-33XXL)



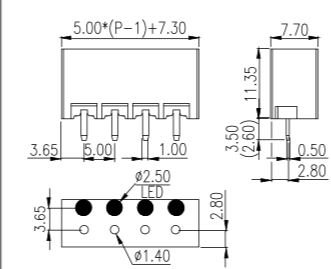
### 0226-14XX (0226-14XXL)



### 0226-24XX (0226-24XXL)



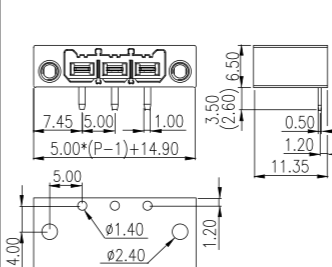
### 0226-34XX (0226-34XXL)



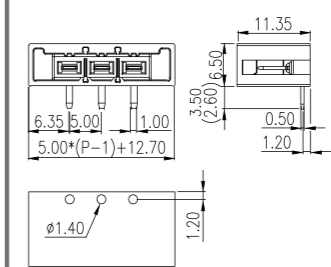
### 5.00mm

Technical Data	UL	IEC
Rated voltage	300V	630V
Rated current	10A	17.5A
Rated impulse voltage	4KV	
Number of Positions		
02~16P		
Accessories		
0225K2L	P12	
0225K4L	P12	

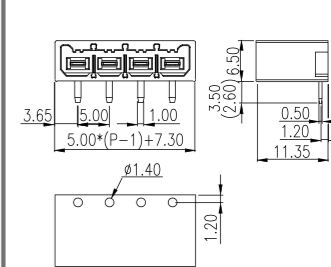
### 0226-16XX (0226-16XXL)



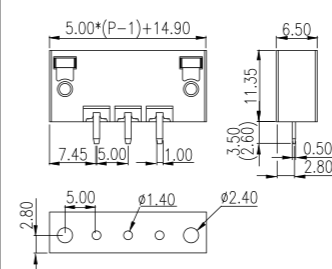
### 0226-26XX (0226-26XXL)



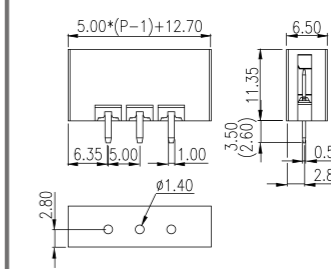
### 0226-36XX (0226-36XXL)



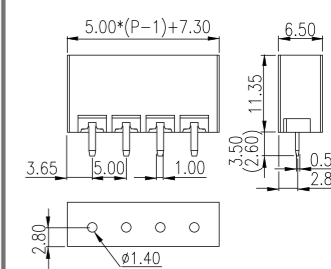
### 0226-17XX (0226-17XXL)







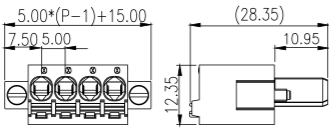
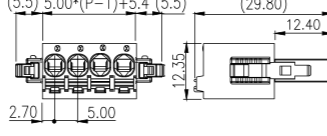
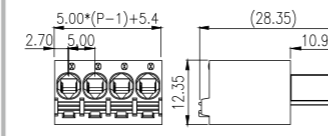


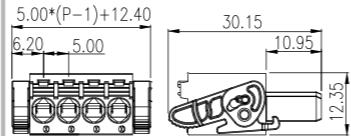








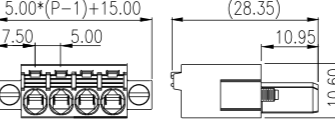
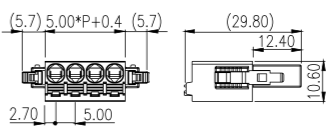
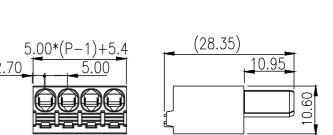


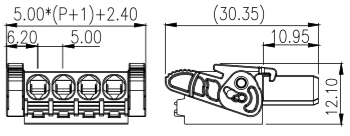
### 0226-27XX (0226-27XXL)







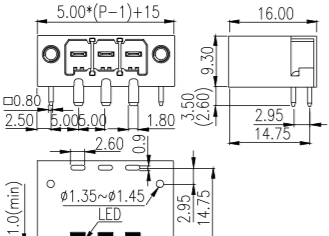
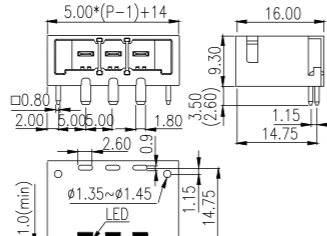
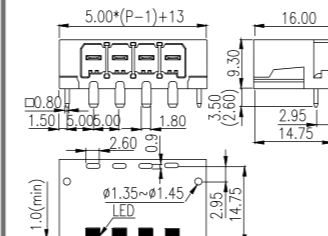








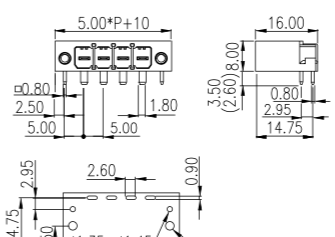
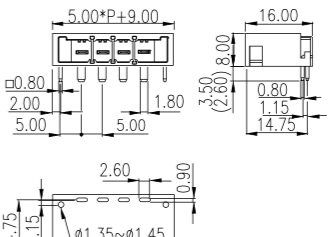
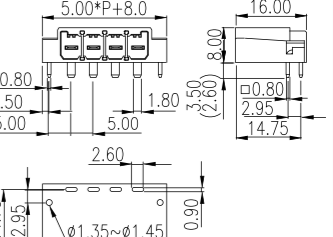
### 0226-37XX (0226-37XXL)








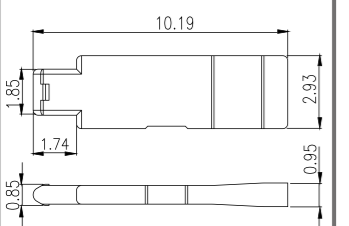
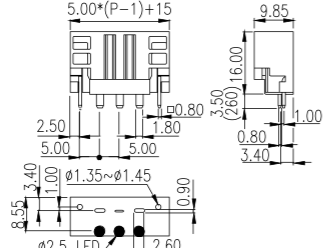
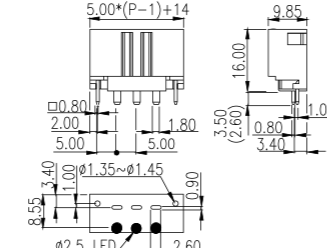
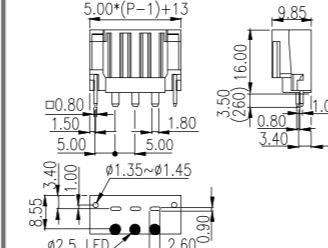









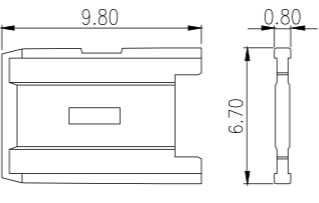
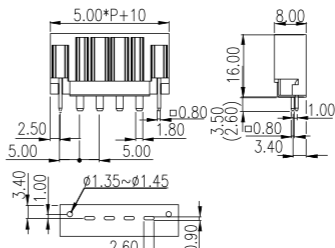
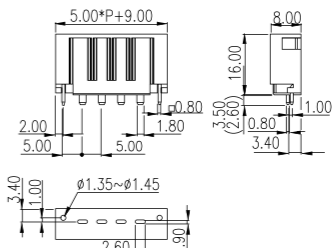
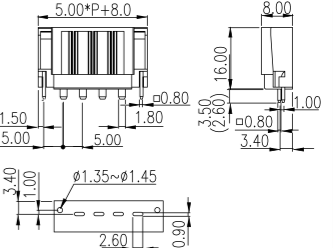
5.00mm			0227-01XX	0227-02XX	0227-03XX
Technical Data	UL	IEC	 with light pipe 	 with light pipe 	 with light pipe 
Rated voltage	300V	630V			
Rated current	15A	18A			
Solid (AWG/mm <sup>2</sup> )	26~12	0.2~2.5			
Flexible (AWG/mm <sup>2</sup> )	26~12	0.2~2.5			
Rated impulse voltage	4KV				
Wire strip length	12~13mm				
Number of Positions			0227-02XX	02~16P	
			0227-01XX		
			0227-03XX		02~24P
			0227-04XX		
Accessories			0227K1 P15		
					
			<b>0227-04XX</b>		
			 with light pipe 		
					

5.00mm			0227-06XX	0227-07XX	0227-08XX
Technical Data	UL	IEC	 	 	 
Rated voltage	300V	630V			
Rated current	15A	18A			
Solid (AWG/mm <sup>2</sup> )	26~12	0.2~2.5			
Flexible (AWG/mm <sup>2</sup> )	26~12	0.2~2.5			
Rated impulse voltage	4KV				
Wire strip length	12~13mm				
Number of Positions			0227-07XX	02~16P	
			0227-06XX		
			0227-08XX		02~24P
			0227-09XX		
Accessories			0227K1 P15		
					
			<b>0227-09XX</b>		
			 		
					

5.00mm			0227-13XX (0227-13XXL)	0227-23XX (0227-23XXL)	0227-33XX (0227-33XXL)
Technical Data	UL	IEC	 with support pins 	 with support pins 	 with support pins 
Rated voltage	300V	630V			
Rated current	15A	18A			
Rated impulse voltage	4KV				
Number of Positions					
			0227-13XXL		
			0227-23XX		
			0227-23XXL		
			0227-33XX		
			0227-33XXL		
			0227-14XX		
			0227-14XXL		
			0227-34XX		
			0227-34XXL		
Accessories			0227K2L P16		
					

5.00mm			0227-16XX (0227-16XXL)	0227-26XX (0227-26XXL)	0227-36XX (0227-36XXL)
Technical Data	UL	IEC	 with support pins 	 with support pins 	 with support pins 
Rated voltage	300V	630V			
Rated current	15A	18A			
Rated impulse voltage	4KV				
Number of Positions					
			0227-26XXL		
			0227-27XX		
			0227-27XXL		
			0227-16XX		
			0227-16XXL		
			0227-17XX		
			0227-17XXL		
			0227-36XX		
			0227-36XXL		
			0227-37XX		
			0227-37XXL		
Accessories			0227K2L P16		
					

0227K1	0227-14XX (0227-14XXL)	0227-24XX (0227-24XXL)	0227-34XX (0227-34XXL)
	 with support pins 	 with support pins 	 with support pins 
			

0227K2L	0227-17XX (0227-17XXL)	0227-27XX (0227-27XXL)	0227-37XX (0227-37XXL)
	 with support pins 	 with support pins 	 with support pins 
			

# Card Edge Connectors Connection to PCB




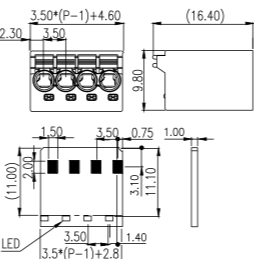
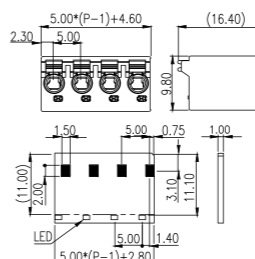
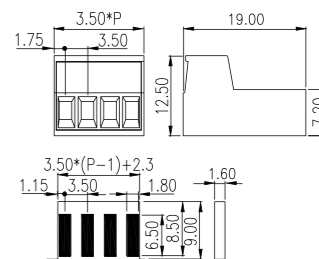



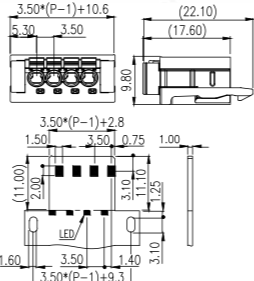
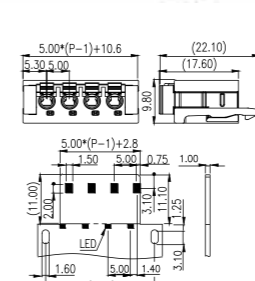
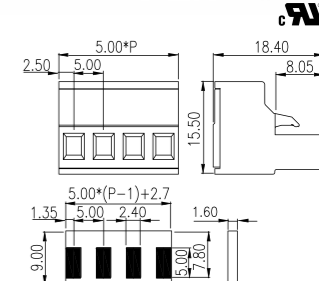


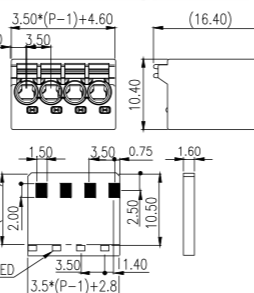
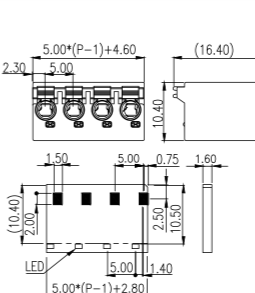


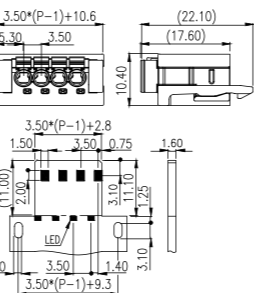
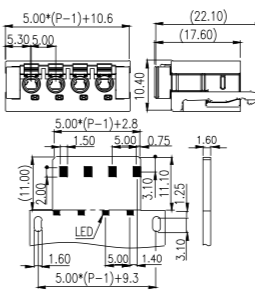


Connection method: push-in or screw connection

Pitch: 3.5mm / 5.0mm  
(7.0mm & 10.0mm available on request)

UL Rated: 150V/12A ~300V/6A  
IEC Rated: 320V/5A ~400V/12A

- Card-edge connection on a 1.0 or 1.6mm thick PCB
- Push-in connection for quick and easy wiring
- Special indication design on each pole allows integration
- Special indication design on each pole allows integration LED on the PCB for clear signal identification
- CPC350 and 5ESDG are screw connection on a 1.6mm thick PCB

3.50mm			0184-11XX			5.00mm			0184-31XX			3.50mm			CPC350-XXP		
Technical Data	UL	IEC				Technical Data	UL	IEC				Technical Data	UL	IEC			
Rated voltage	150V	320V				Rated voltage	300V	320V				Rated voltage	150V	320V			
Rated current	6A	7A				Rated current	6A	7A				Rated current	12A	14A			
Solid (AWG/mm <sup>2</sup> )	24~16	0.2~1.5				Solid (AWG/mm <sup>2</sup> )	24~16	0.2~1.5				Solid (AWG/mm <sup>2</sup> )	28~14	0.2~1.5			
Flexible (AWG/mm <sup>2</sup> )	24~16	0.2~1.5				Flexible (AWG/mm <sup>2</sup> )	24~16	0.2~1.5				Flexible (AWG/mm <sup>2</sup> )	28~14	0.2~1.5			
Rated impulse voltage		2.5KV				Rated impulse voltage		4KV				Rated impulse voltage		2.5KV			
Wire strip length	8~9mm					Wire strip length	8~9mm					Torque (N-m)	0.2~0.25				
Number of Positions			02~24P			Number of Positions			02~18P			Number of Positions			02~24P		
PCB thickness			1.0 mm			PCB thickness			1.0 mm			PCB thickness			1.6 mm		
0184-11XX	1.0 mm					0184-31XX	1.0 mm					CPC350-XXP	1.6 mm				
0184-15XX	1.6 mm					0184-35XX	1.6 mm					5ESDG-XXP	1.6 mm				
																	
																	
																	
																	
																	



# PID Plugs & Sockets









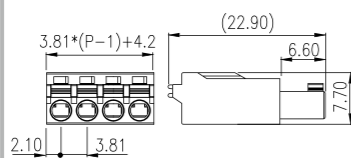
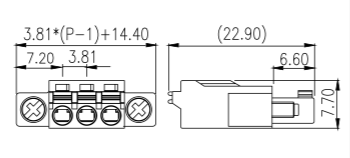
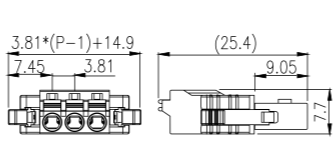
Connection method:  
Push-in connection







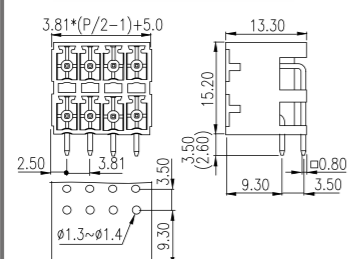
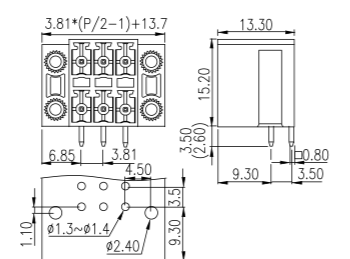
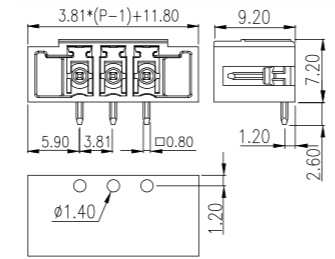
Pitch:  
3.50mm / 3.81mm /  
5.00mm / 5.08mm

UL Rated:  
300V / 8A ~ 300V / 10A  
IEC Rated:  
320V / 8A ~ 600V / 18A







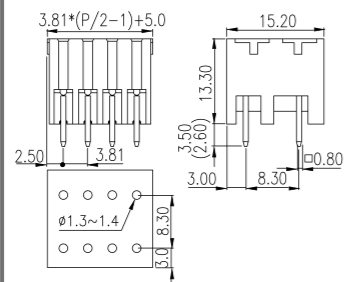
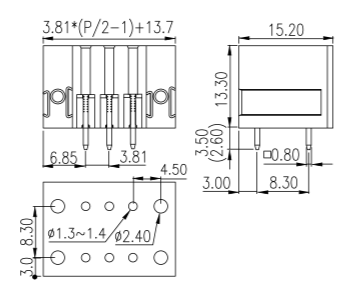
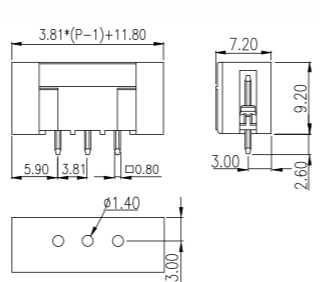
- Push-in connection single level plug, single, double and triple row socket
- Space saving flat design plug, only 7.7mm in height
- With testing hole suitable for 1mm Ø test probe
- The pin length for wave soldering socket is 3.50mm
- Through-hole reflow (THR) version socket is available, standard pin length 2.6mm (The last suffix "L" represents THR version.)


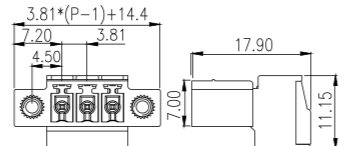
3.50mm		0221-20XX		0221-21XX		0221-24XX		0221-28XX		0221-29XX																																																																																																																							
<table border="1"> <tr><th colspan="2">Technical Data</th><th>UL</th><th>IEC</th></tr> <tr><td>Rated voltage</td><td></td><td>300V</td><td>320V</td></tr> <tr><td>Rated current</td><td></td><td>8A</td><td>8A</td></tr> <tr><td>Solid (AWG/mm²)</td><td></td><td>24~16</td><td>0.2~1.5</td></tr> <tr><td>Flexible (AWG/mm²)</td><td></td><td>24~16</td><td>0.2~1.5</td></tr> <tr><td>Rated impulse voltage</td><td></td><td></td><td>2.5KV</td></tr> <tr><td>Wire strip length</td><td></td><td colspan="2">8~10mm</td></tr> <tr><th colspan="4">Number of Positions</th></tr> <tr><td>0221-21XX</td><td></td><td colspan="2">02~18P</td></tr> <tr><td>0221-20XX</td><td></td><td colspan="2"></td></tr> <tr><td>0221-24XX</td><td></td><td colspan="2">02~20P</td></tr> <tr><td>0221-28XX</td><td></td><td colspan="2"></td></tr> <tr><td>0221-29XX</td><td></td><td colspan="2"></td></tr> </table>		Technical Data		UL	IEC	Rated voltage		300V	320V	Rated current		8A	8A	Solid (AWG/mm²)		24~16	0.2~1.5	Flexible (AWG/mm²)		24~16	0.2~1.5	Rated impulse voltage			2.5KV	Wire strip length		8~10mm		Number of Positions				0221-21XX		02~18P		0221-20XX				0221-24XX		02~20P		0221-28XX				0221-29XX																																																																															
Technical Data		UL	IEC																																																																																																																														
Rated voltage		300V	320V																																																																																																																														
Rated current		8A	8A																																																																																																																														
Solid (AWG/mm²)		24~16	0.2~1.5																																																																																																																														
Flexible (AWG/mm²)		24~16	0.2~1.5																																																																																																																														
Rated impulse voltage			2.5KV																																																																																																																														
Wire strip length		8~10mm																																																																																																																															
Number of Positions																																																																																																																																	
0221-21XX		02~18P																																																																																																																															
0221-20XX																																																																																																																																	
0221-24XX		02~20P																																																																																																																															
0221-28XX																																																																																																																																	
0221-29XX																																																																																																																																	
3.50mm		0221-22XX-BK (0221-22XXL)		0221-23XXL		ECH350RJ-XXP (ECH350RJ-XXPL)		0221-26XXL		0221-35XXL		ECH350VM-XXP (ECH350VM-XXPL)																																																																																																																					
<table border="1"> <tr><th colspan="2">Technical Data</th><th>UL</th><th>IEC</th></tr> <tr><td>Rated voltage</td><td></td><td>300V</td><td>320V</td></tr> <tr><td>Rated current</td><td></td><td>8A</td><td>8A</td></tr> <tr><td>Rated impulse voltage</td><td></td><td></td><td>2.5KV</td></tr> <tr><th colspan="4">Number of Positions</th></tr> <tr><td>ECH350RJ-XXP</td><td></td><td colspan="2">02~24P</td></tr> <tr><td>ECH350RJ-XXPL</td><td></td><td colspan="2"></td></tr> <tr><td>ECH350VJ-XXP</td><td></td><td colspan="2"></td></tr> <tr><td>ECH350VJ-XXPL</td><td></td><td colspan="2"></td></tr> <tr><td>ECH350VM-XXP</td><td></td><td colspan="2"></td></tr> <tr><td>ECH350VM-XXPL</td><td></td><td colspan="2"></td></tr> <tr><td>ECH350RM-XXP</td><td></td><td colspan="2"></td></tr> <tr><td>ECH350RM-XXPL</td><td></td><td colspan="2"></td></tr> <tr><td>0221-22XX-BK</td><td></td><td colspan="2"></td></tr> <tr><td>0221-22XXL</td><td></td><td colspan="2"></td></tr> <tr><td>0221-23XXL</td><td></td><td colspan="2">04~48P</td></tr> <tr><td>0221-26XXL</td><td></td><td colspan="2"></td></tr> <tr><td>0221-35XXL</td><td></td><td colspan="2"></td></tr> <tr><td>0221-36XXL</td><td></td><td colspan="2"></td></tr> <tr><td>0221-64XXL</td><td></td><td colspan="2"></td></tr> <tr><td>0221-25XX-BK</td><td></td><td colspan="2"></td></tr> <tr><td>0221-25XXL</td><td></td><td colspan="2"></td></tr> <tr><td>0221-27XX-BK</td><td></td><td colspan="2">06~72P</td></tr> <tr><td>0221-27XXL</td><td></td><td colspan="2"></td></tr> <tr><td>0221-41XX-BK</td><td></td><td colspan="2"></td></tr> <tr><td>0221-41XXL</td><td></td><td colspan="2"></td></tr> <tr><th colspan="4">Accessories</th></tr> <tr><td>ECHK1</td><td></td><td colspan="2">P54</td></tr> <tr><td>ECHK1L</td><td></td><td colspan="2">P54</td></tr> </table>		Technical Data		UL	IEC	Rated voltage		300V	320V	Rated current		8A	8A	Rated impulse voltage			2.5KV	Number of Positions				ECH350RJ-XXP		02~24P		ECH350RJ-XXPL				ECH350VJ-XXP				ECH350VJ-XXPL				ECH350VM-XXP				ECH350VM-XXPL				ECH350RM-XXP				ECH350RM-XXPL				0221-22XX-BK				0221-22XXL				0221-23XXL		04~48P		0221-26XXL				0221-35XXL				0221-36XXL				0221-64XXL				0221-25XX-BK				0221-25XXL				0221-27XX-BK		06~72P		0221-27XXL				0221-41XX-BK				0221-41XXL				Accessories				ECHK1		P54		ECHK1L		P54													
Technical Data		UL	IEC																																																																																																																														
Rated voltage		300V	320V																																																																																																																														
Rated current		8A	8A																																																																																																																														
Rated impulse voltage			2.5KV																																																																																																																														
Number of Positions																																																																																																																																	
ECH350RJ-XXP		02~24P																																																																																																																															
ECH350RJ-XXPL																																																																																																																																	
ECH350VJ-XXP																																																																																																																																	
ECH350VJ-XXPL																																																																																																																																	
ECH350VM-XXP																																																																																																																																	
ECH350VM-XXPL																																																																																																																																	
ECH350RM-XXP																																																																																																																																	
ECH350RM-XXPL																																																																																																																																	
0221-22XX-BK																																																																																																																																	
0221-22XXL																																																																																																																																	
0221-23XXL		04~48P																																																																																																																															
0221-26XXL																																																																																																																																	
0221-35XXL																																																																																																																																	
0221-36XXL																																																																																																																																	
0221-64XXL																																																																																																																																	
0221-25XX-BK																																																																																																																																	
0221-25XXL																																																																																																																																	
0221-27XX-BK		06~72P																																																																																																																															
0221-27XXL																																																																																																																																	
0221-41XX-BK																																																																																																																																	
0221-41XXL																																																																																																																																	
Accessories																																																																																																																																	
ECHK1		P54																																																																																																																															
ECHK1L		P54																																																																																																																															
		0221-25XX-BK (0221-25XXL)		0221-41XX-BK (0221-41XXL)		ECH350VJ-XXP (ECH350VJ-XXPL)		0221-27XX-BK (0221-27XXL)		0221-36XXL		ECH350RM-XXP (ECH350RM-XXPL)																																																																																																																					
		<table border="1"> <tr><th colspan="2">Socket</th></tr> <tr><td>ECH350H-XXP</td><td>P58</td></tr> <tr><td>ECH350R-XXP</td><td>P57</td></tr> <tr><td>ECH350R-XXPL</td><td>P57</td></tr> <tr><td>ECH350V-XXP</td><td>P57</td></tr> <tr><td>ECH350V-XXPL</td><td>P57</td></tr> <tr><td>ECH350RR-XXP</td><td>P57</td></tr> <tr><td>ECH350RR-XXPL</td><td>P57</td></tr> <tr><td colspan="2">Please refer to the related page number for the compatible headers.</td></tr> </table>		Socket		ECH350H-XXP	P58	ECH350R-XXP	P57	ECH350R-XXPL	P57	ECH350V-XXP	P57	ECH350V-XXPL	P57	ECH350RR-XXP	P57	ECH350RR-XXPL	P57	Please refer to the related page number for the compatible headers.		<table border="1"> <tr><th colspan="2">Socket</th></tr> <tr><td>ECH350VT-XXP</td><td>P66</td></tr> <tr><td colspan="2">Please refer to the related page number for the compatible headers.</td></tr> </table>		Socket		ECH350VT-XXP	P66	Please refer to the related page number for the compatible headers.		<table border="1"> <tr><th colspan="2">Socket</th></tr> <tr><td>ECH350RM-XXP</td><td>P57</td></tr> <tr><td>ECH350RM-XXPL</td><td>P57</td></tr> <tr><td>ECH350VM-XXP</td><td>P57</td></tr> <tr><td>ECH350VM-XXPL</td><td>P57</td></tr> <tr><td>ECH350RRM-XXP</td><td>P57</td></tr> <tr><td>ECH350RRM-XXPL</td><td>P57</td></tr> <tr><td colspan="2">Please refer to the related page number for the compatible headers.</td></tr> </table>		Socket		ECH350RM-XXP	P57	ECH350RM-XXPL	P57	ECH350VM-XXP	P57	ECH350VM-XXPL	P57	ECH350RRM-XXP	P57	ECH350RRM-XXPL	P57	Please refer to the related page number for the compatible headers.		<table border="1"> <tr><th colspan="2">Socket</th></tr> <tr><td>ECH350VD-XXP</td><td>P57</td></tr> <tr><td>ECH350RD-XXP</td><td>P57</td></tr> <tr><td colspan="2">Please refer to the related page number for the compatible headers.</td></tr> </table>		Socket		ECH350VD-XXP	P57	ECH350RD-XXP	P57	Please refer to the related page number for the compatible headers.																																																																									
Socket																																																																																																																																	
ECH350H-XXP	P58																																																																																																																																
ECH350R-XXP	P57																																																																																																																																
ECH350R-XXPL	P57																																																																																																																																
ECH350V-XXP	P57																																																																																																																																
ECH350V-XXPL	P57																																																																																																																																
ECH350RR-XXP	P57																																																																																																																																
ECH350RR-XXPL	P57																																																																																																																																
Please refer to the related page number for the compatible headers.																																																																																																																																	
Socket																																																																																																																																	
ECH350VT-XXP	P66																																																																																																																																
Please refer to the related page number for the compatible headers.																																																																																																																																	
Socket																																																																																																																																	
ECH350RM-XXP	P57																																																																																																																																
ECH350RM-XXPL	P57																																																																																																																																
ECH350VM-XXP	P57																																																																																																																																
ECH350VM-XXPL	P57																																																																																																																																
ECH350RRM-XXP	P57																																																																																																																																
ECH350RRM-XXPL	P57																																																																																																																																
Please refer to the related page number for the compatible headers.																																																																																																																																	
Socket																																																																																																																																	
ECH350VD-XXP	P57																																																																																																																																
ECH350RD-XXP	P57																																																																																																																																
Please refer to the related page number for the compatible headers.																																																																																																																																	





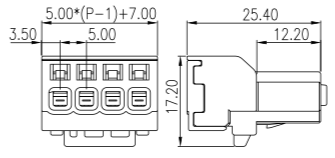
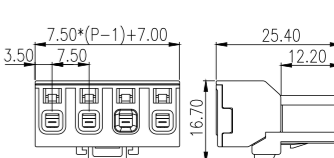
3.81mm			0221-42XX	0221-43XX	0221-44XX
Technical Data	UL	IEC			
Rated voltage	300V	320V			
Rated current	8A	8A			
Solid (AWG/mm <sup>2</sup> )	24~16	0.2~1.5			
Flexible (AWG/mm <sup>2</sup> )	24~16	0.2~1.5			
Rated impulse voltage		2.5KV			
Wire strip length	8~10mm				
Number of Positions					
02~24P					
					
					





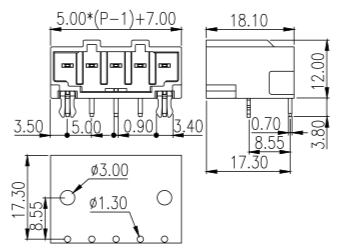
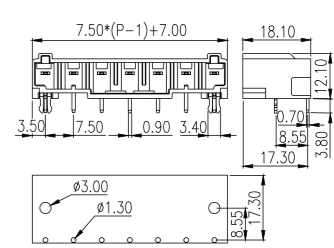
3.81mm			0221-33XX-BK (0221-33XXL)	0221-51XX-BK (0221-51XXL)	ECH381RJ-XXP (ECH381RJ-XXPL)
Technical Data	UL	IEC			
Rated voltage	300V	320V			
Rated current	8A	8A			
Rated impulse voltage		2.5KV			
Number of Positions					
02~24P					
					
					
Accessories					
ECHK1	P54				
ECHK1L	P54				





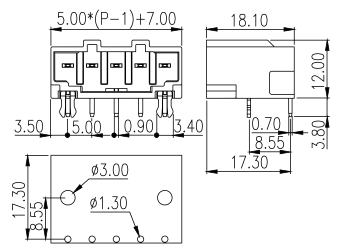
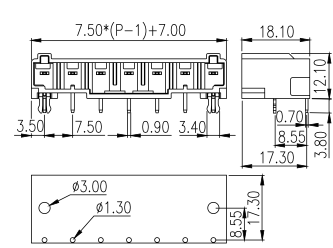
\* 0221-33XX-BK (IEC=250V)  
0221-51XX-BK (IEC=250V)

3.81mm			0221-39XX-BK (0221-39XXL)	0221-52XX-BK (0221-52XXL)	ECH381VJ-XXP (ECH381VJ-XXPL)
Technical Data	UL	IEC			
Rated voltage	300V	320V			
Rated current	8A	8A			
Rated impulse voltage		2.5KV			
Number of Positions					
04~48P					
					
					

Socket		ECSH381VM-XXP
ECH381A-XXP	P60	 <p>Refer to P.98</p> 
ECH381H-XXP	P60	
ECH381R-XXP	P59	
ECH381R-XXPL	P59	
ECH381V-XXP	P59	
ECH381V-XXPL	P59	
ECH381RR-XXP	P59	
ECH381RR-XXPL	P59	
Please refer to the related page number for the compatible headers.		

5.00mm			0234-20XX-MW	7.50mm	0234-30XX-MW
Technical Data	UL	IEC			
Rated voltage	300V	320V			
Rated current	15.5A	18A			
Solid (AWG/mm <sup>2</sup> )	28~12	0.2~2.5			
Flexible (AWG/mm <sup>2</sup> )	28~12	0.2~2.5			
Rated impulse voltage		4KV			
Wire strip length	9~10mm				
Number of Positions					
02~14P					
					

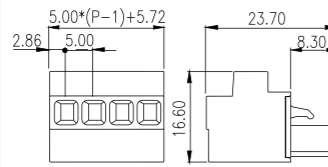
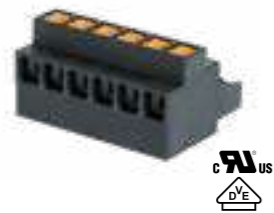
5.00mm			0234-26XX	7.50mm	0234-36XX
Technical Data	UL	IEC			
Rated voltage	300V	320V			
Rated current	15.5A	18A			
Rated impulse voltage		4KV			
Number of Positions					
02~14P					
					

5.00mm			0234-26XX	7.50mm	0234-36XX
Technical Data	UL	IEC			
Rated voltage	300V	320V			
Rated current	15.5A	18A			
Rated impulse voltage		4KV			
Number of Positions					
03~12P					
					

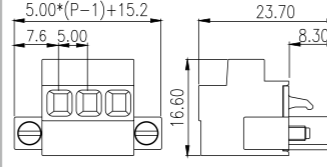
## 5.00mm

Technical Data	UL	IEC
Rated voltage	300V	600V
Rated current	10A	18A
Solid (AWG/mm <sup>2</sup> )	26~12	0.2~2.5
Flexible (AWG/mm <sup>2</sup> )	26~12	0.2~2.5
Rated impulse voltage	4KV	
Wire strip length	10~11mm	
Number of Positions		
02~24P		
Accessories		
ESDK1	P54	
ESDK2	P54	

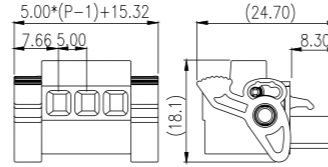
### 5ESV-XXP



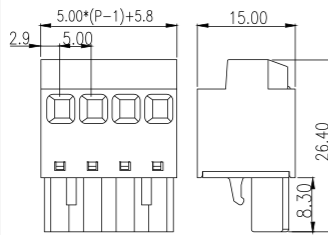
### 5ESVM-XXP



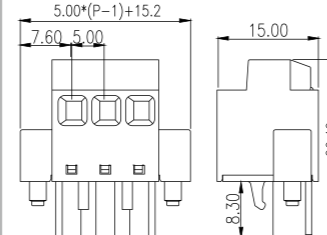
### 5ESVK-XXP



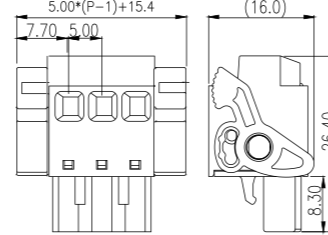
### 5ESR-XXP



### 5ESRM-XXP



### 5ESRK-XXP



#### Socket

5EHDR-XXP	P61
5EHDR-XXPL	P61
5EHDR-XXPL	P61
5EHDR-XXPL	P61
5EHDR-XXPL	P61
5EHDR-XXPL	P61
5EHDR-XXPL	P61
5EHDR-XXPL	P61
5EHDR-XXPL	P61
5EHDR-XXPL	P61

Please refer to the related page number for the compatible headers.

#### Socket

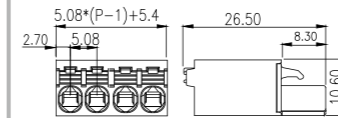
5EHDKPM-XXP	P70
5EHDRM-XXP	P62
5EHDRM-XXPL	P62
5EHDVM-XXP	P62
5EHDVM-XXPL	P62

Please refer to the related page number for the compatible headers.

## 5.08mm

Technical Data	UL	IEC
Rated voltage	300V	630V
Rated current	15A	18A
Solid (AWG/mm <sup>2</sup> )	24~12	0.2~2.5
Flexible (AWG/mm <sup>2</sup> )	24~12	0.2~2.5
Rated impulse voltage	4KV	
Wire strip length	10~11mm	
Number of Positions		
02~24P		
Accessories		
ESDK1	P54	
ESDK2	P54	

### 2ESS-XXP

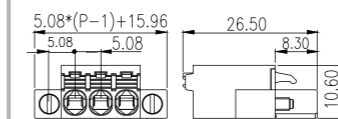


#### Socket

2EHDA-XXP	P63
2EHDAC-XXP	P63
2EHDR-XXP	P64
2EHDR-XXPL	P64
2EHDRC-XXP	P64
2EHDRC-XXPL	P64
2EHDV-XXP	P64
2EHDV-XXPL	P64
2EHDVC-XXP	P64
2EHDVC-XXPL	P64

Please refer to the related page number for the compatible headers.

### 2ESSM-XXP



#### Socket

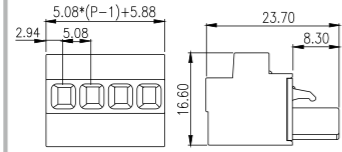
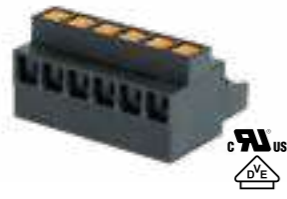
2EHDP-XXP	P69
2EHDRM-XXP	P64
2EHDRM-XXPL	P64
2EHDVM-XXP	P64
2EHDVM-XXPL	P64
2EHDVM-XXPL	P64

Please refer to the related page number for the compatible headers.

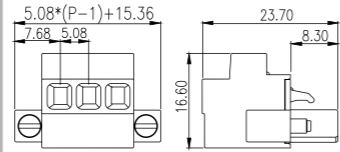
# 5.08mm

Technical Data	UL	IEC
Rated voltage	300V	600V
Rated current	10A	18A
Solid (AWG/mm <sup>2</sup> )	26~12	0.2~2.5
Flexible (AWG/mm <sup>2</sup> )	26~12	0.2~2.5
Rated impulse voltage		4KV
Wire strip length	10~11mm	
Number of Positions		
02~24P		
Accessories		
ESDK1	P54	
ESDK2	P54	

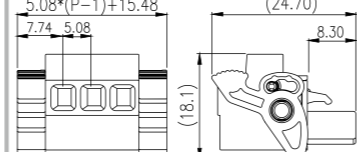
## 2ESV-XXP



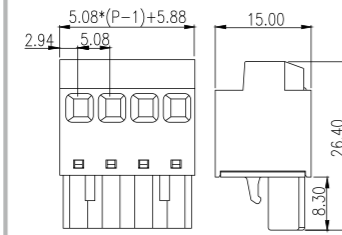
## 2ESVM-XXP



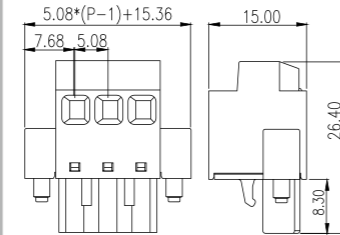
## 2ESVK-XXP



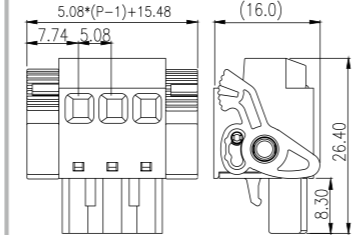
## 2ESR-XXP



## 2ESRM-XXP



## 2ESRK-XXP



### Socket

2EHDA-XXP	P63
2EHDAC-XXP	P63
2EHDR-XXP	P64
2EHDR-XXPL	P64
2EHDRC-XXP	P64
2EHDRC-XXPL	P64
2EHDV-XXP	P64
2EHDV-XXPL	P64
2EHDVC-XXP	P64
2EHDVC-XXPL	P64

Please refer to the related page number for the compatible headers.

### Socket

2EHDP-XXP	P69
2EHDRM-XXP	P64
2EHDRM-XXPL	P64
2EHDVM-XXP	P64
2EHDVM-XXPL	P64
2EHDRRM-XXPL	P64

Please refer to the related page number for the compatible headers.

# PID Plugs & Sockets - Stable Type



Easy clip design



Strengthened mounting structure



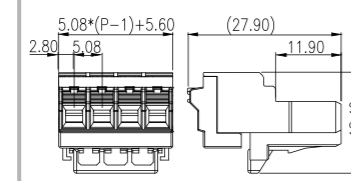
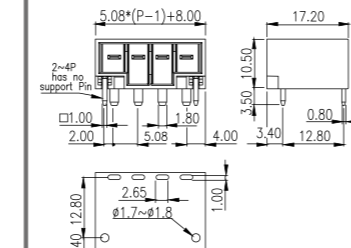

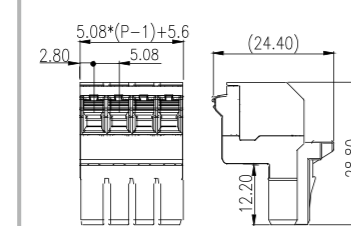
Connection method: Push-in connection



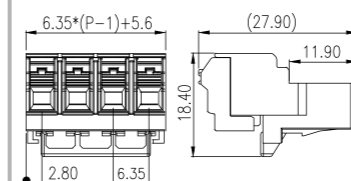
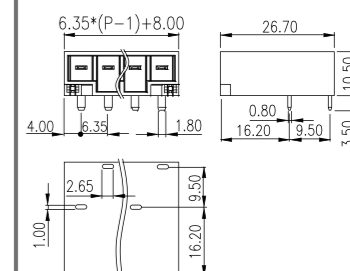

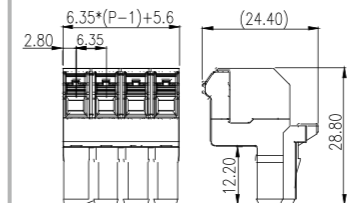
Pitch: 5.08mm / 6.35mm / 7.50mm

UL Rated: 300V / 16A, 600V / 20A



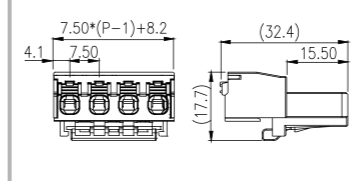
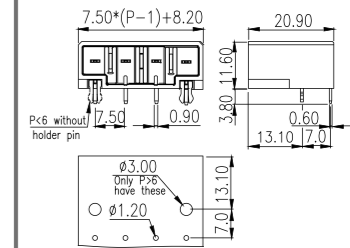
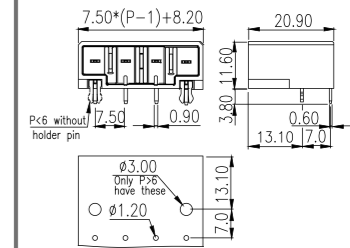
IEC Rated: 3320V / 20A, 1000V / 20A

- With lock flange directly beneath
- The plug is in minimum width to save space
- Release tool (SDH-002) allows wiring operation by single hand
- Additional support pins on both sides of The socket for extra strength



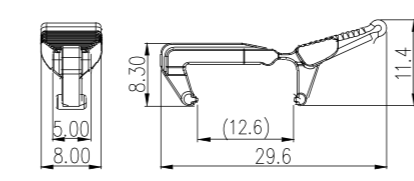
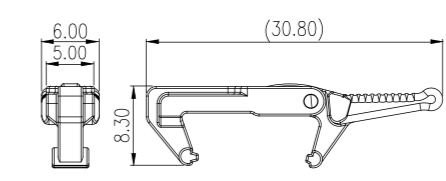
5.08mm			0150-20XX			5.08mm			0150-26XX		
Technical Data	UL	IEC		Technical Data	UL	IEC					
Rated voltage	300V	320V		Rated voltage	300V	320V					
Rated current	16A	20A		Rated current	16A	20A					
Solid (AWG/mm <sup>2</sup> )	24~12	0.2~2.5		Rated impulse voltage	4KV						
Flexible (AWG/mm <sup>2</sup> )	24~12	0.2~2.5		Number of Positions	0150-26XX	02~24P					
Rated impulse voltage		4KV		· 05~24P versions with support pin							
Wire strip length	11~12mm										
Number of Positions				0150-21XX							
02~24P											

6.35mm			0150-30XX			6.35mm			0150-36XX		
Technical Data	UL	IEC		Technical Data	UL	IEC					
Rated voltage	600V	1000V		Rated voltage	600V	1000V					
Rated current	20A	20A		Rated current	20A	20A					
Solid (AWG/mm <sup>2</sup> )	24~12	0.2~2.5		Rated impulse voltage	8KV						
Flexible (AWG/mm <sup>2</sup> )	24~12	0.2~2.5		Number of Positions	0150-36XX	02~12P					
Rated impulse voltage		8KV									
Wire strip length	11~12mm										
Number of Positions				0150-31XX							
02~12P											

7.50mm			0150-40XX			7.50mm			0150-46XX		
Technical Data	UL	IEC		Technical Data	UL	IEC					
Rated voltage	600V	630V		Rated voltage	300V	630V					
Rated current	15A	18A		Rated current	15A	18A					
Solid (AWG/mm <sup>2</sup> )	20~12	0.5~2.5		Rated impulse voltage	6KV						
Flexible (AWG/mm <sup>2</sup> )	20~12	0.5~2.5		Number of Positions	0150-46XX	02~12P					
Rated impulse voltage		8KV									
Wire strip length	12~13mm										
Number of Positions				0150-46XX							
02~12P											

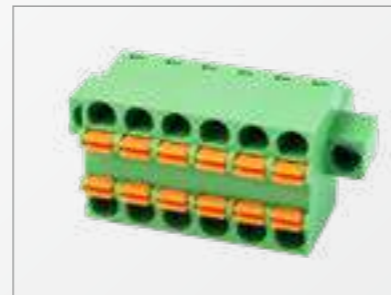
SDH-002 (for 0150 series only)		SDH-003 (for 0150 series only)	
Basic type		Durable type	
			



# PID Plugs & Sockets - Regular Type



Screw mounting flange for secure connection



Twin connection plug is available





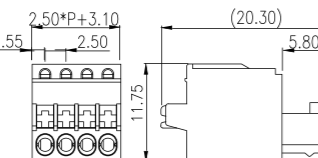
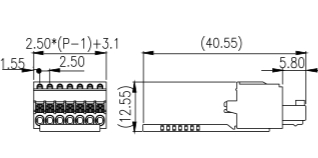
Plug can connect with reflow-solderable sockets




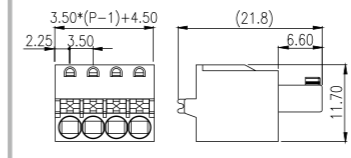
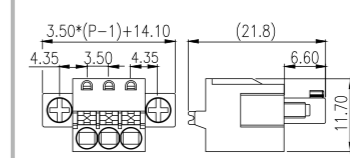
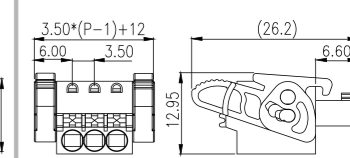
**Connection method: Push-in connection**  
**Pitch: 2.50mm / 3.50mm / 3.81mm / 5.0mm / 5.08mm / 7.62mm**  
**UL Rated: 150V / 4A ~ 300V / 15A**  
**IEC Rated: 250V / 12A ~ 800V / 15A**

- Direct Push-in connection single-level and front twin connection plugs
- Mounting by screw flange and Release tool.
- With testing holes




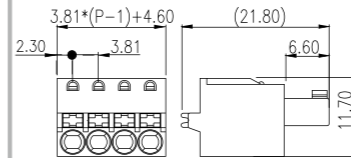
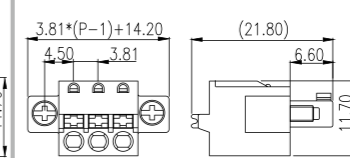
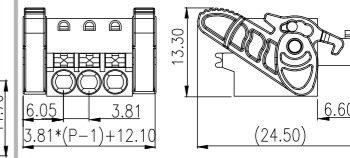
### Testing hole dimensions

Product series	Pitch(mm)	Hole Ø (mm)
ESC250	2.50	1.10
ESC350	3.50	1.25
ESC381	3.81	1.25
5ESDS	5.00	2.30
2ESDS	5.08	2.30
ESC508	5.08	1.25
3ESDS	7.62	2.30

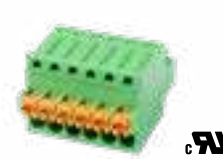

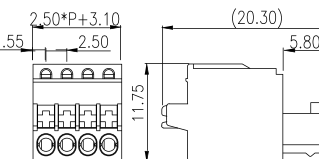
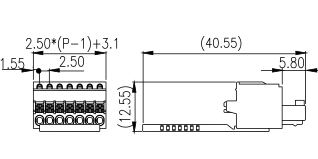
2.50mm		ESC250V-XXP	ESC250L-XXP	Socket	
Technical Data	UL	IEC			
Rated voltage	150V	320V			
Rated current	4A	4A			
Solid (AWG/mm <sup>2</sup> )	28~20	0.2~0.5			
Flexible (AWG/mm <sup>2</sup> )	28~20	0.2~0.5			
Rated impulse voltage		2.5KV			
Wire strip length	8~9mm				
Number of Positions					
		ESC250V-XXP	02~24P		
		ESC250L-XXP	07~24P		
					
		ECH250R-XXP	P56		
		ECH250R-XXPL	P56		
		ECH250V-XXP	P56		
		ECH250V-XXPL	P56		
		ECHB250R-XXP	P56		
		ECHB250V-XXP	P56		
Please refer to the related page number for the compatible headers.					

3.50mm		ESC350V-XXP	ESC350VM-XXP	ESC350VK-XXP	
Technical Data	UL	IEC			
Rated voltage	300V	500V			
Rated current	8A	10A			
Solid (AWG/mm <sup>2</sup> )	28~16	0.2~1.5			
Flexible (AWG/mm <sup>2</sup> )	28~16	0.2~1.5			
Rated impulse voltage		4KV			
Wire strip length	9~10mm				
Number of Positions					
		ESC350V-XXP	02~24P		
					
		ECH350V-XXP	P57	ECH350VM-XXP	P57
		ECH350V-XXPL	P57	ECH350VM-XXPL	P57
		ECHB350V-XXP	P58	ECHB350VM-XXP	P58
		EECH350V-XXP	P58	EECH350VM-XXP	P58
		ECH350H-XXP	P58	ECH350RM-XXP	P57
		ECH350R-XXP	P57	ECH350RM-XXPL	P57
		ECH350R-XXPL	P57	ECHB350RM-XXP	P58
		ECHB350R-XXP	P58	EECH350RM-XXP	P58
		EECH350R-XXP	P58	ECH350RR-XXP	P57
		ECH350RR-XXP	P57	ECH350RR-XXPL	P57
		ECH350RR-XXPL	P57	Please refer to the related page number for the compatible headers.	
Please refer to the related page number for the compatible headers.					

3.81mm		ESC381V-XXP	ESC381VM-XXP	ESC381VK-XXP	
Technical Data	UL	IEC			
Rated voltage	300V	500V			
Rated current	8A	10A			
Solid (AWG/mm <sup>2</sup> )	28~16	0.2~1.5			
Flexible (AWG/mm <sup>2</sup> )	28~16	0.2~1.5			
Rated impulse voltage		4KV			
Wire strip length	9~10mm				
Number of Positions					
		ESC381V-XXP	02~20P		
					
		ECH381A-XXP	P60	ECH381AM-XXP	P60
		ECH381H-XXP	P60	ECH381RM-XXP	P59
		ECH381R-XXP	P59	ECH381RM-XXPL	P59
		ECH381R-XXPL	P59	ECH381VM-XXP	P59
		ECH381V-XXP	P59	ECH381VM-XXPL	P59
		ECH381V-XXPL	P59	Please refer to the related page number for the compatible headers.	
Please refer to the related page number for the compatible headers.					

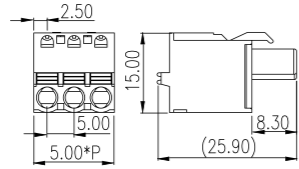
  

2.50mm		ESC250V-XXP	ESC250L-XXP	Socket	
Technical Data	UL	IEC			
Rated voltage	150V	320V			
Rated current	4A	4A			
Solid (AWG/mm <sup>2</sup> )	28~20	0.2~0.5			
Flexible (AWG/mm <sup>2</sup> )	28~20	0.2~0.5			
Rated impulse voltage		2.5KV			
Wire strip length	8~9mm				
Number of Positions					
		ESC250V-XXP	02~24P		
		ESC250L-XXP	07~24P		
					
		ECH250R-XXP	P56		
		ECH250R-XXPL	P56		
		ECH250V-XXP	P56		
		ECH250V-XXPL	P56		
		ECHB250R-XXP	P56		
		ECHB250V-XXP	P56		
Please refer to the related page number for the compatible headers.					

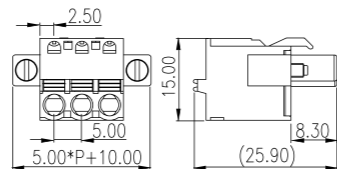
# 5.00mm

Technical Data	UL	IEC
Rated voltage	300V	600V
Rated current	10A	12A
Solid (AWG/mm <sup>2</sup> )		0.2~2.5
Flexible (AWG/mm <sup>2</sup> )	26~12	0.2~2.5
Rated impulse voltage		4KV
Wire strip length	11~12mm	
Number of Positions	02~24P	
Accessories		
ESDK1	P54	
ESDK2	P54	

# 5ESDS-XXP

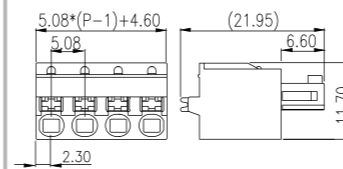


# 5ESDSM-XXP



Technical Data	UL	IEC
Rated voltage	300V	630V
Rated current	8A	8A
Solid (AWG/mm <sup>2</sup> )	28~16	0.2~1.5
Flexible (AWG/mm <sup>2</sup> )	28~16	0.2~1.5
Rated impulse voltage		4KV
Wire strip length	9mm	
Number of Positions	02~24P	

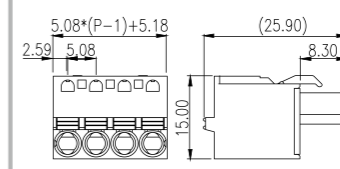
# ESC508V-XXP



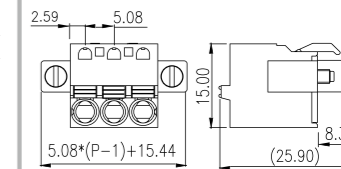
Technical Data	UL	IEC
Rated voltage	300V	600V
Rated current	10A	12A
Solid (AWG/mm <sup>2</sup> )		0.2~2.5
Flexible (AWG/mm <sup>2</sup> )	26~12	0.2~2.5
Rated impulse voltage		4KV
Wire strip length	11~12mm	
Number of Positions	02~24P	
Accessories		
ESDK1	P54	
ESDK2	P54	

\* IEC=630V, 18A

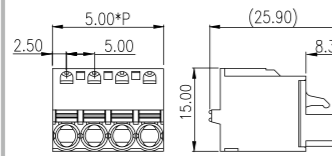
# 2ESDS-XXP



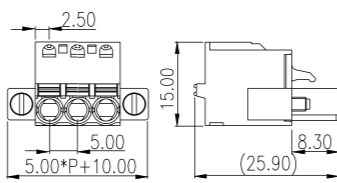
# 2ESDSM-XXP



# 5ESDSR-XXP



# 5ESDSRM-XXP

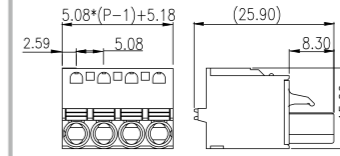


# Socket

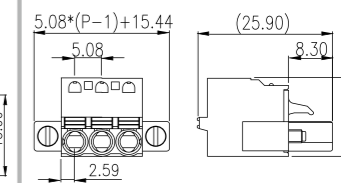
<b>ECH508R-XXP</b>	P63
<b>ECH508V-XXP</b>	P63

Please refer to the related page number for the compatible headers.

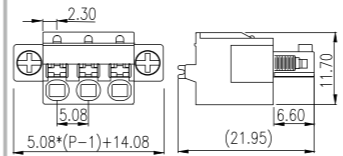
# 2ESDSR-XXP



# 2ESDSRM-XXP



# ESC508VM-XXP



# Socket

<b>ECH508RM-XXP</b>	P63
<b>ECH508VM-XXP</b>	P63

Please refer to the related page number for the compatible headers.

# Socket

Socket		Socket	
<b>5EHDR-XXP</b>	P61	<b>5EHDKPM-XXP</b>	P70
<b>5EHDR-XXPL</b>	P61	<b>5EHDRM-XXP</b>	P62
<b>5EHDR-XXPL</b>	P61	<b>5EHDRM-XXPL</b>	P62
<b>5EHDR-XXPL</b>	P61	<b>5EHDV-XXP</b>	P62
<b>5EHDR-XXPL</b>	P61	<b>5EHDV-XXPL</b>	P62
<b>5EHDR-XXPL</b>	P61	<b>5EHDV-XXPL</b>	P62
<b>5EHDR-XXPL</b>	P61	<b>5EHDV-XXPL</b>	P62
<b>5EHDR-XXPL</b>	P61	<b>5EHDV-XXPL</b>	P62
<b>5EHDR-XXPL</b>	P61	<b>5EHDV-XXPL</b>	P62
<b>5EHDR-XXPL</b>	P61	<b>5EHDV-XXPL</b>	P62
<b>5EHDR-XXPL</b>	P61	<b>5EHDV-XXPL</b>	P62
<b>5EHDR-XXPL</b>	P61	<b>5EHDV-XXPL</b>	P62
<b>5EHDR-XXPL</b>	P61	<b>5EHDV-XXPL</b>	P62
<b>5EHDR-XXPL</b>	P61	<b>5EHDV-XXPL</b>	P62

Please refer to the related page number for the compatible headers.

Please refer to the related page number for the compatible headers.

# Socket


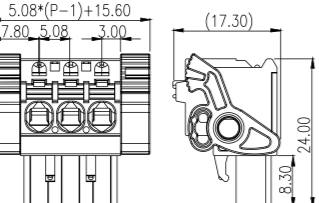
<b>2EHDA-XXP</b>	P63	<b>2EHDRM-XXP</b>	P64
<b>2EHDAC-XXP</b>	P63	<b>2EHDRM-XXPL</b>	P64
<b>2EHDR-XXP</b>	P64	<b>2EHDV-XXP</b>	P64
<b>2EHDR-XXPL</b>	P64	<b>2EHDV-XXPL</b>	P64
<b>2EHDRC-XXP</b>	P64	<b>2EHDV-XXPL</b>	P64
<b>2EHDRC-XXPL</b>	P64	<b>2EHDV-XXPL</b>	P64
<b>2EHDV-XXP</b>	P64	<b>2EHDV-XXPL</b>	P64
<b>2EHDV-XXPL</b>	P64	<b>2EHDV-XXPL</b>	P64
<b>2EHDV-XXPL</b>	P64	<b>2EHDV-XXPL</b>	P64
<b>2EHDV-XXPL</b>	P64	<b>2EHDV-XXPL</b>	P64
<b>2EHDV-XXPL</b>	P64	<b>2EHDV-XXPL</b>	P64
<b>2EHDV-XXPL</b>	P64	<b>2EHDV-XXPL</b>	P64
<b>2EHDV-XXPL</b>	P64	<b>2EHDV-XXPL</b>	P64

Please refer to the related page number for the compatible headers.

Please refer to the related page number for the compatible headers.


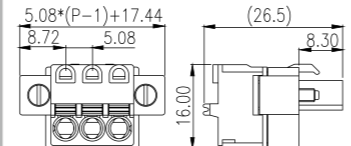
### 5.08mm

Technical Data	UL	IEC
Rated voltage	300V	630V
Rated current	10A	18A
Solid (AWG/mm <sup>2</sup> )	26-12	0.2-2.5
Flexible (AWG/mm <sup>2</sup> )	26-12	0.2-2.5
Rated impulse voltage		4KV
Wire strip length	12-13mm	
Number of Positions		
02-24P		
Accessories		
ESDK1	P54	
ESDK2	P54	


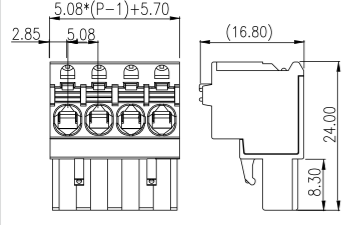



### 5.08mm


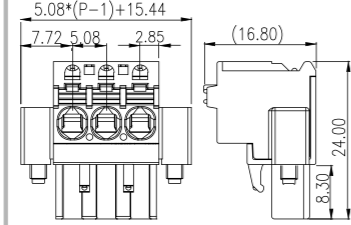
Technical Data	UL	IEC
Rated voltage	300V	1000V
Rated current	10A	12A
Solid (AWG/mm <sup>2</sup> )	26-12	0.2-2.5
Flexible (AWG/mm <sup>2</sup> )	26-12	0.2-2.5
Rated impulse voltage		6KV
Wire strip length	11-12mm	
Number of Positions		
02-24P		
Accessories		
ESDK1	P54	
ESDK2	P54	

### 2ESDSV-XXP


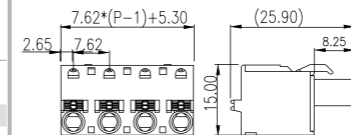
### 2ESDSVM-XXP


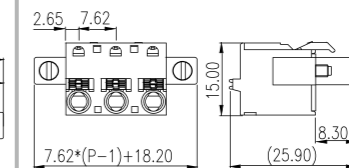
Socket		Socket	
2EHDR-XXP	P64	2EHDRM-XXP	P64
2EHDR-XXPL	P64	2EHDRRM-XXPL	P64
2EHDR-XXPL	P64	2EHDRM-XXPL	P64
2EHDV-XXP	P64	2EHDVM-XXP	P64
2EHDV-XXPL	P64	2EHDVM-XXPL	P64
2EHDVC-XXPL	P64	Please refer to the related page number for the compatible headers.	
Please refer to the related page number for the compatible headers.			

### 7.62mm


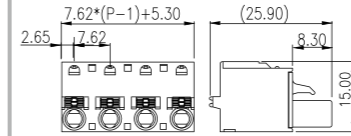
Technical Data	UL	IEC
Rated voltage	300V	800V
Rated current		
3ESDS-XXP	10A	15A
3ESDSR-XXP		
3ESDSM-XXP		
3ESDSRM-XXP		
3ESDSRH	18A	
3ESDSRHM		
Solid (AWG/mm <sup>2</sup> )	26-12	0.2-2.5
Flexible (AWG/mm <sup>2</sup> )	26-12	0.2-2.5
Rated impulse voltage		6KV
Wire strip length		
3ESDS-XXP	10-11mm	
3ESDSR-XXP		
3ESDSM-XXP		
3ESDSRM-XXP		
3ESDSRH	8-9mm	
3ESDSRHM		
Number of Positions		
02-12P		
Accessories		
ESDK1	P54	
ESDK2	P54	


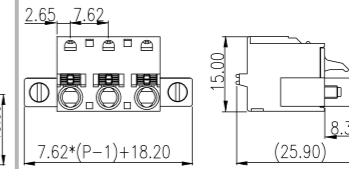
### 3ESDSM-XXP


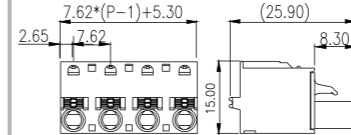
### 3ESDSR-XXP


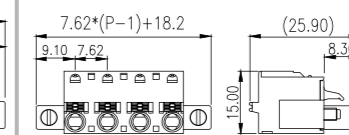
### 3ESDSRM-XXP

### 3ESDSRH-XXP

### 3ESDSRHM-XXP

Socket		Socket	
3EHDR-XXP	P66	3EHDRM-XXP	P66
3EHDR-XXP	P66	3EHDVM-XXP	P66
3EHDV-XXP	P66	Please refer to the related page number for the compatible headers.	
3EHDVC-XXP	P66	Please refer to the related page number for the compatible headers.	
Please refer to the related page number for the compatible headers.			



# PID Plugs & Pin Strips

# Screw Plugs & Pin Strips



Connection method: Push-in connection  
Screw connection

Pitch: 3.50 / 4.0 / 5.0 / 5.08mm  
UL Rated: 150V/2A ~ 300V/12A  
IEC Rated: 160V/4A ~ 320V/17.5A

- 0191 connector cover, as the function of a lever, helps to remove the plug from the pin strip
- Reliable contact structure with high current capacity
- The plug "ED130R-XXP" is designed with a snap-in locking feet making installation on a mounting plate quick and easy
- For the pin strip part number which contains "TH" meaning the plastic is in high temperature withstand material for reflow soldering process.
- 0162 and 0164 series plugs are easy to plug in the pin socket, which is designed to make the combination more stable and solid
- Various lengths of pin strip are available by request



3.50mm		0191-06XX	0191-06XXC	0191-16XXTH
Technical Data	UL	IEC		
Rated voltage	300V	320V		
Rated current	8A	9A		
Solid (AWG/mm <sup>2</sup> )	24~16	0.2~1.5		
Flexible (AWG/mm <sup>2</sup> )	24~16	0.2~1.5		
Rated impulse voltage	4KV			
Wire strip length	8~9mm			
Number of Positions				
0191-06XX	02~20P			
0191-06XXC	02~20P			
0191-16XXTH	02~20P			
*UL=150V IEC=160V Pin strip:0191-16XXTH Various pin lengths available				

5.00mm		ED130R-XXP	EDH130-21XX	EDH130-21XXTHT
Technical Data	UL	IEC		
Rated voltage	300V	320V		
Rated current	12A	10A		
Solid (AWG/mm <sup>2</sup> )	22~14	0.5~1.5		
Flexible (AWG/mm <sup>2</sup> )	22~14	0.5~1.5		
Rated impulse voltage	4KV			
Torque (N-m)	0.3			
Screw	M2.5			
Wire strip length	5~6mm			
Number of Positions				
ED130R-XXP	02~20P			
EDH130-21XX	02~20P			
EDH130-21XXTHT	02~20P			

5.00mm		ED130F-XXP	EDH130F-XX/12.6	EDH130F-XXTH126
Technical Data	UL	IEC		
Rated voltage	300V	320V		
Rated current	7A	10A		
Solid (AWG/mm <sup>2</sup> )	22~14	0.5~1.5		
Flexible (AWG/mm <sup>2</sup> )	22~14	0.5~1.5		
Rated impulse voltage	4KV			
Torque (N-m)	0.3~0.4			
Screw	M2.5			
Wire strip length	5~6mm			
Number of Positions				
ED130F-XXP	02~20P			
EDH130F-XXTH126	02~24P			
EDH130F-XX/12.6	02~24P			

3.50mm		0191-01XX	0191-01XXC	0191-11XXTH
Technical Data	UL	IEC		
Rated voltage	150V	160V		
Rated current	2A	4A		
Solid (AWG/mm <sup>2</sup> )	28~16	0.5~1.5		
Flexible (AWG/mm <sup>2</sup> )	28~16	0.5~1.5		
Rated impulse voltage	3KV			
Wire strip length	8~9mm			
Number of Positions				
02~20P				
* Pin strip: 0191-11XXTH				

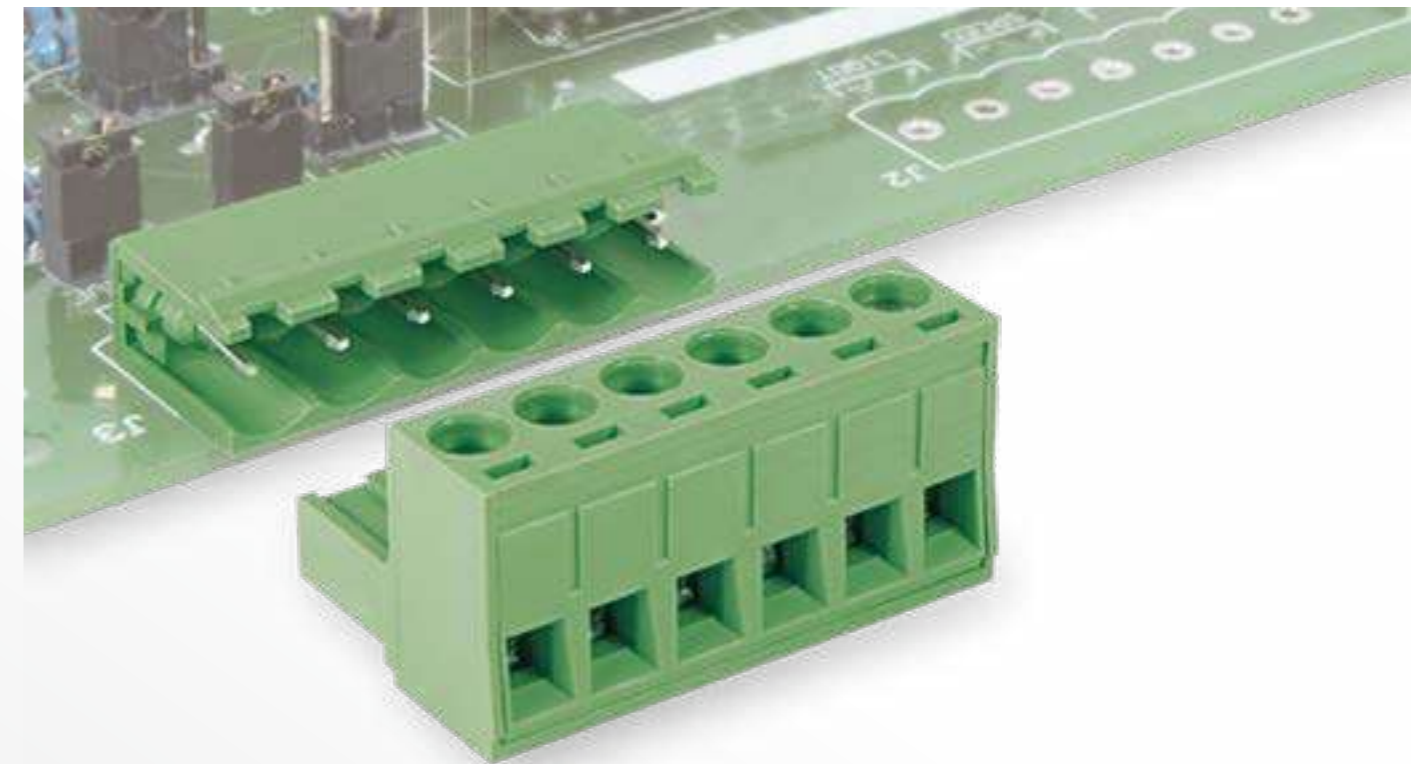
5.00mm		0191-02XX	0191-02XXC	0191-12XXTH
Technical Data	UL	IEC		
Rated voltage	300V	320V		
Rated current	2A	4A		
Solid (AWG/mm <sup>2</sup> )	28~16	0.5~1.5		
Flexible (AWG/mm <sup>2</sup> )	28~16	0.5~1.5		
Rated impulse voltage	4KV			
Screw	8~9mm			
Number of Positions				
02~20P				
*UL=5A Pin strip:0191-12XXTH Various pin lengths available				

5.00mm		0191-04XX	0191-04XXC
Technical Data	UL	IEC	
Rated voltage	300V	320V	
Rated current	5A	5A	
Solid (AWG/mm <sup>2</sup> )	24~16	0.5~1.5	
Flexible (AWG/mm <sup>2</sup> )	24~16	0.5~1.5	
Rated impulse voltage	4KV		
Wire strip length	8mm		
Number of Positions			
02~20P			

5.00mm		0191-05XX	EDH130S-20XXTHT
Technical Data	UL	IEC	
Rated voltage	300V	630A	
Rated current	7A	9A	
Solid (AWG/mm <sup>2</sup> )	24~18	0.2~0.75	
Flexible (AWG/mm <sup>2</sup> )	24~18	0.2~0.75	
Rated impulse voltage	4KV		
Wire strip length	6~7mm		
Number of Positions			
0190-05XX	02~24P		
EDH130S-20XXTHT	03P,05P,06P		

4.00mm		0162-01XX	0162-A1XX	0162-11XX																													
<table border="1"> <tr><th>Technical Data</th><th>UL</th><th>IEC</th></tr> <tr><td>Rated voltage</td><td>300V</td><td>320V</td></tr> <tr><td>Rated current</td><td>10A</td><td>17.5A</td></tr> <tr><td>Solid (AWG/mm<sup>2</sup>)</td><td>24~14</td><td>0.2~2.5</td></tr> <tr><td>Flexible (AWG/mm<sup>2</sup>)</td><td>24~14</td><td>0.2~2.5</td></tr> <tr><td>Rated impulse voltage</td><td colspan="2">4KV</td></tr> <tr><td>Torque (N-m)</td><td colspan="2">0.45</td></tr> <tr><td>Screw</td><td colspan="2">M2.5</td></tr> <tr><td>Wire strip length</td><td colspan="2">6~7mm</td></tr> <tr><td>Number of Positions</td><td colspan="2">02~24P</td></tr> </table> <p>• Socket: 0162-11XX</p>	Technical Data	UL	IEC	Rated voltage	300V	320V	Rated current	10A	17.5A	Solid (AWG/mm <sup>2</sup> )	24~14	0.2~2.5	Flexible (AWG/mm <sup>2</sup> )	24~14	0.2~2.5	Rated impulse voltage	4KV		Torque (N-m)	0.45		Screw	M2.5		Wire strip length	6~7mm		Number of Positions	02~24P				
Technical Data	UL	IEC																															
Rated voltage	300V	320V																															
Rated current	10A	17.5A																															
Solid (AWG/mm <sup>2</sup> )	24~14	0.2~2.5																															
Flexible (AWG/mm <sup>2</sup> )	24~14	0.2~2.5																															
Rated impulse voltage	4KV																																
Torque (N-m)	0.45																																
Screw	M2.5																																
Wire strip length	6~7mm																																
Number of Positions	02~24P																																
4.00mm		0162-06XX	0162-A6XX																														
<table border="1"> <tr><th>Technical Data</th><th>UL</th><th>IEC</th></tr> <tr><td>Rated voltage</td><td>300V</td><td>320V</td></tr> <tr><td>Rated current</td><td>10A</td><td>10A</td></tr> <tr><td>Solid (AWG/mm<sup>2</sup>)</td><td>24~14</td><td>0.2~1.5</td></tr> <tr><td>Flexible (AWG/mm<sup>2</sup>)</td><td>24~14</td><td>0.2~1.5</td></tr> <tr><td>Rated impulse voltage</td><td colspan="2">4KV</td></tr> <tr><td>Wire strip length</td><td colspan="2">10~11mm</td></tr> <tr><td>Number of Positions</td><td colspan="2">02~24P</td></tr> </table> <p>• Socket: 0162-11XX</p>	Technical Data	UL	IEC	Rated voltage	300V	320V	Rated current	10A	10A	Solid (AWG/mm <sup>2</sup> )	24~14	0.2~1.5	Flexible (AWG/mm <sup>2</sup> )	24~14	0.2~1.5	Rated impulse voltage	4KV		Wire strip length	10~11mm		Number of Positions	02~24P										
Technical Data	UL	IEC																															
Rated voltage	300V	320V																															
Rated current	10A	10A																															
Solid (AWG/mm <sup>2</sup> )	24~14	0.2~1.5																															
Flexible (AWG/mm <sup>2</sup> )	24~14	0.2~1.5																															
Rated impulse voltage	4KV																																
Wire strip length	10~11mm																																
Number of Positions	02~24P																																
5.08mm		0164-01XX 0164-01XX(T)	0164-A1XX 0164-A1XX(T)	0164-11XX (0164-11XXL)																													
<table border="1"> <tr><th>Technical Data</th><th>UL</th><th>IEC</th></tr> <tr><td>Rated voltage</td><td>300V</td><td>320V</td></tr> <tr><td>Rated current</td><td>10A</td><td>15A</td></tr> <tr><td>Solid (AWG/mm<sup>2</sup>)</td><td>26~12</td><td>0.2~2.5</td></tr> <tr><td>Flexible (AWG/mm<sup>2</sup>)</td><td>26~12</td><td>0.2~2.5</td></tr> <tr><td>Rated impulse voltage</td><td colspan="2">4KV</td></tr> <tr><td>Torque (N-m)</td><td colspan="2">0.5~0.6</td></tr> <tr><td>Screw</td><td colspan="2">M3/M2.5</td></tr> <tr><td>Wire strip length</td><td colspan="2">6~7mm</td></tr> <tr><td>Number of Positions</td><td colspan="2">02~24P</td></tr> </table> <p>• Socket: 0164-11XX, 0164-12XX</p>	Technical Data	UL	IEC	Rated voltage	300V	320V	Rated current	10A	15A	Solid (AWG/mm <sup>2</sup> )	26~12	0.2~2.5	Flexible (AWG/mm <sup>2</sup> )	26~12	0.2~2.5	Rated impulse voltage	4KV		Torque (N-m)	0.5~0.6		Screw	M3/M2.5		Wire strip length	6~7mm		Number of Positions	02~24P				
Technical Data	UL	IEC																															
Rated voltage	300V	320V																															
Rated current	10A	15A																															
Solid (AWG/mm <sup>2</sup> )	26~12	0.2~2.5																															
Flexible (AWG/mm <sup>2</sup> )	26~12	0.2~2.5																															
Rated impulse voltage	4KV																																
Torque (N-m)	0.5~0.6																																
Screw	M3/M2.5																																
Wire strip length	6~7mm																																
Number of Positions	02~24P																																
	0164-02XX	0164-A2XX	0164-12XX (0164-12XXL)																														

# Screw Connection Plugs



Connection method: Screw connection

Pitch: 3.50mm / 3.81mm / 5.00mm / 5.08mm / 6.35mm / 7.50mm / 7.62mm

UL Rated: 300V / 8A ~ 600V / 20A

IEC Rated: 320V / 14A ~ 1000V / 16A

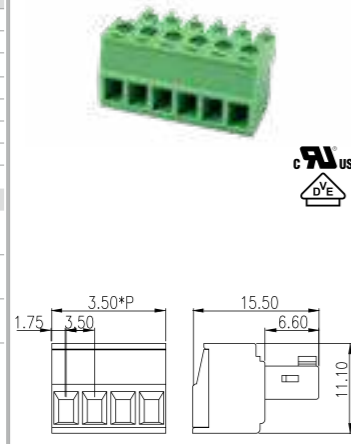
- Mating sockets include versions for wave soldering and reflow soldering
- Key codes available for fool-proof
- Rigid structure for excellent durability

The wire cage structure uses a high carbon steel material that undergoes a two-stage heat treatment process which strengthens the steel while maintaining ductility. The screw connection features a large contact surface that is suitable for solid and stranded wires. The wire cage is designed to ensure tight contact point which helps to achieve the low contact resistance and resistance to corrosion.

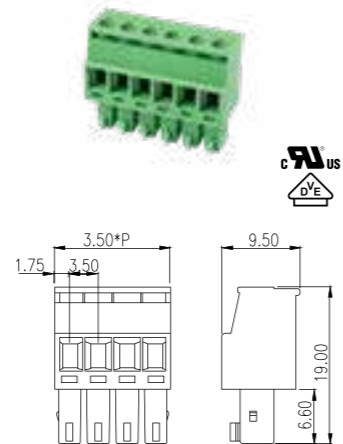
### 3.50mm

Technical Data	UL	IEC
Rated voltage	300V	320V
Rated current	8A	14A
Solid (AWG/mm <sup>2</sup> )	28~14	0.2~1.5
Flexible (AWG/mm <sup>2</sup> )	28~14	0.2~1.5
Rated impulse voltage	2.5KV	
Torque (N-m)	0.2~0.25	
Screw	M2	
Wire strip length	6~7mm	
Number of Positions		
EC350RM-XXP	02~20P	
EC350RLM-XXP	02~22P	
EC350R-XXP	02~22P	
EC350RL-XXP	02~22P	
EC350V-XXP	02~24P	
EC350VM-XXP	02~24P	

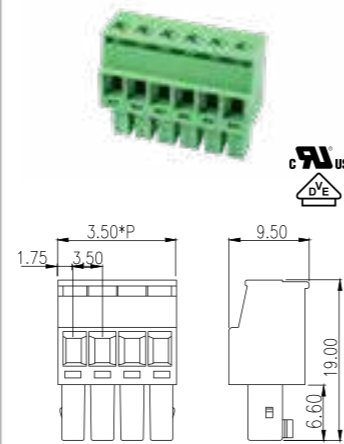
#### EC350V-XXP



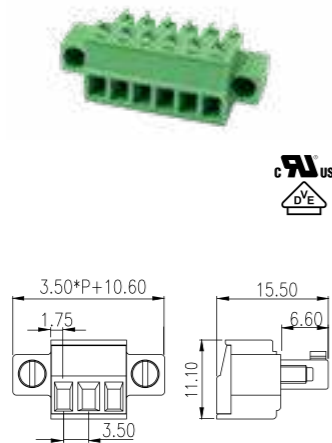
#### EC350R-XXP



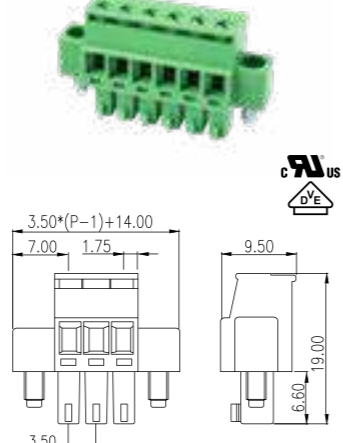
#### EC350RL-XXP



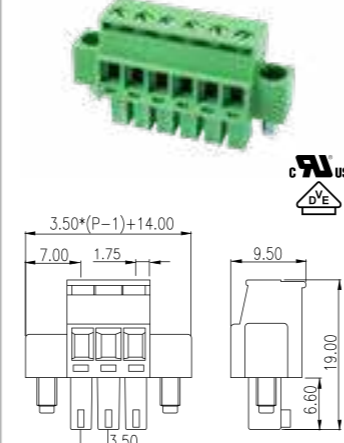
#### EC350VM-XXP



#### EC350RM-XXP



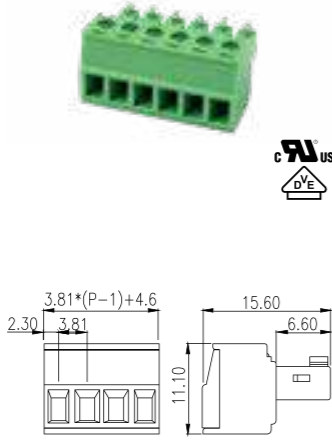
#### EC350RLM-XXP



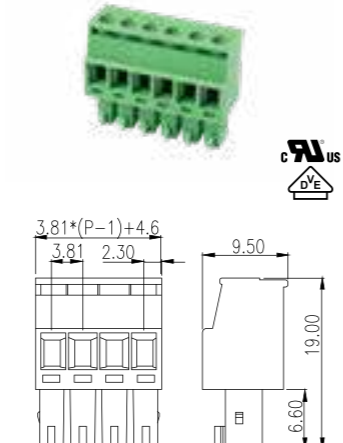
### 3.81mm

Technical Data	UL	IEC
Rated voltage	300V	320V
Rated current	8A	14A
Solid (AWG/mm <sup>2</sup> )	28~14	0.2~1.5
Flexible (AWG/mm <sup>2</sup> )	28~14	0.2~1.5
Rated impulse voltage	2.5KV	
Torque (N-m)	0.2~2.5	
Screw	M2	
Wire strip length	6~7mm	
Number of Positions		
EC381RM-XXP	02~20P	
EC381RLM-XXP	02~22P	
EC381R-XXP	02~22P	
EC381RL-XXP	02~22P	
EC381V-XXP	02~24P	
EC381VM-XXP	02~24P	

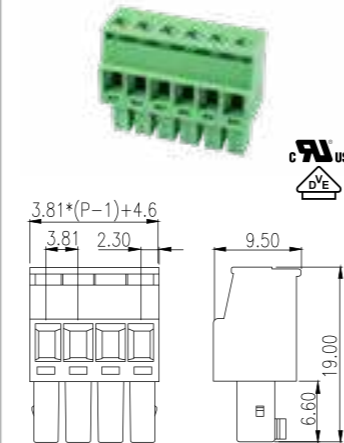
#### EC381V-XXP



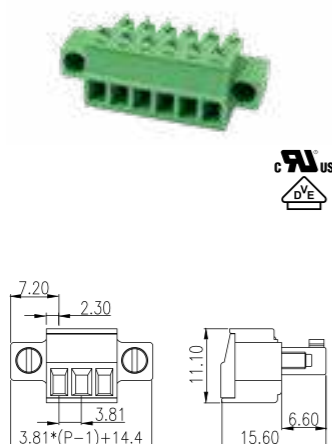
#### EC381R-XXP



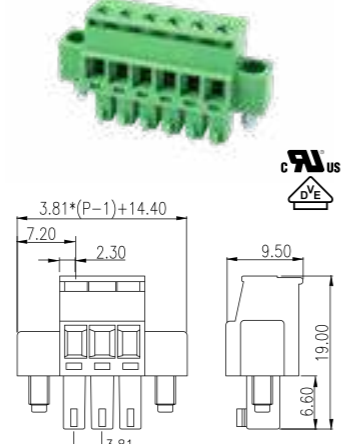
#### EC381RL-XXP



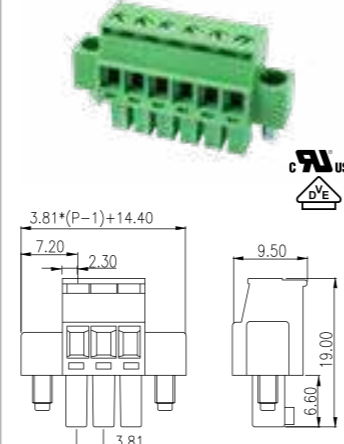
#### EC381VM-XXP



#### EC381RM-XXP



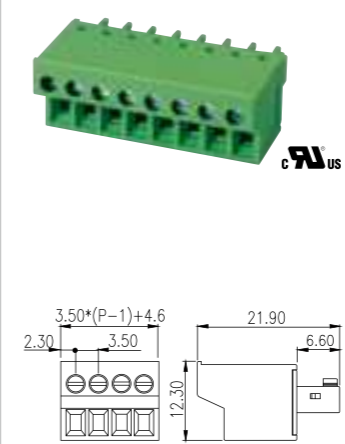
#### EC381RLM-XXP



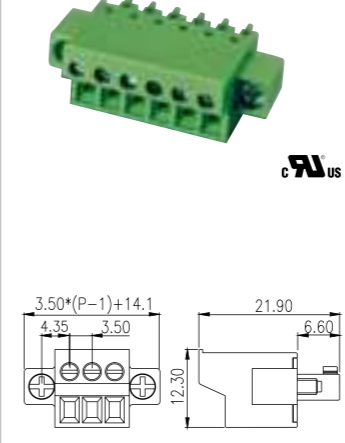
### 3.50mm

Technical Data	UL	IEC
Rated voltage	300V	320V
Rated current	8A	14A
Solid (AWG/mm <sup>2</sup> )	30~14	0.2~1.5
Flexible (AWG/mm <sup>2</sup> )	30~14	0.2~1.5
Rated impulse voltage	2KV 2.5KV	
Torque (N-m)	0.2~0.25	
Screw	M2	
Wire strip length	8~9mm	
Number of Positions		
02~24P		

#### EC350F-XXP



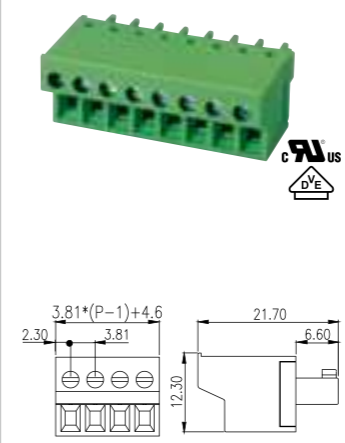
#### EC350FM-XXP



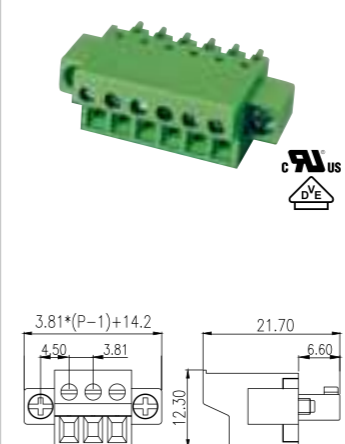
### 3.81mm

Technical Data	UL	IEC
Rated voltage	300V	320V
Rated current	8A	14A
Solid (AWG/mm <sup>2</sup> )	30~14	0.2~1.5
Flexible (AWG/mm <sup>2</sup> )	30~14	0.2~1.5
Rated impulse voltage	2.5KV	
Torque (N-m)	0.2~2.5	
Screw	M2	
Wire strip length	8~9mm	
Number of Positions		
EC381FM-XXP	02~22P	
EC381F-XXP	02~24P	

#### EC381F-XXP



#### EC381FM-XXP



### Socket

ECH350V-XXP	P57	ECH350H-XXP	P58
ECH350V-XXPL	P57	ECH350R-XXP	P57
ECHB350V-XXP	P58	ECH350R-XXPL	P57
EECH350V-XXP	P58	ECHB350R-XXP	P58
ECH350RR-XXP	P57	EECH350R-XXP	P58
ECH350RR-XXPL	P57		

Please refer to the related page number for the compatible headers.

### Socket

ECH350VM-XXP	P57	ECH350RM-XXP	P57
ECH350VM-XXPL	P57	ECH350RM-XXPL	P57
ECHB350VM-XXP	P58	ECHB350RM-XXP	P58
EECH350VM-XXP	P58	EECH350RM-XXP	P58
ECH350RRM-XXPL	P57	ECH350RRM-XXP	P57

Please refer to the related page number for the compatible headers.

### Socket

ECH381V-XXP	P59	ECH381A-XXP	P60
ECH381V-XXPL	P59	ECH381H-XXP	P60
ECHB381V-XXP	P60	ECH381R-XXP	P59
EECH381V-XXP	P60	ECH381R-XXPL	P59
ECH381RR-XXP	P59	ECHB381R-XXP	P60
ECH381RR-XXPL	P59	EECH381R-XXP	P60

Please refer to the related page number for the compatible headers.


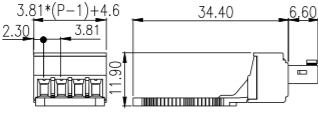
### Socket

ECH381VM-XXP	P59	ECH381AM-XXP	P60
ECH381VM-XXPL	P59	ECH381RM-XXP	P59
ECHP381V-XXP	P69	ECH381RM-XXPL	P59
ECHB381VM-XXP	P60	ECHB381RM-XXP	P60
EECH381VM-XXP	P60	EECH381RM-XXP	P60
ECH381RRM-XXPL	P59	ECH381RRM-XXP	P59

Please refer to the related page number for the compatible headers.

### 3.81mm EC381L-XXP


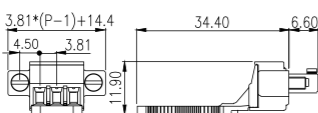
Technical Data		UL	IEC
Rated voltage		300V	320V
Rated current		8A	14A
Solid (AWG/mm <sup>2</sup> )		28~14	0.2~1.5
Flexible (AWG/mm <sup>2</sup> )		28~14	0.2~1.5
Rated impulse voltage			2.5KV
Torque (N-m)		0.2~0.25	
Screw		M2	
Wire strip length		6~7mm	
Number of Positions 02~09P			

Socket			
ECH381V-XXP	P59	ECH381A-XXP	P60
ECH381V-XXPL	P59	ECH381H-XXP	P60
ECHB381V-XXP	P60	ECH381R-XXP	P59
EECH381V-XXP	P60	ECH381R-XXPL	P59
ECH381RR-XXP	P59	ECHB381R-XXP	P60
ECH381RR-XXPL	P59	EECH381R-XXP	P60

Please refer to the related page number for the compatible headers.

### 3.81mm EC381LM-XXP


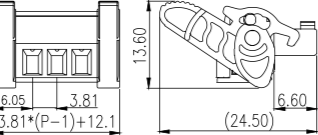



Socket			
ECH381VM-XXP	P59	ECH381AM-XXP	P60
ECH381VM-XXPL	P59	ECH381RM-XXP	P59
ECHP381V-XXP	P69	ECH381RM-XXPL	P59
ECHB381VM-XXP	P60	ECHB381RM-XXP	P60
EECH381VM-XXP	P60	EECH381RM-XXP	P60
ECH381RRM-XXPL	P59	ECH381RRM-XXP	P59

Please refer to the related page number for the compatible headers.

### 3.81mm EC381VK-XXP

Technical Data		UL	IEC
Rated voltage		300V	320V
Rated current		8A	14A
Solid (AWG/mm <sup>2</sup> )		28~14	0.2~1.5
Flexible (AWG/mm <sup>2</sup> )		28~14	0.2~1.5
Rated impulse voltage			2.5KV
Torque (N-m)		0.2~0.25	
Screw		M2	
Wire strip length		6~7mm	
Number of Positions 02~24P			


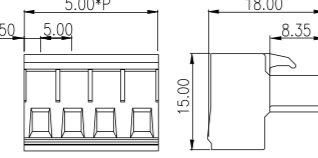



Socket			
ECHB381RRD-XXP	P60		


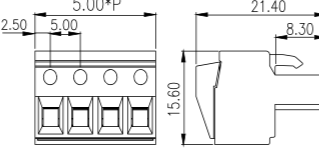
Please refer to the related page number for the compatible headers.

### 5.00mm 5ESDT-XXP

Technical Data		UL	IEC
Rated voltage		300V	600V
Rated current		15A	18A
Solid (AWG/mm <sup>2</sup> )		28~12	0.2~4
Flexible (AWG/mm <sup>2</sup> )		30~12	0.2~2.5
Rated impulse voltage			4KV
Torque (N-m)		0.4~0.5	
Screw		M2.5	
Wire strip length		7~8mm	
Number of Positions 5ESDT-XXP 02~24P 5ESDTS-XXP 02~04P			
Accessories			
ESDK1		P62	
ESDK2		P62	

### 5.00mm 5ESDTS-XXP


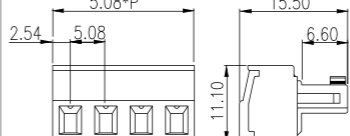



Socket			
5EHDR-XXP	P61		
5EHDRC-XXP	P61		
5EHDV-XXP	P61		
5EHDVC-XXP	P61		
5EH-XPL	P109		
5EH-XPR	P110		
5EHDRR-XXP	P61		
5EHDK-XXP	P79		


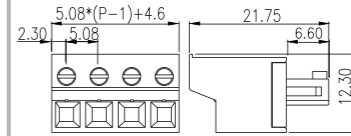
Please refer to the related page number for the compatible headers.

### 5.08mm EC508V-XXP

Technical Data		UL	IEC
Rated voltage		300V	630V
Rated current		12A	14A
Solid (AWG/mm <sup>2</sup> )			
EC508FM-XXP		28~14	0.2~1.5
EC508F-XXP		28~14	
EC508V-XXP		30~14	
Flexible (AWG/mm <sup>2</sup> )			
EC508FM-XXP		28~14	0.2~1.5
EC508F-XXP		28~14	
EC508V-XXP		30~14	
EC508VM-XXP		30~14	
Rated impulse voltage			4KV
Torque (N-m) 0.2~0.25			
Screw		M2	
Wire strip length		8~9mm	
Number of Positions 02~24P			


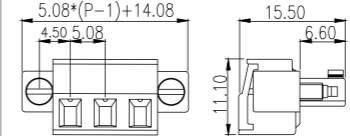
### 5.08mm EC508F-XXP


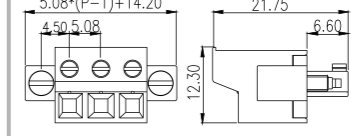
Socket			
ECH508V-XXP	P63		
ECH508R-XXP	P63		

Please refer to the related page number for the compatible headers.

### 5.08mm EC508VM-XXP

### 5.08mm EC508FM-XXP


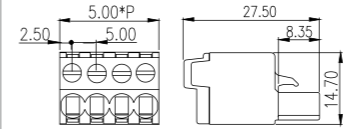



Socket			
ECH508VM-XXP	P63		
ECH508RM-XXP	P63		

Please refer to the related page number for the compatible headers.

### 5.00mm 5ESDF-XXP


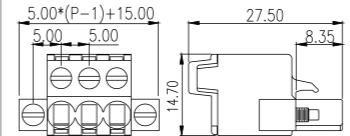
Technical Data		UL	IEC
Rated voltage		300V	600V
Rated current		15A	18A
Solid (AWG/mm <sup>2</sup> )		24~12	0.2~4
Flexible (AWG/mm <sup>2</sup> )		24~12	0.2~2.5
Rated impulse voltage			4KV
Torque (N-m)		0.4~0.5	
Screw		M2.5	
Wire strip length		9~10mm	
Number of Positions 02~24P			
Accessories			
ESDK1		P54	
ESDK2		P54	

Socket			
5EHDV-XXP	P61	5EHDR-XXP	P61
5EHDV-XXPL	P61	5EHDRC-XXPL	P61
5EHDVC-XXP	P61	5EHDDB-XXP	P62
5EHDVC-XXPL	P61	5EHDRC-XXPL	P61
5EHDVB-XXP	P62	5EHDRC-XXP	P61
5EEHDV-XXP	P62	5EEHDR-XXP	P62
5EHDR-XXP	P61	5EHDRC-XXPL	P61
5EHDR-XXPL	P61		
5EHDRC-XXPL	P61		

Please refer to the related page number for the compatible headers.

### 5.00mm 5ESDFM-XXP






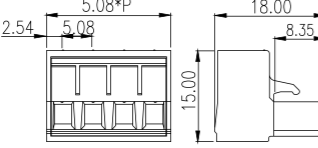
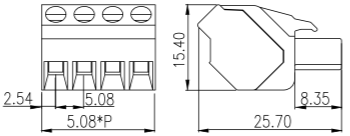
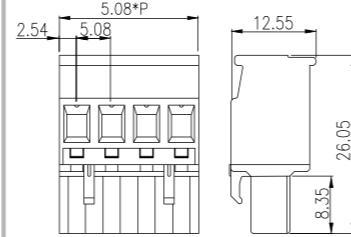
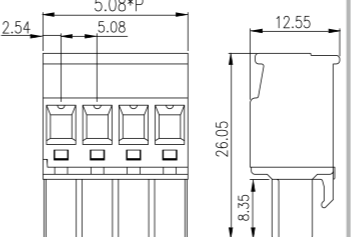
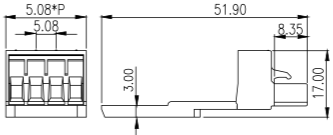
Socket			
5EHDVM-XXP	P62	5EHDKPM-XXP/T	P62
5EHDVM-XXPL	P62	5EHDDB-XXP	P62
5EHDVB-XXP	P62	5EEHDR-XXP	P62
5EEHDVM-XXP	P62	5EHDRC-XXPL	P61
5EHDRM-XXP	P62		
5EHDRM-XXPL	P62		






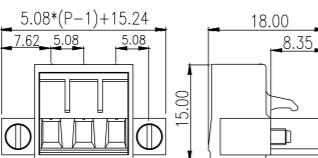
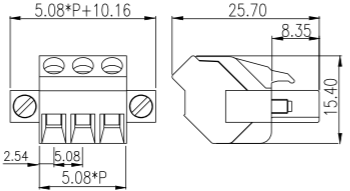
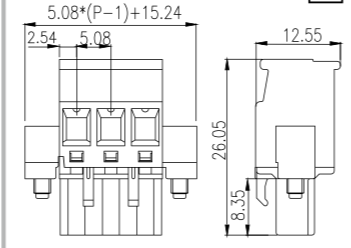
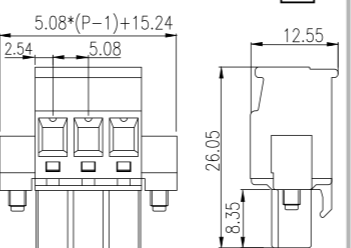
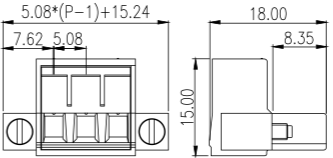
Please refer to the related page number for the compatible headers.


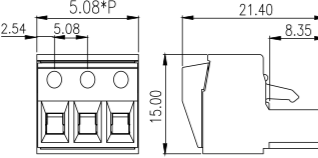
5.00mm			5ESDV-XXP	5ESDA-XXP	5ESDP-XXP	5ESDPL-XXP	Socket																																																																																			
<table border="1"> <tr><td>Technical Data</td><td>UL</td><td>IEC</td></tr> <tr><td>Rated voltage</td><td>300V</td><td>600V</td></tr> <tr><td>Rated current</td><td>15A</td><td>18A</td></tr> <tr><td>Solid (AWG/mm<sup>2</sup>)</td><td>30~12</td><td>0.2~4</td></tr> <tr><td>Flexible (AWG/mm<sup>2</sup>)</td><td>30~12</td><td>0.2~2.5</td></tr> <tr><td>Rated impulse voltage</td><td></td><td>4KV</td></tr> <tr><td>Torque (N-m)</td><td colspan="2">0.4~0.5</td></tr> <tr><td>Screw</td><td colspan="2">M2.5</td></tr> <tr><td>Wire strip length</td><td colspan="2">7~8mm</td></tr> <tr><td colspan="3">Number of Positions</td></tr> <tr><td colspan="3">02~24P</td></tr> <tr><td colspan="3">Accessories</td></tr> <tr><td>ESDK1</td><td colspan="2">P54</td></tr> <tr><td>ESDK2</td><td colspan="2">P54</td></tr> </table>	Technical Data	UL	IEC	Rated voltage	300V	600V	Rated current	15A	18A	Solid (AWG/mm <sup>2</sup> )	30~12	0.2~4	Flexible (AWG/mm <sup>2</sup> )	30~12	0.2~2.5	Rated impulse voltage		4KV	Torque (N-m)	0.4~0.5		Screw	M2.5		Wire strip length	7~8mm		Number of Positions			02~24P			Accessories			ESDK1	P54		ESDK2	P54						<table border="1"> <tr><td>5EHDV-XXP</td><td>P61</td><td>5EHDR-XXPL</td><td>P61</td></tr> <tr><td>5EHDV-XXPL</td><td>P61</td><td>5EHDBR-XXP</td><td>P62</td></tr> <tr><td>5EHDVC-XXP</td><td>P61</td><td>5EHDRR-XXP</td><td>P61</td></tr> <tr><td>5EHDVC-XXPL</td><td>P61</td><td>5EHDRRC-XXP</td><td>P61</td></tr> <tr><td>5EHDBV-XXP</td><td>P62</td><td>5EEHDR-XXP</td><td>P62</td></tr> <tr><td>5EEHDV-XXP</td><td>P62</td><td>5EHDRR-XXPL</td><td>P61</td></tr> <tr><td>5EHDR-XXP</td><td>P61</td><td>5EHDRRC-XXPL</td><td>P61</td></tr> <tr><td>5EHDR-XXPL</td><td>P61</td><td></td><td></td></tr> <tr><td>5EHDR-XXP</td><td>P61</td><td></td><td></td></tr> </table>	5EHDV-XXP	P61	5EHDR-XXPL	P61	5EHDV-XXPL	P61	5EHDBR-XXP	P62	5EHDVC-XXP	P61	5EHDRR-XXP	P61	5EHDVC-XXPL	P61	5EHDRRC-XXP	P61	5EHDBV-XXP	P62	5EEHDR-XXP	P62	5EEHDV-XXP	P62	5EHDRR-XXPL	P61	5EHDR-XXP	P61	5EHDRRC-XXPL	P61	5EHDR-XXPL	P61			5EHDR-XXP	P61							Please refer to the related page number for the compatible headers.		
Technical Data	UL	IEC																																																																																								
Rated voltage	300V	600V																																																																																								
Rated current	15A	18A																																																																																								
Solid (AWG/mm <sup>2</sup> )	30~12	0.2~4																																																																																								
Flexible (AWG/mm <sup>2</sup> )	30~12	0.2~2.5																																																																																								
Rated impulse voltage		4KV																																																																																								
Torque (N-m)	0.4~0.5																																																																																									
Screw	M2.5																																																																																									
Wire strip length	7~8mm																																																																																									
Number of Positions																																																																																										
02~24P																																																																																										
Accessories																																																																																										
ESDK1	P54																																																																																									
ESDK2	P54																																																																																									
5EHDV-XXP	P61	5EHDR-XXPL	P61																																																																																							
5EHDV-XXPL	P61	5EHDBR-XXP	P62																																																																																							
5EHDVC-XXP	P61	5EHDRR-XXP	P61																																																																																							
5EHDVC-XXPL	P61	5EHDRRC-XXP	P61																																																																																							
5EHDBV-XXP	P62	5EEHDR-XXP	P62																																																																																							
5EEHDV-XXP	P62	5EHDRR-XXPL	P61																																																																																							
5EHDR-XXP	P61	5EHDRRC-XXPL	P61																																																																																							
5EHDR-XXPL	P61																																																																																									
5EHDR-XXP	P61																																																																																									

5.00mm			5ESDVM-XXP	5ESDAM-XXP	5ESDPM-XXP	5ESDPLM-XXP	Socket																																																																			
<table border="1"> <tr><td>Technical Data</td><td>UL</td><td>IEC</td></tr> <tr><td>Rated voltage</td><td>300V</td><td>600V</td></tr> <tr><td>Rated current</td><td>15A</td><td>18A</td></tr> <tr><td>Solid (AWG/mm<sup>2</sup>)</td><td>30~12</td><td>0.2~4</td></tr> <tr><td>Flexible (AWG/mm<sup>2</sup>)</td><td>30~12</td><td>0.2~2.5</td></tr> <tr><td>Rated impulse voltage</td><td></td><td>4KV</td></tr> <tr><td>Torque (N-m)</td><td colspan="2">0.4~0.5</td></tr> <tr><td>Screw</td><td colspan="2">M2.5</td></tr> <tr><td>Wire strip length</td><td colspan="2">7~8mm</td></tr> <tr><td colspan="3">Number of Positions</td></tr> <tr><td colspan="3">02~24P</td></tr> <tr><td colspan="3">Accessories</td></tr> <tr><td>ESDK1</td><td colspan="2">P54</td></tr> <tr><td>ESDK2</td><td colspan="2">P54</td></tr> </table>	Technical Data	UL	IEC	Rated voltage	300V	600V	Rated current	15A	18A	Solid (AWG/mm <sup>2</sup> )	30~12	0.2~4	Flexible (AWG/mm <sup>2</sup> )	30~12	0.2~2.5	Rated impulse voltage		4KV	Torque (N-m)	0.4~0.5		Screw	M2.5		Wire strip length	7~8mm		Number of Positions			02~24P			Accessories			ESDK1	P54		ESDK2	P54						<table border="1"> <tr><td>5EHDVM-XXP</td><td>P62</td><td>5EHDRM-XXPL</td><td>P62</td></tr> <tr><td>5EHDVM-XXPL</td><td>P62</td><td>5EHDKPM-XXP</td><td>P70</td></tr> <tr><td>5EHDBVM-XXP</td><td>P62</td><td>5EHDBRM-XXP</td><td>P62</td></tr> <tr><td>5EEHDVM-XXP</td><td>P62</td><td>5EEHDRM-XXP</td><td>P62</td></tr> <tr><td>5EHDRM-XXP</td><td>P62</td><td>5EHDRRM-XXPL</td><td>P62</td></tr> </table>	5EHDVM-XXP	P62	5EHDRM-XXPL	P62	5EHDVM-XXPL	P62	5EHDKPM-XXP	P70	5EHDBVM-XXP	P62	5EHDBRM-XXP	P62	5EEHDVM-XXP	P62	5EEHDRM-XXP	P62	5EHDRM-XXP	P62	5EHDRRM-XXPL	P62					Please refer to the related page number for the compatible headers.		
Technical Data	UL	IEC																																																																								
Rated voltage	300V	600V																																																																								
Rated current	15A	18A																																																																								
Solid (AWG/mm <sup>2</sup> )	30~12	0.2~4																																																																								
Flexible (AWG/mm <sup>2</sup> )	30~12	0.2~2.5																																																																								
Rated impulse voltage		4KV																																																																								
Torque (N-m)	0.4~0.5																																																																									
Screw	M2.5																																																																									
Wire strip length	7~8mm																																																																									
Number of Positions																																																																										
02~24P																																																																										
Accessories																																																																										
ESDK1	P54																																																																									
ESDK2	P54																																																																									
5EHDVM-XXP	P62	5EHDRM-XXPL	P62																																																																							
5EHDVM-XXPL	P62	5EHDKPM-XXP	P70																																																																							
5EHDBVM-XXP	P62	5EHDBRM-XXP	P62																																																																							
5EEHDVM-XXP	P62	5EEHDRM-XXP	P62																																																																							
5EHDRM-XXP	P62	5EHDRRM-XXPL	P62																																																																							

5.08mm			2ESDF-XXP	Socket				5.08mm			2ESDVH-XXP	Socket																																																																																																																														
<table border="1"> <tr><td>Technical Data</td><td>UL</td><td>IEC</td></tr> <tr><td>Rated voltage</td><td>300V</td><td>600V</td></tr> <tr><td>Rated current</td><td>15A</td><td>18A</td></tr> <tr><td>Solid (AWG/mm<sup>2</sup>)</td><td>24~12</td><td>0.2~4</td></tr> <tr><td>Flexible (AWG/mm<sup>2</sup>)</td><td>24~12</td><td>0.2~2.5</td></tr> <tr><td>Rated impulse voltage</td><td></td><td>4KV</td></tr> <tr><td>Torque (N-m)</td><td colspan="2">0.4~0.5</td></tr> <tr><td>Screw</td><td colspan="2">M2.5</td></tr> <tr><td>Wire strip length</td><td colspan="2">9~10mm</td></tr> <tr><td colspan="3">Number of Positions</td></tr> <tr><td colspan="3">02~24P</td></tr> </table>	Technical Data	UL	IEC	Rated voltage	300V	600V	Rated current	15A	18A	Solid (AWG/mm <sup>2</sup> )	24~12	0.2~4	Flexible (AWG/mm <sup>2</sup> )	24~12	0.2~2.5	Rated impulse voltage		4KV	Torque (N-m)	0.4~0.5		Screw	M2.5		Wire strip length	9~10mm		Number of Positions			02~24P				<table border="1"> <tr><td>2EHDV-XXP</td><td>P64</td><td>2EHDR-XXP</td><td>P64</td></tr> <tr><td>2EHDV-XXPL</td><td>P64</td><td>2EHDR-XXPL</td><td>P64</td></tr> <tr><td>2EHDVC-XXP</td><td>P64</td><td>2EHDA-XXP</td><td>P63</td></tr> <tr><td>2EHDVC-XXPL</td><td>P64</td><td>2EHDAC-XXP</td><td>P63</td></tr> <tr><td>2EHDBV-XXP</td><td>P65</td><td>2EHDBR-XXP</td><td>P65</td></tr> <tr><td>2EEHDV-XXP</td><td>P65</td><td>2EEHDR-XXP</td><td>P65</td></tr> <tr><td>2EHDR-XXP</td><td>P64</td><td>2EHDRR-XXPL</td><td>P64</td></tr> <tr><td>2EHDR-XXPL</td><td>P64</td><td>2EHDRRC-XXPL</td><td>P64</td></tr> </table>	2EHDV-XXP	P64	2EHDR-XXP	P64	2EHDV-XXPL	P64	2EHDR-XXPL	P64	2EHDVC-XXP	P64	2EHDA-XXP	P63	2EHDVC-XXPL	P64	2EHDAC-XXP	P63	2EHDBV-XXP	P65	2EHDBR-XXP	P65	2EEHDV-XXP	P65	2EEHDR-XXP	P65	2EHDR-XXP	P64	2EHDRR-XXPL	P64	2EHDR-XXPL	P64	2EHDRRC-XXPL	P64	<table border="1"> <tr><td>Technical Data</td><td>UL</td><td>IEC</td></tr> <tr><td>Rated voltage</td><td>300V</td><td>600V</td></tr> <tr><td>Rated current</td><td>20A</td><td>24A</td></tr> <tr><td>Solid (AWG/mm<sup>2</sup>)</td><td>28~12</td><td>0.2~4</td></tr> <tr><td>Flexible (AWG/mm<sup>2</sup>)</td><td>30~12</td><td>0.2~2.5</td></tr> <tr><td>Rated impulse voltage</td><td></td><td>4KV</td></tr> <tr><td>Torque (N-m)</td><td colspan="2">0.4~0.5</td></tr> <tr><td>Wire strip length</td><td colspan="2">7~8mm</td></tr> <tr><td colspan="3">Number of Positions</td></tr> <tr><td colspan="3">02~24P</td></tr> </table>	Technical Data	UL	IEC	Rated voltage	300V	600V	Rated current	20A	24A	Solid (AWG/mm <sup>2</sup> )	28~12	0.2~4	Flexible (AWG/mm <sup>2</sup> )	30~12	0.2~2.5	Rated impulse voltage		4KV	Torque (N-m)	0.4~0.5		Wire strip length	7~8mm		Number of Positions			02~24P				<table border="1"> <tr><td>2EHDV-XXP</td><td>P64</td><td>2EHDR-XXP</td><td>P64</td></tr> <tr><td>2EHDV-XXPL</td><td>P64</td><td>2EHDR-XXPL</td><td>P64</td></tr> <tr><td>2EHDVC-XXP</td><td>P64</td><td>2EHDA-XXP</td><td>P63</td></tr> <tr><td>2EHDVC-XXPL</td><td>P64</td><td>2EHDAC-XXP</td><td>P63</td></tr> <tr><td>2EHDBV-XXP</td><td>P65</td><td>2EHDBR-XXP</td><td>P65</td></tr> <tr><td>2EEHDV-XXP</td><td>P65</td><td>2EEHDR-XXP</td><td>P65</td></tr> <tr><td>2EHDR-XXP</td><td>P64</td><td>2EHDRR-XXPL</td><td>P64</td></tr> <tr><td>2EHDR-XXPL</td><td>P64</td><td>2EHDRRC-XXPL</td><td>P64</td></tr> </table>	2EHDV-XXP	P64	2EHDR-XXP	P64	2EHDV-XXPL	P64	2EHDR-XXPL	P64	2EHDVC-XXP	P64	2EHDA-XXP	P63	2EHDVC-XXPL	P64	2EHDAC-XXP	P63	2EHDBV-XXP	P65	2EHDBR-XXP	P65	2EEHDV-XXP	P65	2EEHDR-XXP	P65	2EHDR-XXP	P64	2EHDRR-XXPL	P64	2EHDR-XXPL	P64	2EHDRRC-XXPL	P64			Please refer to the related page number for the compatible headers.			
Technical Data	UL	IEC																																																																																																																																								
Rated voltage	300V	600V																																																																																																																																								
Rated current	15A	18A																																																																																																																																								
Solid (AWG/mm <sup>2</sup> )	24~12	0.2~4																																																																																																																																								
Flexible (AWG/mm <sup>2</sup> )	24~12	0.2~2.5																																																																																																																																								
Rated impulse voltage		4KV																																																																																																																																								
Torque (N-m)	0.4~0.5																																																																																																																																									
Screw	M2.5																																																																																																																																									
Wire strip length	9~10mm																																																																																																																																									
Number of Positions																																																																																																																																										
02~24P																																																																																																																																										
2EHDV-XXP	P64	2EHDR-XXP	P64																																																																																																																																							
2EHDV-XXPL	P64	2EHDR-XXPL	P64																																																																																																																																							
2EHDVC-XXP	P64	2EHDA-XXP	P63																																																																																																																																							
2EHDVC-XXPL	P64	2EHDAC-XXP	P63																																																																																																																																							
2EHDBV-XXP	P65	2EHDBR-XXP	P65																																																																																																																																							
2EEHDV-XXP	P65	2EEHDR-XXP	P65																																																																																																																																							
2EHDR-XXP	P64	2EHDRR-XXPL	P64																																																																																																																																							
2EHDR-XXPL	P64	2EHDRRC-XXPL	P64																																																																																																																																							
Technical Data	UL	IEC																																																																																																																																								
Rated voltage	300V	600V																																																																																																																																								
Rated current	20A	24A																																																																																																																																								
Solid (AWG/mm <sup>2</sup> )	28~12	0.2~4																																																																																																																																								
Flexible (AWG/mm <sup>2</sup> )	30~12	0.2~2.5																																																																																																																																								
Rated impulse voltage		4KV																																																																																																																																								
Torque (N-m)	0.4~0.5																																																																																																																																									
Wire strip length	7~8mm																																																																																																																																									
Number of Positions																																																																																																																																										
02~24P																																																																																																																																										
2EHDV-XXP	P64	2EHDR-XXP	P64																																																																																																																																							
2EHDV-XXPL	P64	2EHDR-XXPL	P64																																																																																																																																							
2EHDVC-XXP	P64	2EHDA-XXP	P63																																																																																																																																							
2EHDVC-XXPL	P64	2EHDAC-XXP	P63																																																																																																																																							
2EHDBV-XXP	P65	2EHDBR-XXP	P65																																																																																																																																							
2EEHDV-XXP	P65	2EEHDR-XXP	P65																																																																																																																																							
2EHDR-XXP	P64	2EHDRR-XXPL	P64																																																																																																																																							
2EHDR-XXPL	P64	2EHDRRC-XXPL	P64																																																																																																																																							
	<b>2ESDFM-XXP</b>	<b>Socket</b>																																																																																																																																								
		<table border="1"> <tr><td>2EHDVM-XXP</td><td>P64</td><td>2EHDRM-XXPL</td><td>P64</td></tr> <tr><td>2EHDVM-XXPL</td><td>P64</td><td>2EHDBRM-XXP</td><td>P65</td></tr> <tr><td>2EHDBVM-XXP</td><td>P65</td><td>2EEHDRM-XXP</td><td>P65</td></tr> <tr><td>2EEHDVM-XXP</td><td>P65</td><td>2EHDRRM-XXPL</td><td>P64</td></tr> <tr><td>2EHDRM-XXP</td><td>P64</td><td></td><td></td></tr> </table>	2EHDVM-XXP	P64	2EHDRM-XXPL	P64	2EHDVM-XXPL	P64	2EHDBRM-XXP	P65	2EHDBVM-XXP	P65	2EEHDRM-XXP	P65	2EEHDVM-XXP	P65	2EHDRRM-XXPL	P64	2EHDRM-XXP	P64																																																																																																																						
2EHDVM-XXP	P64	2EHDRM-XXPL	P64																																																																																																																																							
2EHDVM-XXPL	P64	2EHDBRM-XXP	P65																																																																																																																																							
2EHDBVM-XXP	P65	2EEHDRM-XXP	P65																																																																																																																																							
2EEHDVM-XXP	P65	2EHDRRM-XXPL	P64																																																																																																																																							
2EHDRM-XXP	P64																																																																																																																																									
		Please refer to the related page number for the compatible headers.																																																																																																																																								



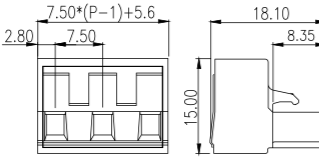
5.08mm		2ESDV-XXP	2ESDA-XXP	2ESDP-XXP	2ESDPL-XXP	2ESDL-XXP	Socket				
Technical Data	UL	IEC						<b>2EHDV-XXP</b>	P64	<b>2EHDRC-XXP</b>	P64
Rated voltage	300V	600V						<b>2EHDV-XXPL</b>	P64	<b>2EHDRC-XXPL</b>	P64
Rated current	15A	18A						<b>2EHDVC-XXP</b>	P64	<b>2EHDA-XXP</b>	P63
Solid (AWG/mm <sup>2</sup> )	28-12	0.2-4						<b>2EHDVC-XXPL</b>	P64	<b>2EHDAC-XXP</b>	P63
Flexible (AWG/mm <sup>2</sup> )	30-12	0.2-2.5						<b>2EHDVBV-XXP</b>	P65	<b>2EHDBR-XXP</b>	P65
Rated impulse voltage		4KV						<b>2EEHDV-XXP</b>	P65	<b>2EEHDR-XXP</b>	P65
Torque (N-m)	0.4-0.5							<b>2EHDR-XXP</b>	P64	<b>2EHDRR-XXPL</b>	P64
Screw	M2.5							<b>2EHDR-XXPL</b>	P64	<b>2EHDRRC-XXPL</b>	P64
Wire strip length	7-8mm							Please refer to the related page number for the compatible headers.			
Number of Positions											
2ESDV-XXP											
2ESDA-XXP											
2ESDVM-XXP	02-24P										
2ESDAM-XXP											
2ESDPM-XXP											
2ESDPLM-XXP											
2ESDVNM-XXP											
2ESDP-XXP	02-26P										
2ESDPL-XXP											
2ESDL-XXP	03-16P										
Accessories											
ESDK1		P54									
ESDK2		P54									

5.08mm		2ESDVM-XXP	2ESDAM-XXP	2ESDPM-XXP	2ESDPLM-XXP	2ESDVNM-XXP	Socket			
							<b>2EHDVM-XXP</b>	P64	<b>2EHDRM-XXPL</b>	P64
							<b>2EHDVM-XXPL</b>	P64	<b>2EHDBRM-XXP</b>	P65
							<b>2EHDBVM-XXP</b>	P65	<b>2EEHDRM-XXP</b>	P65
							<b>2EEHDVM-XXP</b>	P65	<b>2EHDRRM-XXPL</b>	P64
							<b>2EHDRM-XXP</b>	P64		
							Please refer to the related page number for the compatible headers.			



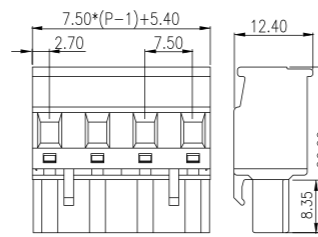
5.08mm		2ESDVS-03P	Socket				
Technical Data	UL	IEC		<b>2EHDA-XXP</b>	P63	<b>2EHDV-XXP</b>	P64
Rated voltage	300V	630V		<b>2EHDR-XXP</b>	P64	<b>2EHDV-XXPL</b>	P64
Rated current	15A	18A		<b>2EHDR-XXPL</b>	P64	<b>2EHDRR-XXPL</b>	P64
Solid (AWG/mm <sup>2</sup> )	28-12	0.2-4		<b>2EHDRC-XXP</b>	P64	<b>2EHDRRC-XXPL</b>	P64
Flexible (AWG/mm <sup>2</sup> )	30-12	0.2-2.5		<b>2EHDR-XXP</b>	P64	<b>2EHDR-XXPL</b>	P64
Rated impulse voltage		4KV		<b>2EHDRC-XXP</b>	P64	<b>2EHDRC-XXPL</b>	P64
Torque (N-m)	0.4-0.6			Please refer to the related page number for the compatible headers.			
Screw	M2.5						
Wire strip length	7-8mm						
Number of Positions		03P					

7.50mm		
Technical Data	UL	IEC
Rated voltage	300V	800V
Rated current	15A	18A
Solid (AWG/mm <sup>2</sup> )	28~12	0.2~4
Flexible (AWG/mm <sup>2</sup> )	30~12	0.2~2.5
Rated impulse voltage		6KV
Torque (N·m)	0.4~0.5	
Screw	M2.5	
Wire strip length	7~8mm	
Number of Positions		
7ESDP-XXP	02~11P	
7ESDPL-XXP		
7ESDPM-XXP		
7ESDPLM-XXP		
7ESDV-XXP		
7ESDVM-XXP	02~12P	
Accessories		
ESDK1	P54	
ESDK2	P54	



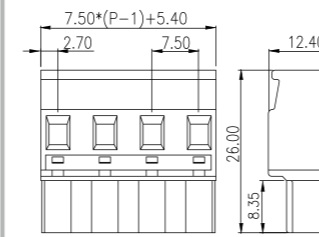
**7ESDV-XXP**



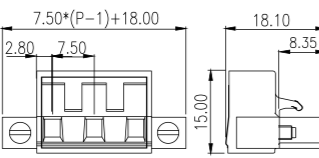
**7ESDP-XXP**



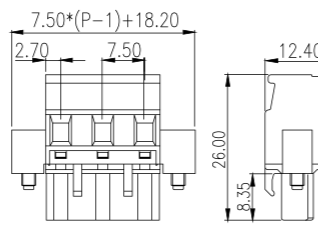
**7ESDPL-XXP**



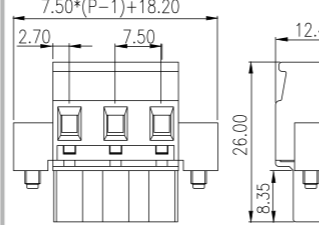
**7ESDVM-XXP**

**7ESDPM-XXP**



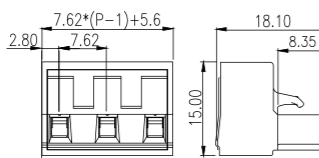




**7ESDPLM-XXP**



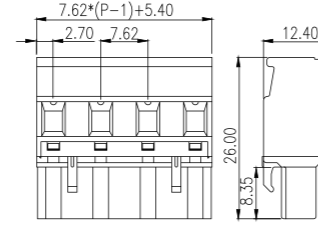




7.62mm		
Technical Data	UL	IEC
Rated voltage	300V	800V
Rated current	15A	18A
Solid (AWG/mm <sup>2</sup> )	28~12	0.2~4
Flexible (AWG/mm <sup>2</sup> )	30~12	0.2~2.5
Rated impulse voltage		6KV
Torque (N·m)	0.4~0.5	
Screw	M2.5	
Wire strip length	7~8mm	
Number of Positions		
3ESDV-XXP	02~12P	
3ESDP-XXP		
3ESDVM-XXP		
3ESDPM-XXP		
3ESDPLM-XXP		
3ESDVM-XXP	02~14P	
Accessories		
ESDK1	P54	
ESDK2	P54	



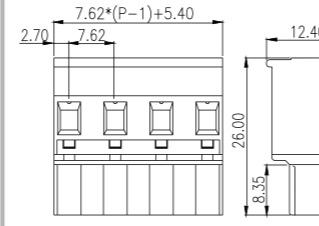
**3ESDV-XXP**



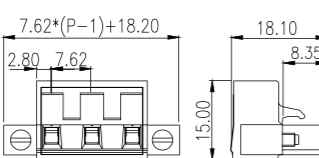
**3ESDP-XXP**



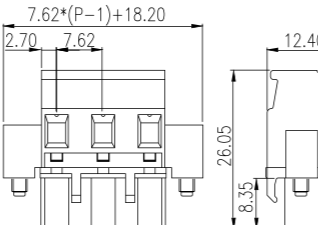
**3ESDPL-XXP**



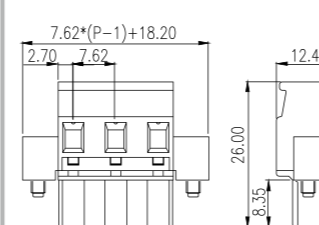
**3ESDVM-XXP**

**3ESDPM-XXP**

**3ESDPLM-XXP**

Socket	
<b>7EHDV-XXP</b>	P66
<b>7EHDVC-XXP</b>	P66
<b>7EHDR-XXP</b>	P66
<b>7EHDRC-XXP</b>	P66

Please refer to the related page number for the compatible headers.

Socket	
<b>7EHDVM-XXP</b>	P66
<b>7EHDRM-XXP</b>	P66

Please refer to the related page number for the compatible headers.

Socket	
<b>3EHDV-XXP</b>	P66
<b>3EHDVC-XXP</b>	P66
<b>3EHDR-XXP</b>	P66
<b>3EHDRC-XXP</b>	P66



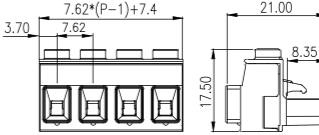
Please refer to the related page number for the compatible headers.

Socket	
<b>3EHDVM-XXP</b>	P66
<b>3EHDRM-XXP</b>	P66



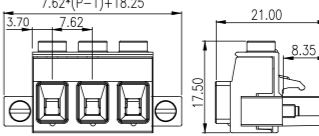
Please refer to the related page number for the compatible headers.

7.62mm		
Technical Data	UL	IEC
Rated voltage	600V	1000V
Rated current	20A	16A
Solid (AWG/mm <sup>2</sup> )	28~12	0.2~2.5
Flexible (AWG/mm <sup>2</sup> )	30~12	0.2~2.5
Rated impulse voltage		8KV
Torque (N·m)	0.5	
Screw	M2.5	
Wire strip length	7~8mm	
Number of Positions		
02~12P		

**3ESDVH-XXP**

**3ESDVHM-XXP**

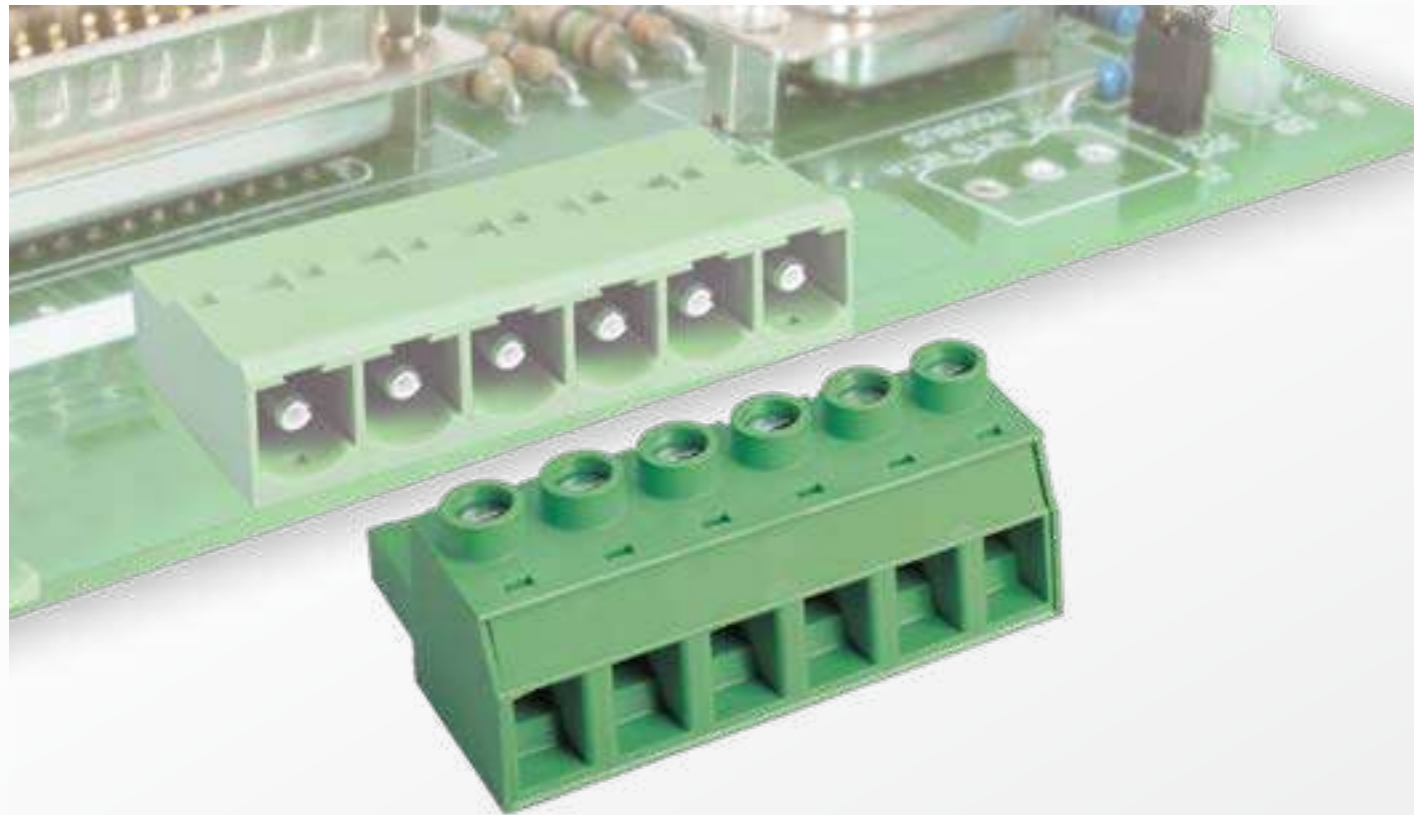
Socket	
<b>3EHDV-XXP</b>	P66
<b>3EHDVC-XXP</b>	P66
<b>3EHDR-XXP</b>	P66
<b>3EHDRC-XXP</b>	P66

Please refer to the related page number for the compatible headers.

Socket	
<b>3EHDVM-XXP</b>	P66
<b>3EHDRM-XXP</b>	P66

Please refer to the related page number for the compatible headers.

# Screw Connection Plugs - High Power Application



**Connection method: Screw connection**

**Pitch: 7.62mm / 10.16mm**

**UL Rated: 600V / 15A ~ 600V / 51A**

**IEC Rated: 320V / 24A ~ 1000V / 76A**

- 3ESNP series plug has a voltage capacity of 600V and current capacity up to 18A in a compact structure, and can be used with standard 3EHD series socket
- EC762 series has a high current capacity up to 40A UL rating, and adopts M3 screw with connection up to 4mm<sup>2</sup> stranded wire
- 02~06P are available in horizontal design
- EC116V series plug has a current capacity of 51A UL rating and 75A IEC rating

The socket versions include vertical and horizontal plug-in direction to the PCB and an inverted version is available where solder-in direction is rotated by 180°.









3ESNP series



EC762 series



EC116V series

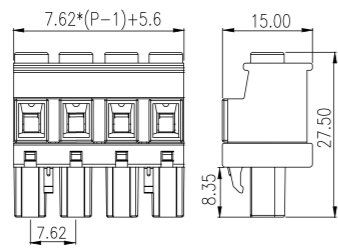
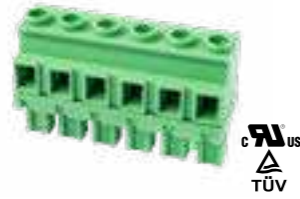
7.62mm		3ESNPH-XXP	3ESNPHL-XXP	Socket	
Technical Data	UL	IEC			<b>3EHDV-XXP</b> P66
Rated voltage	600V	1000V			<b>3EHDVC-XXP</b> P66
Rated current	18A	24A			<b>3EHDR-XXP</b> P66
Solid (AWG/mm <sup>2</sup> )	28~10	0.2~4			<b>3EHDRC-XXP</b> P66
Flexible (AWG/mm <sup>2</sup> )	28~10	0.2~4			Please refer to the related page number for the compatible headers.
Rated impulse voltage		8KV			
Torque (N-m)	0.5~0.6				
Screw	M3				
Wire strip length	7~8mm				
Number of Positions					
02~12P					
Accessories					
ESDK1	P54				
ESDK2	P54				
					<b>3EHDVM-XXP</b> P66
					<b>3EHDRM-XXP</b> P66
					Please refer to the related page number for the compatible headers.
7.62mm		3ESNVH-XXP	Socket		
Technical Data	UL	IEC			<b>3EHDV-XXP</b> P66
Rated voltage	600V	1000V			<b>3EHDVC-XXP</b> P66
Rated current	25A	24A			<b>3EHDR-XXP</b> P66
Solid (AWG/mm <sup>2</sup> )	28~10	0.2~4			<b>3EHDRC-XXP</b> P66
Flexible (AWG/mm <sup>2</sup> )	28~10	0.2~4			Please refer to the related page number for the compatible headers.
Rated impulse voltage		8KV			
Torque (N-m)	0.5~0.6				
Screw	M3				
Wire strip length	7~8mm				
Number of Positions					
02~12P					
Accessories					
ESDK1	P54				
					<b>3EHDVM-XXP</b> P66
					<b>3EHDRM-XXP</b> P66
					Please refer to the related page number for the compatible headers.



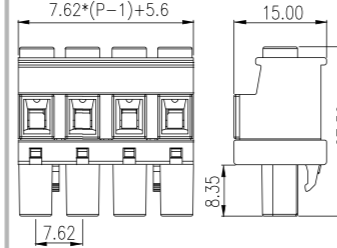
## 7.62mm

Technical Data	UL	IEC
Rated voltage	600V	1000V
Rated current	15A	24A
Solid (AWG/mm <sup>2</sup> )	28~12	0.2~2.5
Flexible (AWG/mm <sup>2</sup> )	28~12	0.2~2.5
Rated impulse voltage	8KV	
Torque (N·m)	0.4~0.5	
Screw	M2.5	
Wire strip length	7~8mm	
Number of Positions		
02~12P		
Accessories		
ESDK1	P54	
ESDK2	P54	

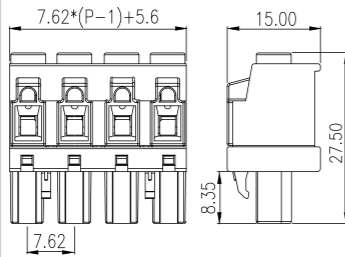
### 3ESNP-XXP



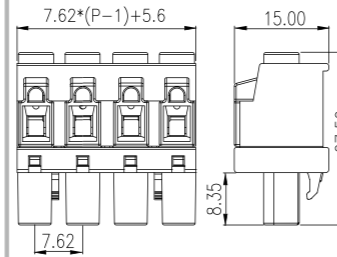
### 3ESNPL-XXP



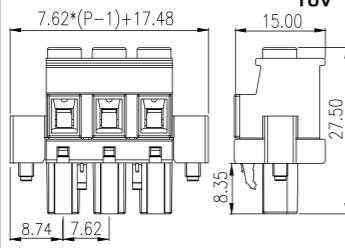
### 3ESNPS-XXP



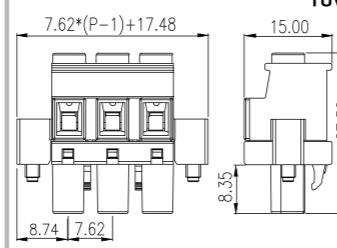
### 3ESNPLS-XXP



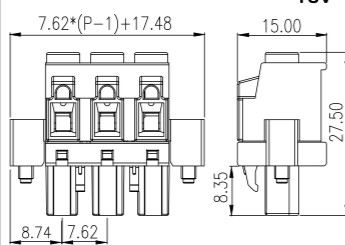
### 3ESNPM-XXP



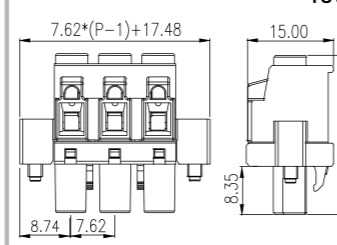
### 3ESNPLM-XXP



### 3ESNPSM-XXP



### 3ESNPLSM-XXP



## Socket

3EHDV-XXP	P66
3EHDVC-XXP	P66
3EHDR-XXP	P66
3EHDRC-XXP	P66

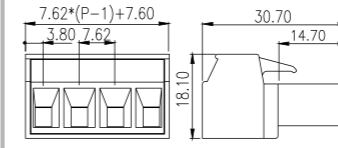
Please refer to the related page number for the compatible headers.

## 7.62mm

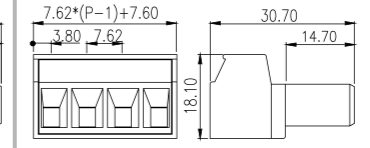
Technical Data	UL	IEC
Rated voltage	300V	1000V
Rated current	30A	32A
Solid (AWG/mm <sup>2</sup> )	30~10	0.2~4
Flexible (AWG/mm <sup>2</sup> )	30~10	0.2~4
Rated impulse voltage	6KV	
Torque (N·m)	0.5~0.6	
Screw	M3	
Wire strip length	10~11mm	

Number of Positions	
02~12P	
Accessories	
ECHK2	P54

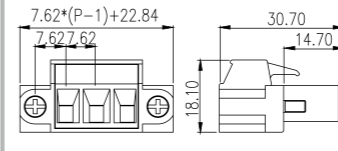
### EC762V-XXP



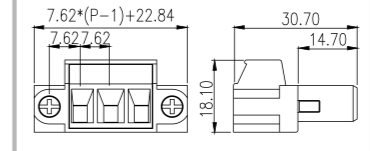
### EC762VN-XXP



### EC762VM-XXP



### EC762VNM-XXP

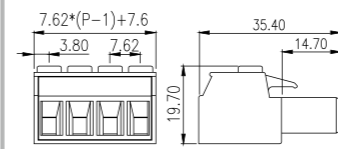


## 7.62mm

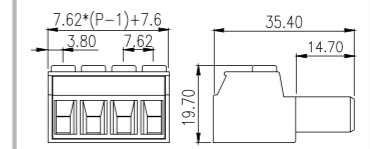
Technical Data	UL	IEC
Rated voltage	600V	1000V
Rated current	41A	41A
Solid (AWG/mm <sup>2</sup> )	30~8	0.2~6
Flexible (AWG/mm <sup>2</sup> )	30~8	0.2~6
Rated impulse voltage	8KV	
Torque (N·m)	0.5~0.6	
Screw	M3	
Wire strip length	10~11mm	

Number of Positions	
02~12P	
Accessories	
ECHK2	P54

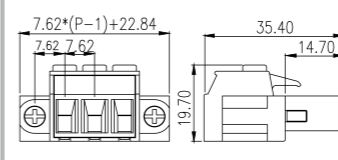
### EC762HV-XXP



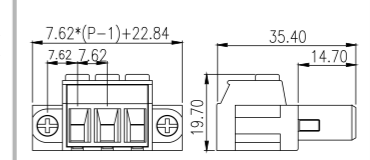
### EC762HVN-XXP



### EC762HVM-XXP



### EC762HVNM-XXP



## Socket

ECH762V-XXP	P67
ECH762R-XXP	P67
ECH762RR-XXP	P67
ECH762HR-XXP	P68
ECH762HRR-XXP	P68

Please refer to the related page number for the compatible headers.

## Socket

ECH762VM-XXP	P67
ECH762RM-XXP	P67
ECH762RRM-XXP	P67
ECH762RTM-XXP	P67
ECH762VTM-XXP	P67
ECH762HRM-XXP	P68

Please refer to the related page number for the compatible headers.

## Socket



ECH762V-XXP	P67
ECH762R-XXP	P67
ECH762RR-XXP	P67
ECH762HR-XXP	P68
ECH762HRR-XXP	P68

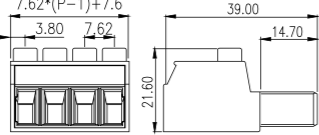
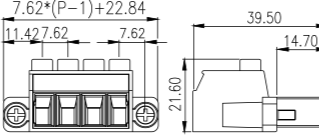
Please refer to the related page number for the compatible headers.

## Socket


ECH762VM-XXP	P67
ECH762RM-XXP	P67
ECH762RRM-XXP	P67
ECH762RTM-XXP	P67
ECH762VTM-XXP	P67
ECH762HRM-XXP	P68

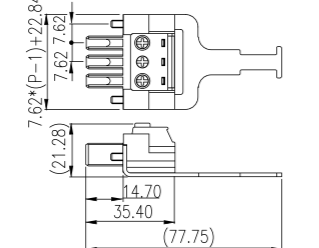
Please refer to the related page number for the compatible headers.



7.62mm		EC762H-XXP		EC762HM-XXP		Socket	
Technical Data	UL	IEC					For EC762H-XXP
Rated voltage	600V	1000V					ECH762V-XXP P67
Rated current	41A	41A					ECH762R-XXP P67
Solid (AWG/mm <sup>2</sup> )	30-8	0.2-6					ECH762RR-XXP P67
Flexible (AWG/mm <sup>2</sup> )	30-8	0.2-6					ECH762HR-XXP P68
Rated impulse voltage		8KV					ECH762HRR-XXP P68
Torque (N-m)	0.7	0.5					ECHP762V-XXP P70
Screw		M3					For EC762HM-XXP
Wire strip length	10-11mm						ECH762VM-XXP P67
Number of Positions							ECH762VTM-XXP P67
EC762HM-XXP		02-10P					ECH762RM-XXP P67
EC762H-XXP		02-12P					ECH762RRM-XXP P67
Accessories							ECH762RTM-XXP P67
ESDK2		P54					ECH762HRM-XXP P68

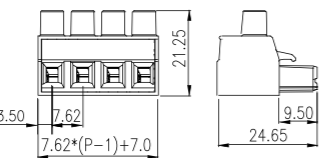
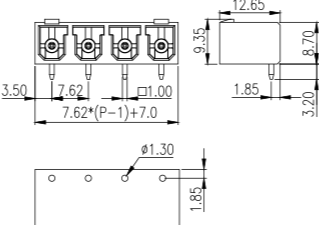





Please refer to the related page number for the compatible headers.

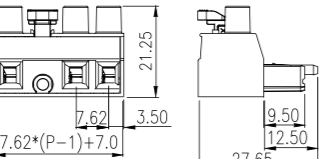
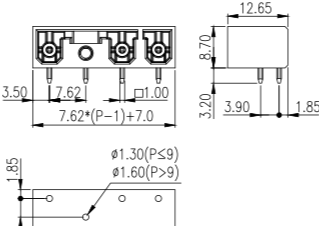
7.62mm		EC762HLNM-XXP	
Technical Data	UL	IEC	
Rated voltage	600V	1000V	
Rated current	41A	41A	
Solid (AWG/mm <sup>2</sup> )	30-8	0.2-6	
Flexible (AWG/mm <sup>2</sup> )	30-8	0.2-6	
Rated impulse voltage		8KV	
Torque (N-m)	0.5-0.6		
Screw		M3	
Wire strip length	7-8mm		
Number of Positions			
EC762HLNM-XXP		02-04P&07P	
Accessories			
ESDK2		P54	





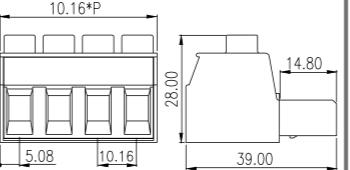
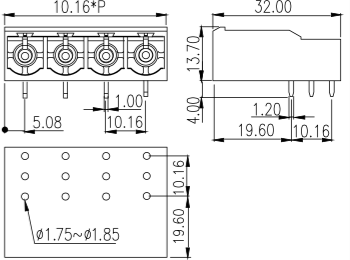
7.62mm		0183-01XX		7.62mm		0183-11XX	
Technical Data	UL	IEC		Technical Data	UL	IEC	
Rated voltage	600V	630V		Rated voltage	300V	630V	
Rated current	25A	32A		Rated current	25A	32A	
Solid (AWG/mm <sup>2</sup> )	20-10	0.2-6		Rated impulse voltage		6KV	
Flexible (AWG/mm <sup>2</sup> )	20-10	0.2-6		Number of Positions			
Rated impulse voltage		6KV		0183-11XX		02-12P	
Torque (N-m)	0.5-0.6			0183-11XXTX		03-12P	
Screw		M3		Number of Positions			
Wire strip length	8-9mm			0183-11XXTX		03-12P	
Number of Positions				Number of Positions			
0183-01XX		02-12P		Number of Positions			
0183-01XXTX		03-12P		Number of Positions			

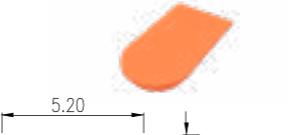
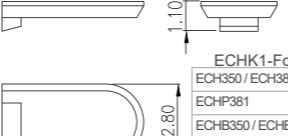
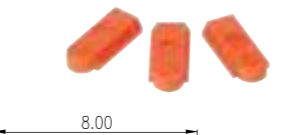
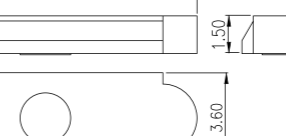


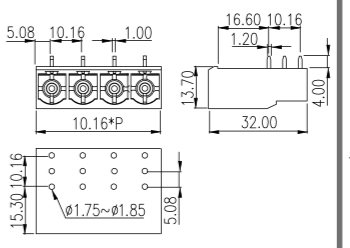
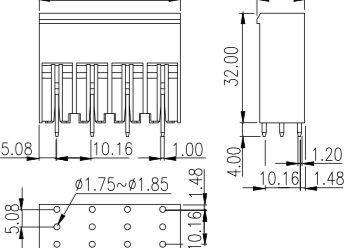



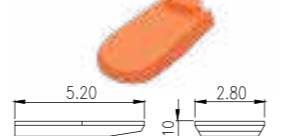
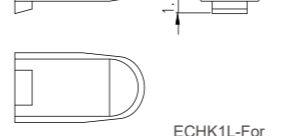
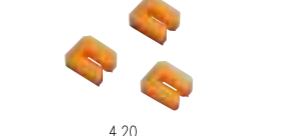
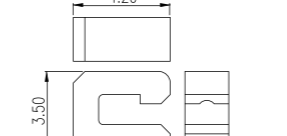


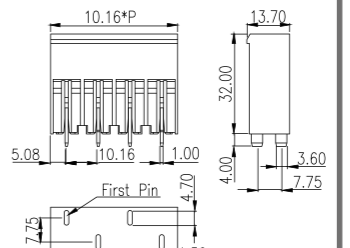
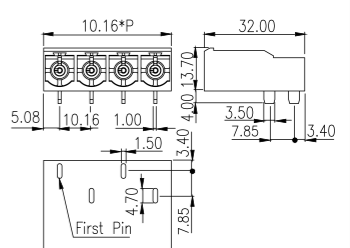
7.62mm		0183-01XXTX		7.62mm		0183-11XXTX	
Technical Data	UL	IEC		Technical Data	UL	IEC	
Rated voltage	600V	630V		Rated voltage	300V	630V	
Rated current	25A	32A		Rated current	25A	32A	
Solid (AWG/mm <sup>2</sup> )	20-10	0.2-6		Rated impulse voltage		6KV	
Flexible (AWG/mm <sup>2</sup> )	20-10	0.2-6		Number of Positions			
Rated impulse voltage		6KV		0183-11XXTX		03-12P	
Torque (N-m)	0.5-0.6			Number of Positions			
Screw		M3		0183-11XXTX		03-12P	
Wire strip length	8-9mm			Number of Positions			
Number of Positions				Number of Positions			
0183-01XXTX		03-12P		Number of Positions			




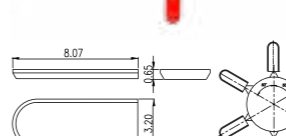
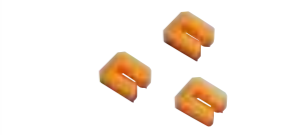
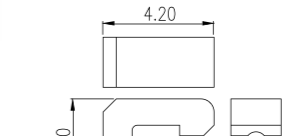

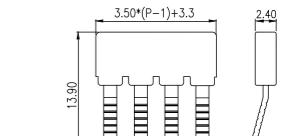
10.16mm		EC116V-XXP		10.16mm		ECH116R-XXP	
Technical Data	UL	IEC		Technical Data	UL	IEC	
Rated voltage	600V	1000V		Rated voltage	300V	1000V	
Rated current	51A	76A		ECH116R-XXP			
Solid (AWG/mm <sup>2</sup> )	16-6	0.5-16		ECH116V-XXP			
Flexible (AWG/mm <sup>2</sup> )	16-6	0.5-16		ECH116L-XXP			
Rated impulse voltage		8KV		ECH116HVS-XXP			
Torque (N-m)	1.2-1.5			ECH116HRS-XXP			
Screw		M4		Rated current	51A	76A	
Wire strip length	14-15mm			Rated impulse voltage		8KV	
Number of Positions				Number of Positions			
02-10P				02-10P			
Accessories				Accessories			
ECHK2		P54		ECHK2 P54			


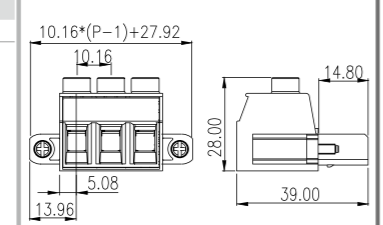
ECHK1		ECHK2		ECH116L-XXP		ECH116V-XXP	
							
ECHK1-For ECH350 / ECH381 ECHK381 ECHB350 / ECHB381 ECH508 EECH350 / EECH381 0221-25XX 0221-33XX 0221-39XX 0221-41XX 0221-51XX 0221-52XX		ECHK2-For EC116 EC762 ECH116 ECH762					

ECHK1L		EHDK1		ECH116HVS-XXP		ECH116HRS-XXP	
							
ECHK1L-For ECH350 / ECH381 0221-25XX 0221-33XX 0221-39XX 0221-41XX 0221-51XX 0221-52XX		EHDK1-For 2EHD 3EHD 5EHD 7EHD					


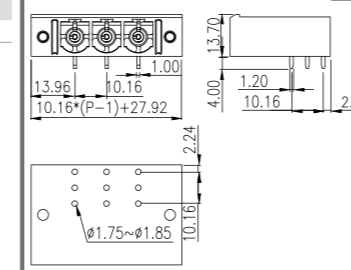
For THR applications



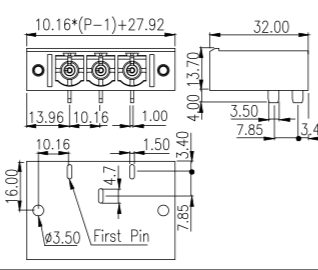
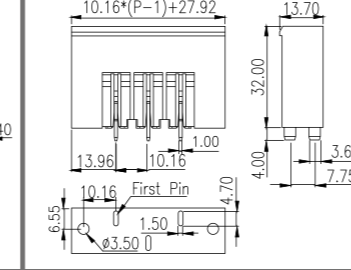
ESDK1		ESDK2		EHDK1L		CSC-01XX	
							
ESDK1-For 2ESD 3ESD 5ESD 7ESD		ESDK2-For 2ESD 3ESD 5ESD 7ESD * 6pcs of ESDK1		EHDK1L-For 2EHD 3EHD 5EHD		CSC-01XX-For EC350	

10.16mm		EC116VM-XXP	
Technical Data	UL	IEC	
Rated voltage	600V	1000V	
Rated current	51A	76A	
Solid (AWG/mm <sup>2</sup> )	16-6	0.5-16	
Flexible (AWG/mm <sup>2</sup> )	16-6	0.5-16	
Rated impulse voltage		8KV	
Torque (N-m)	1.2~1.5		
Screw	M4		
Wire strip length	14~15mm		
Number of Positions			
02~08P			
Number of Positions			
ECHK2 P54			


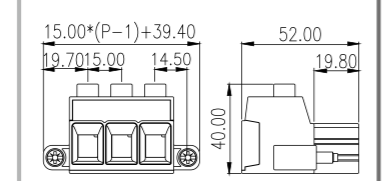



10.16mm		ECH116RM-XXP	
Technical Data	UL	IEC	
Rated voltage			
ECH116RM-XXP		300V	
ECH116HVSM-XXP		600V	
ECH116HRSM-XXP		1000V	
Rated current	51A		76A
Rated impulse voltage			8KV
Number of Positions			
02~08P			
Accessories			
ECHK2		P54	


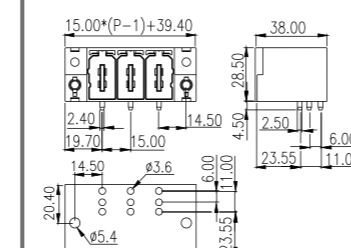



ECH116HRSM-XXP		ECH116HVSM-XXP	
 			
 			

15.00mm		EC150VM-XXP	
Technical Data	UL	IEC	
Rated voltage	600V	1000V	
Rated current	115A	125A	
Solid (AWG/mm <sup>2</sup> )	20-2	0.5-35	
Flexible (AWG/mm <sup>2</sup> )	20-2	0.5-35	
Rated impulse voltage		8KV	
Torque (N-m)	2.5~4		
Screw	M5		
Wire strip length	19~20mm		
Number of Positions			
EC150VM-XXP 02~08P			

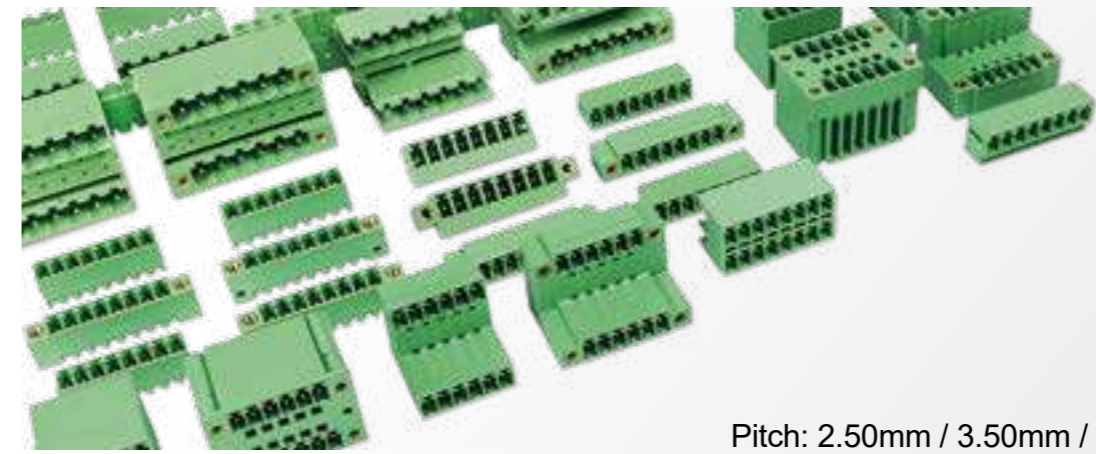



15.00mm		ECH150RM-XXP	
Technical Data	UL	IEC	
Rated voltage	600V	1000V	
Rated current	115A	125A	
Rated impulse voltage		8KV	
Number of Positions			
ECH150RM-XXP 02~08P			

15.00mm		ECH150R-XXP	
			
			

# PCB Sockets





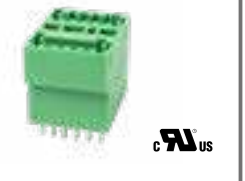
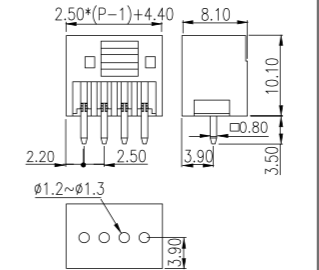
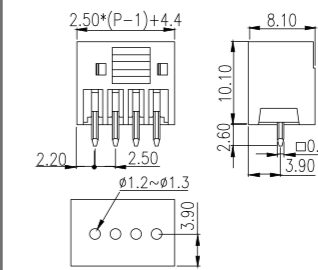
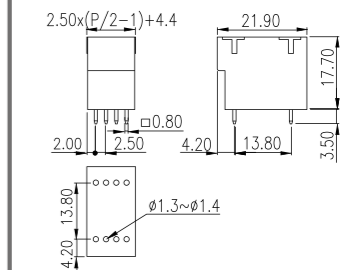
Pitch: 2.50mm / 3.50mm / 3.81mm / 5.00mm / 5.08mm / 7.50mm / 7.62mm  
 UL Rated: 150V / 4A, 300V / 8A, 300V / 15A, 300V / 30A, 600V / 30A  
 IEC Rated: 320V / 4A ~ 1000V / 41A



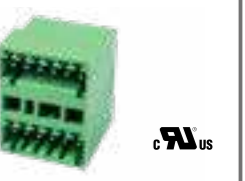
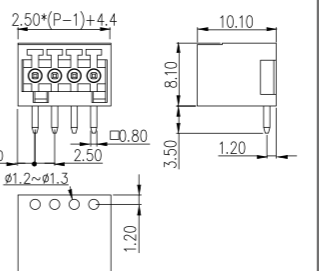
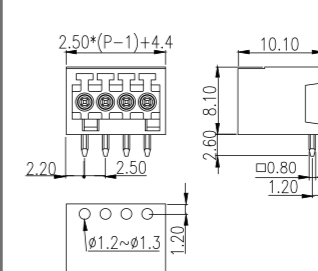
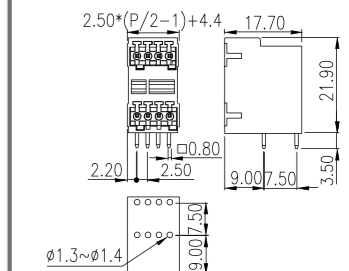
Materials: General engineering insulation for wave soldering process  
 temperature withstand insulation for reflow soldering process

Pin lengths: Standard length 3.5mm for wave soldering process  
 Through-hole reflow (THR) version socket is available, standard pin length 2.6mm.  
 (The last suffix "L" represents THR version.)

- Single & double level and single & double row sockets for options
- Horizontal, vertical and 45 degrees plug-in direction
- with screw flange and lock flange versions.

2.50mm		ECH250V-XXP		ECH250V-XXPL		ECHB250V-XXP	
Technical Data	UL	IEC					
Rated voltage	150V	320V					
Rated current	4A	4A					
Rated impulse voltage		2.5KV					
Number of Positions							
ECH250V-XXP		02~24P					
ECH250R-XXP							
ECH250V-XXPL							
ECH250R-XXPL							
ECHB250V-XXP							
ECHB250R-XXP							
* The last suffix "L" of part number represents THR version							

ECH250R-XXP		ECH250R-XXPL		ECHB250R-XXP	
  					
  					

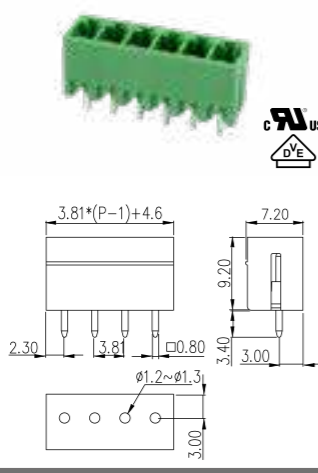


# 3.81mm

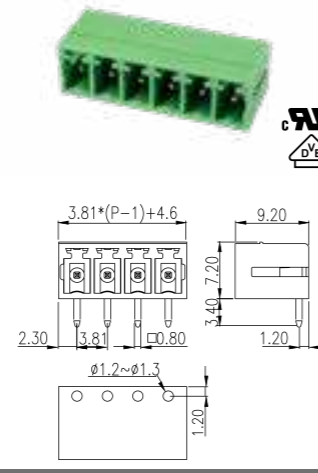
Technical Data	UL	IEC
Rated voltage	300V	320V
Rated current	8A	14A
Rated impulse voltage		2.5kV
Number of Positions		
ECH381H-XXP	02~18P	
ECH381V-XXP		
ECH381VD-XXP		
ECH381R-XXP		
ECH381RD-XXP		
ECH381RR-XXP		
ECH381A-XXP		
ECH381V-XXPL		
ECH381R-XXPL		
ECH381RR-XXPL		
ECH381AM-XXP		
ECH381VM-XXP		
ECH381RM-XXP		
ECH381RRM-XXP		
ECH381VJ-XXP		
ECH381VJ-XXPL		
ECH381VM-XXPL		
ECH381RM-XXPL		
ECH381RRM-XXPL		
ECH381RJ-XXP		
ECH381RJ-XXPL		
ECHB381VM-XXP		
EECH381V-XXP	04~32P	
ECHB381R-XXP	04~36P	
EECH381R-XXP	04~48P	
ECHB381RRD-XXP		
Accessories		
ECHK1	P54	

\* The last suffix "L" of part number represents THR version and the accessories is EHDK1L (P54)

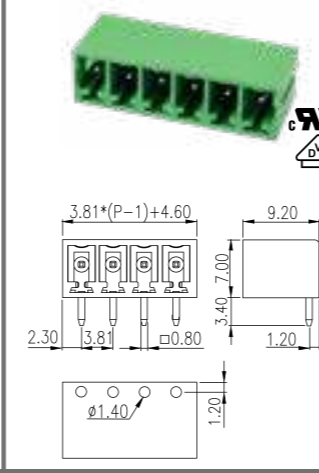
## ECH381V-XXP



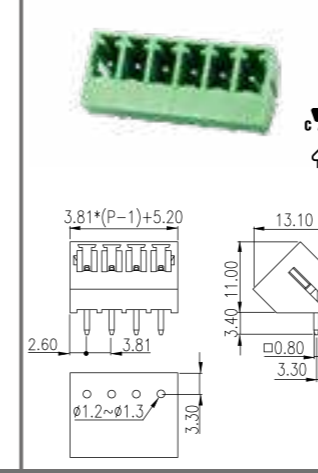
## ECH381R-XXP



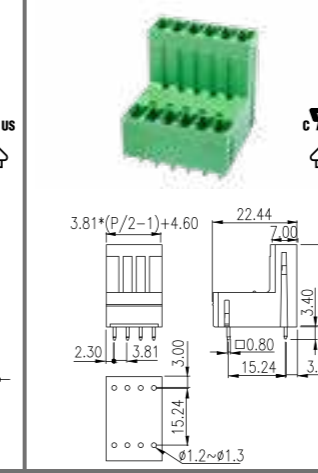
## ECH381RR-XXP



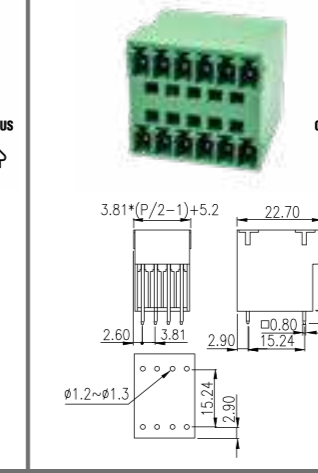
## ECH381A-XXP



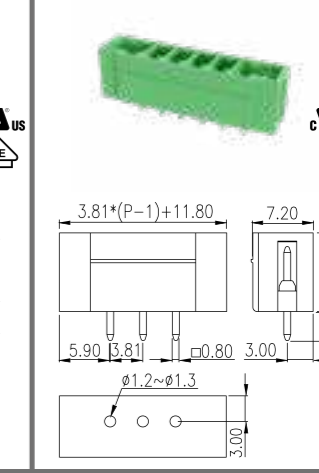
## EECH381V-XXP



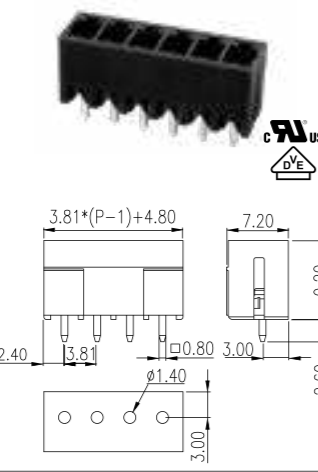
## ECHB381V-XXP



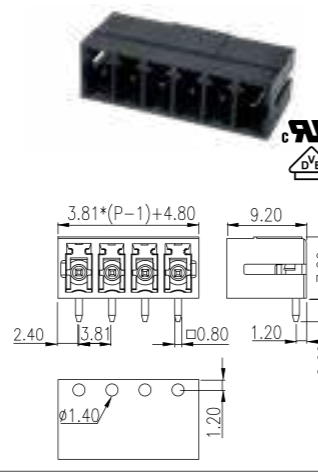
## ECH381VJ-XXP



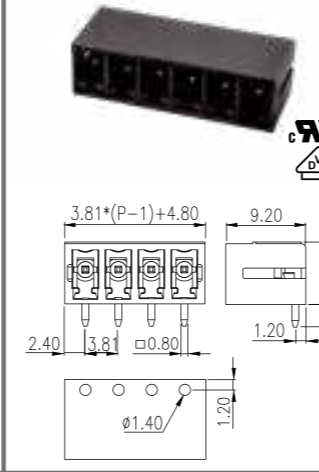
## ECH381V-XXPL



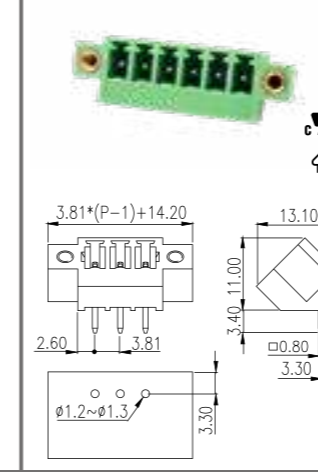
## ECH381R-XXPL



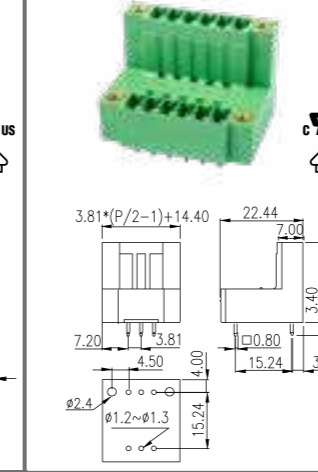
## ECH381RR-XXPL



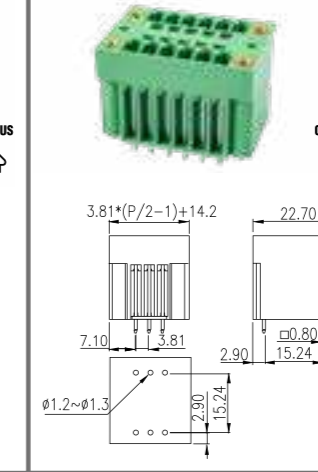
## ECH381AM-XXP



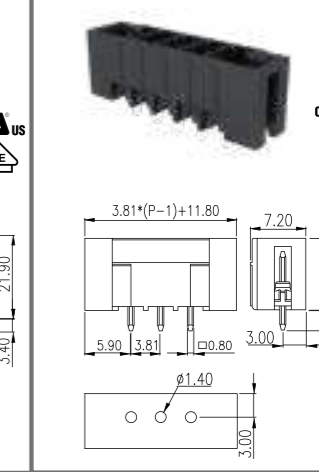
## EECH381VM-XXP



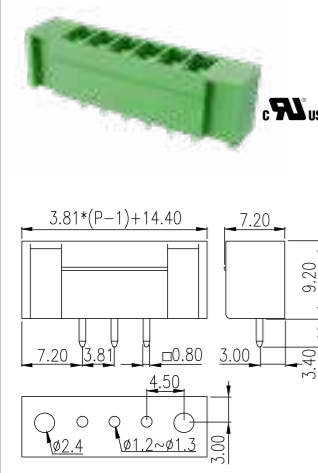
## ECHB381VM-XXP



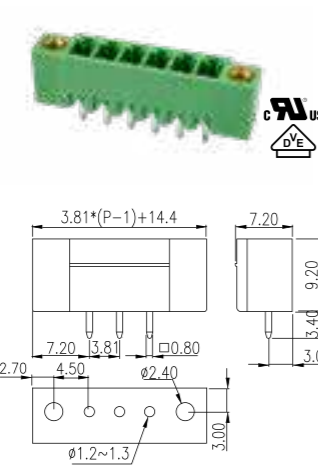
## ECH381VJ-XXPL



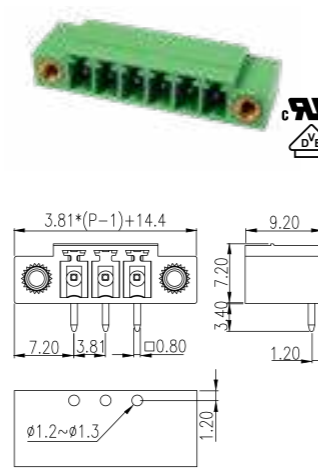
## ECH381VD-XXP



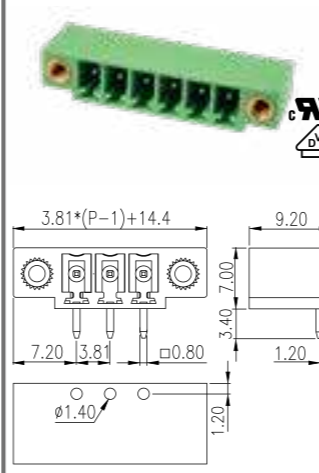
## ECH381VM-XXP



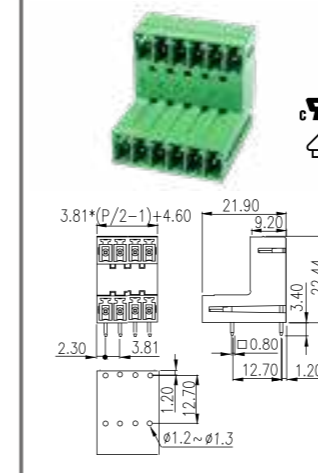
## ECH381RM-XXP



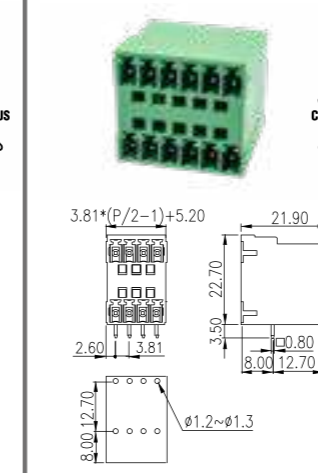
## ECH381RRM-XXP



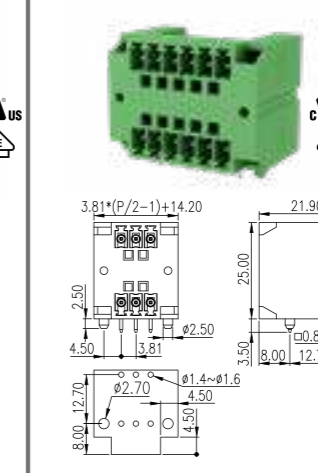
## EECH381R-XXP



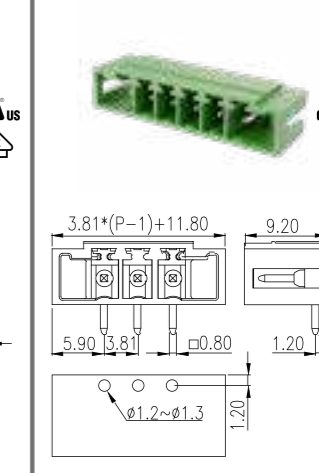
## ECHB381R-XXP



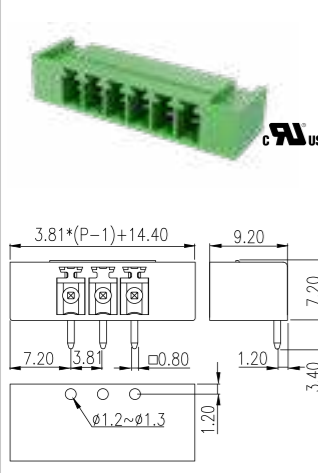
## ECHB381RRD-XXP



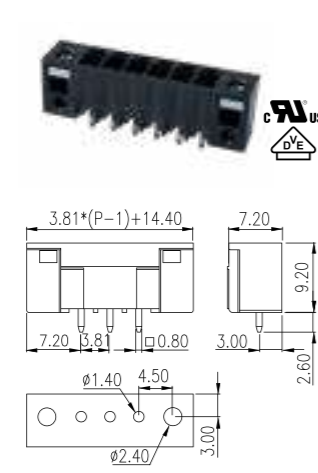
## ECH381RJ-XXP



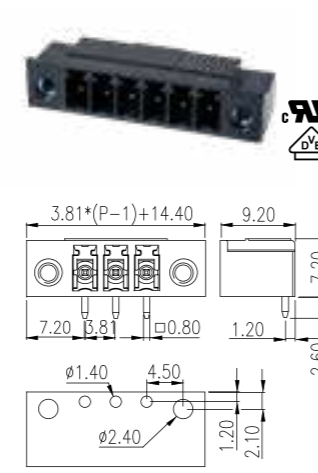
## ECH381RD-XXP



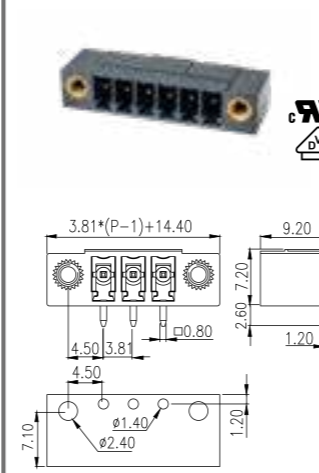
## ECH381VM-XXPL



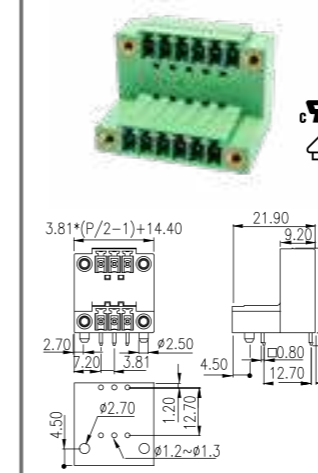
## ECH381RM-XXPL



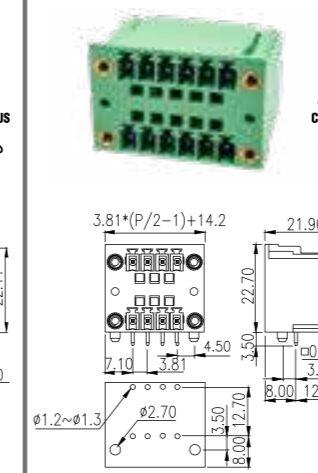
## ECH381RRM-XXPL



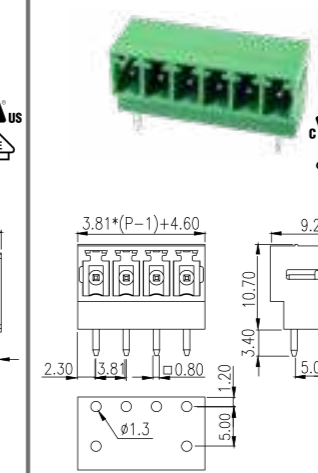
## EECH381RM-XXP



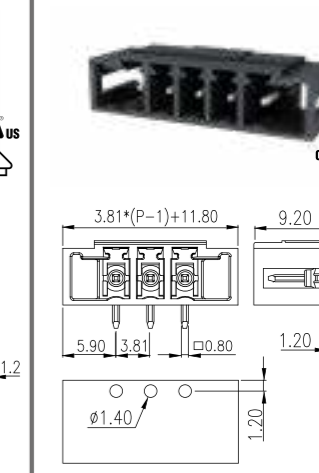
## ECHB381RM-XXP



## ECH381H-XXP



## ECH381RJ-XXPL



# 5.00mm

Technical Data	UL	IEC
Rated voltage	300V	600V
Rated current	15A	18A
Rated impulse voltage		4KV
Number of Positions		
5EHDRR-XXP	02~13P	
5EHDRC-XXP		
5EHDV-XXP		
5EHDV-XXPL		
5EHDV-XXPL		
5EHDV-XXPL		
5EHDV-XXPL		
5EHDV-XXPL		
5EHDV-XXPL		
5EHDV-XXPL		
5EHDV-XXPL	02~24P	
5EHDV-XXPL		
5EHDV-XXPL		
5EHDV-XXPL		
5EHDV-XXPL		
5EHDV-XXPL		
5EHDV-XXPL		
5EHDV-XXPL		
5EHDV-XXPL		
5EHDV-XXPL		
5EHDV-XXPL	04~24P	
5EHDV-XXPL		
5EHDV-XXPL		
5EHDV-XXPL		
5EHDV-XXPL		
5EHDV-XXPL		
5EHDV-XXPL		
5EHDV-XXPL		
5EHDV-XXPL		
5EHDV-XXPL		
5EHDV-XXPL	04~36P	
5EHDV-XXPL		
5EHDV-XXPL		
5EHDV-XXPL		
5EHDV-XXPL		
5EHDV-XXPL		
5EHDV-XXPL		
5EHDV-XXPL		
5EHDV-XXPL		
5EHDV-XXPL		
5EHDV-XXPL	04~40P	
5EHDV-XXPL		
5EHDV-XXPL		
5EHDV-XXPL		
5EHDV-XXPL		
5EHDV-XXPL		
5EHDV-XXPL		
5EHDV-XXPL		
5EHDV-XXPL		
5EHDV-XXPL		
5EHDV-XXPL	04~48P	
5EHDV-XXPL		
5EHDV-XXPL		
5EHDV-XXPL		
5EHDV-XXPL		
5EHDV-XXPL		
5EHDV-XXPL		
5EHDV-XXPL		
5EHDV-XXPL		
5EHDV-XXPL		
5EHDV-XXPL	04~56P	
5EHDV-XXPL		
5EHDV-XXPL		
5EHDV-XXPL		
5EHDV-XXPL		
5EHDV-XXPL		
5EHDV-XXPL		
5EHDV-XXPL		
5EHDV-XXPL		
5EHDV-XXPL		

Accessories  
EHDK1 P54  
\* The last suffix "L" of part number represents THR version and the accessories is EHDK1L (P54)

  <b>5EHDV-XXP</b>	  <b>5EHDR-XXP</b>	  <b>5EHDRR-XXP</b>	  <b>5EHDVM-XXP</b>	  <b>5EHDBV-XXP</b>	  <b>5EEHDV-XXP</b>	  <b>5EHDVG-XXP</b>
  <b>5EHDV-XXPL</b>	  <b>5EHDR-XXPL</b>	  <b>5EHDRR-XXPL</b>	  <b>5EHDVM-XXPL</b>	  <b>5EHDBVM-XXP</b>	  <b>5EEHDVM-XXP</b>	  <b>5EEHDHVC-XXPL</b>
  <b>5EHDVC-XXP</b>	  <b>5EHDRC-XXP</b>	  <b>5EHDRRC-XXP</b>	  <b>5EHDRM-XXP</b>	  <b>5EHDBR-XXP</b>	  <b>5EEHDR-XXP</b>	  <b>5EHDVG-XXP</b>
  <b>5EHDVC-XXPL</b>	  <b>5EHDRC-XXPL</b>	  <b>5EHDRRC-XXPL</b>	  <b>5EHDRM-XXPL</b>	  <b>5EHDBRM-XXP</b>	  <b>5EEHDRM-XXP</b>	  <b>5EHDRRM-XXPL</b>

5.08mm

ECH508V-XXP

5.08mm

2EHDA-XXP

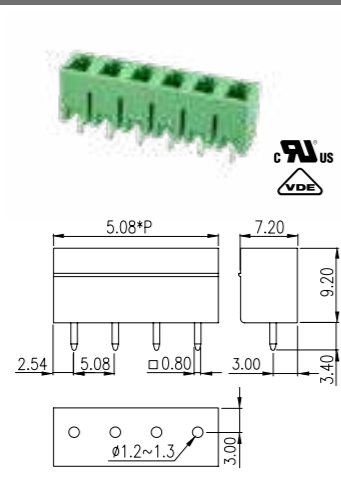
2EHDV-XXP

2EHDR-XXP

2EHDRR-XXPL

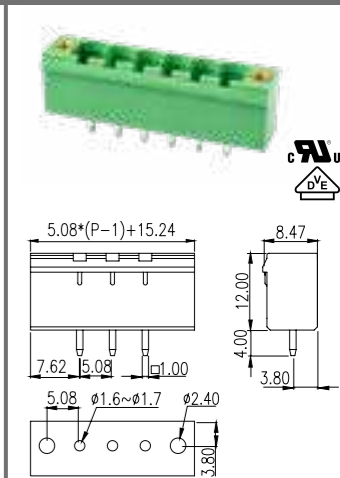
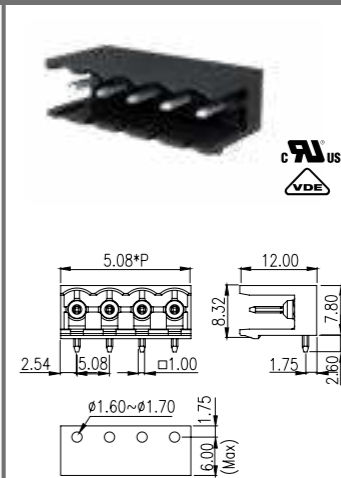
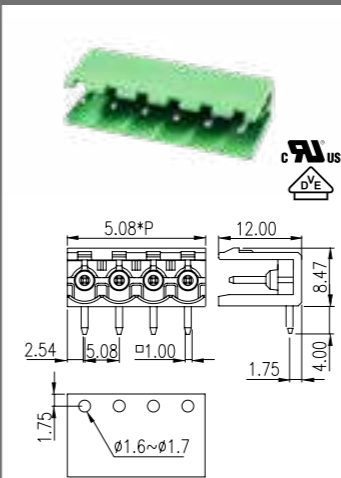
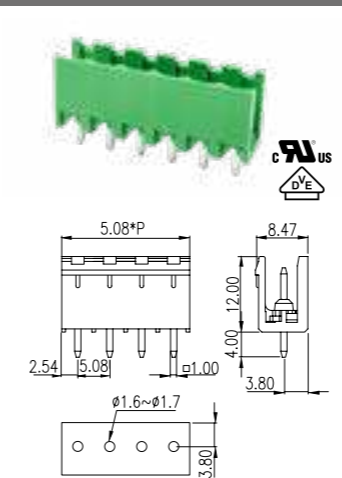
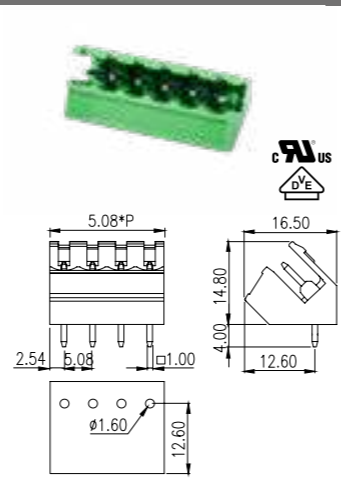
2EHDVM-XXP

Technical Data	UL	IEC
Rated voltage	300V	600V
Rated current	12A	14A
Rated impulse voltage		4KV
Number of Positions		
02-24P		
Accessories		
EHDK1		P54

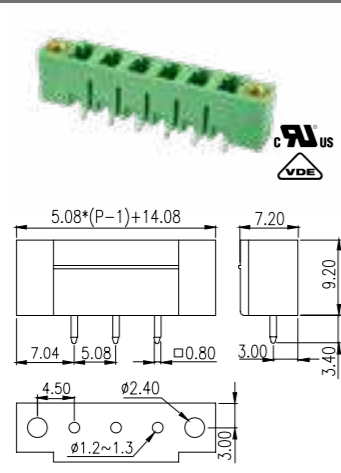


Technical Data	UL	IEC
Rated voltage	300V	630V
Rated current	20A	18A
Rated impulse voltage		4KV
Number of Positions		
02-24P		
Accessories		
EHDK1		P54

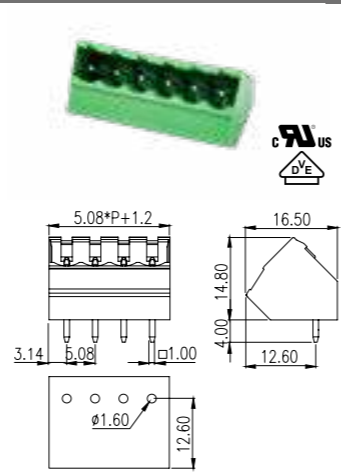
\* The last suffix "L" of part number represents THR version and the accessories is EHDK1L ( P54 )



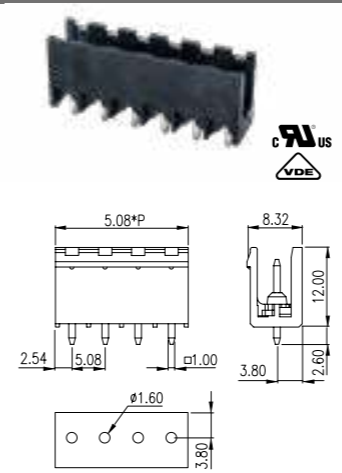
ECH508VM-XXP



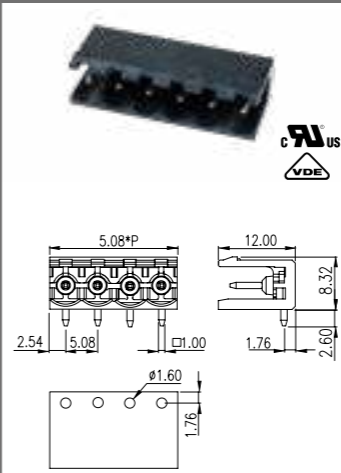
2EHDAC-XXP



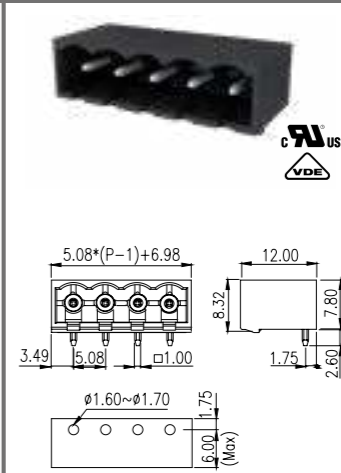
2EHDV-XXPL



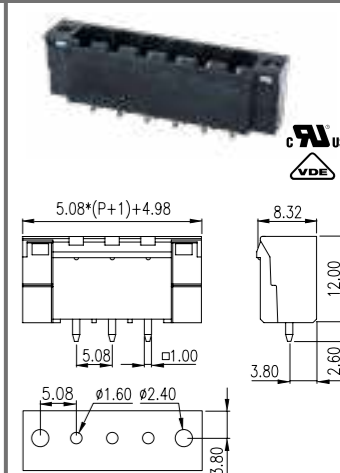
2EHDR-XXPL



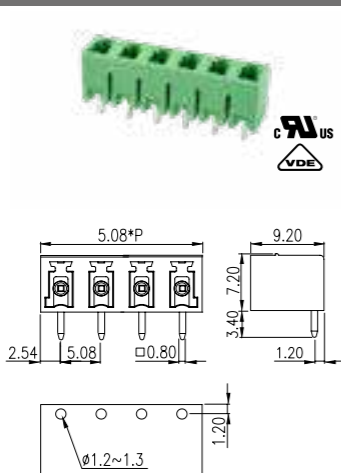
2EHDRC-XXPL



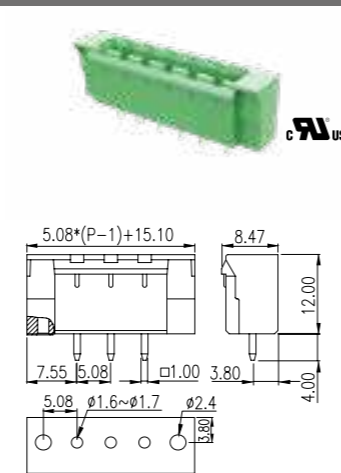
2EHDVM-XXPL



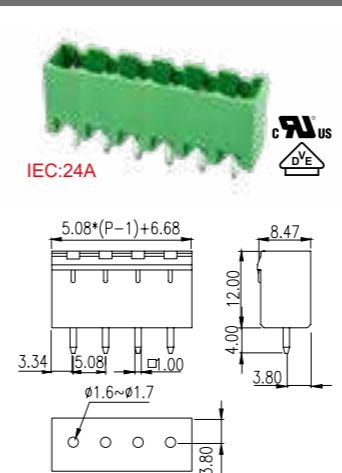
ECH508R-XXP



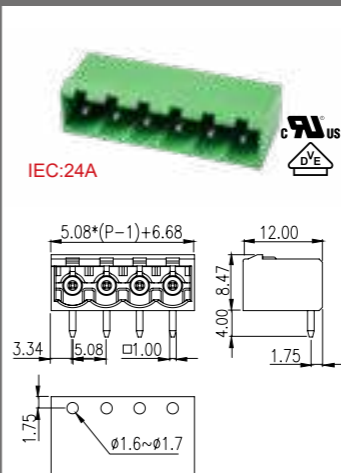
2EHDVG-XXP



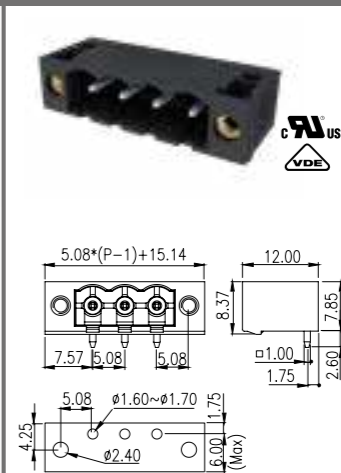
2EHDVC-XXP



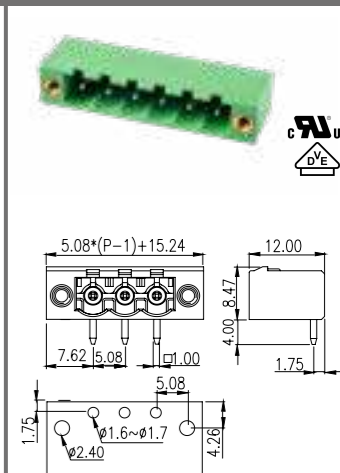
2EHDRC-XXP



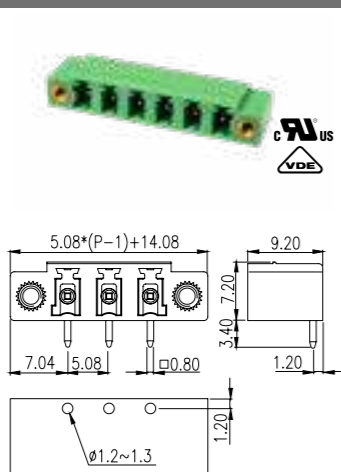
2EHDRRM-XXPL



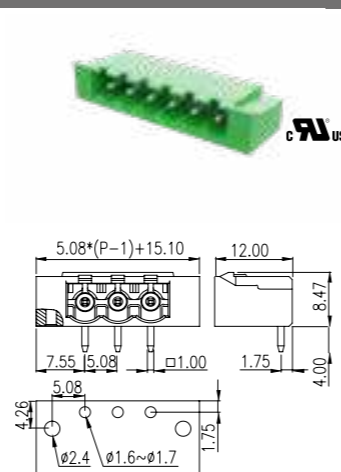
2EHDVM-XXPL



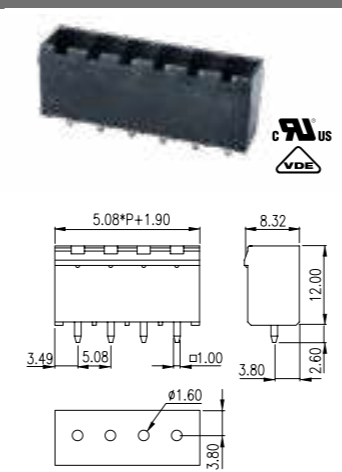
ECH508RM-XXP



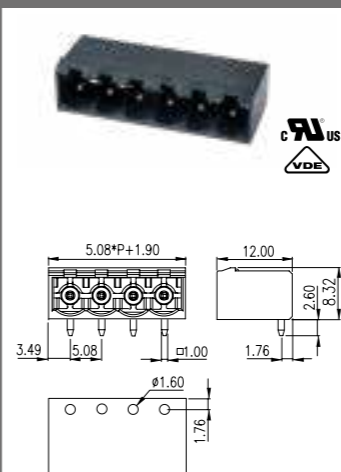
2EHDRC-XXPL



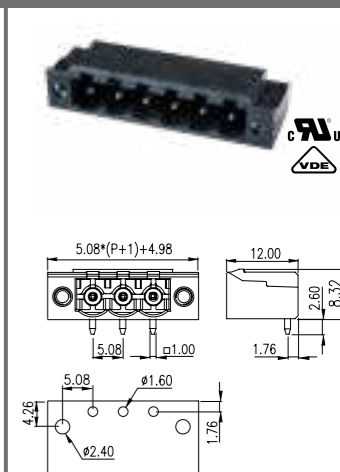
2EHDV-XXPL



2EHDRC-XXPL



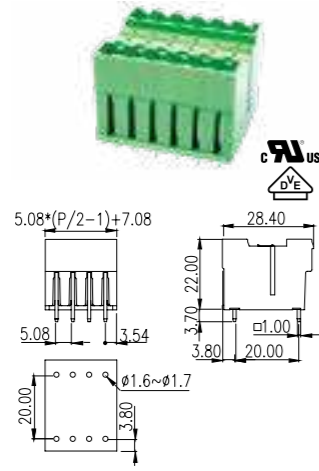
2EHDVM-XXPL



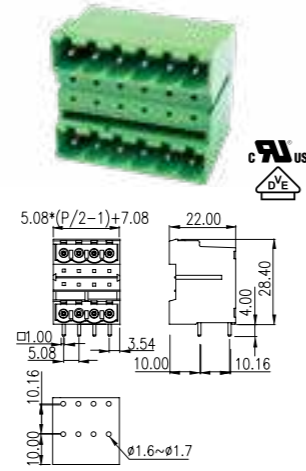
### 5.08mm

Technical Data	UL	IEC
Rated voltage	300V	630V
Rated current	15A	18A
Rated impulse voltage		4KV
Number of Positions		
2EHDBVM-XXP	04~44P	
2EHDBR-XXP		
2EHDV-XXP	04~48P	
2EHDVM-XXP		
2EHDR-XXP		
2EHDRM-XXP		
Accessories		
EHDK1	P54	

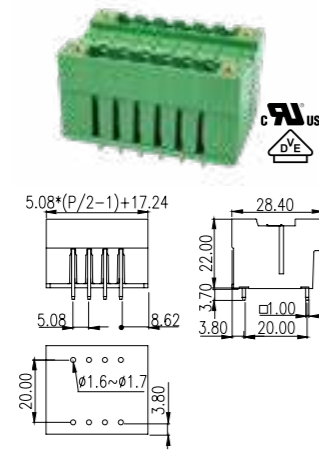
### 2EHDBV-XXP



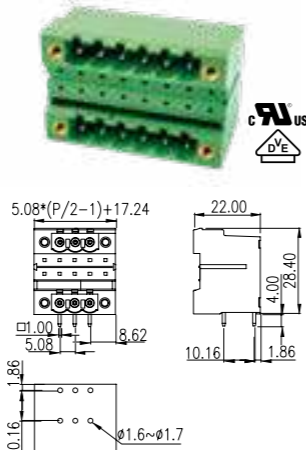
### 2EHDBR-XXP



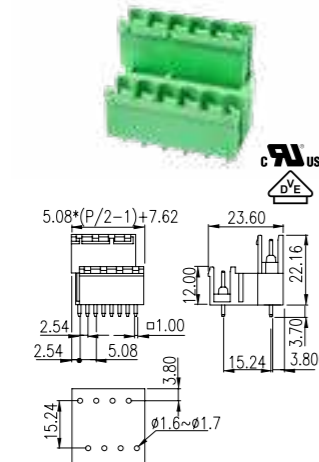
### 2EHDBVM-XXP



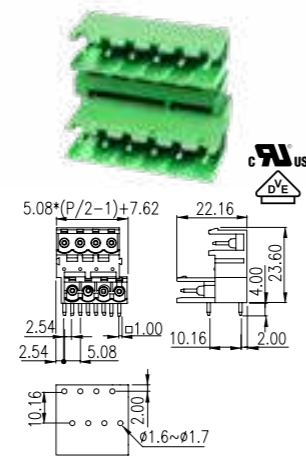
### 2EHDBRM-XXP



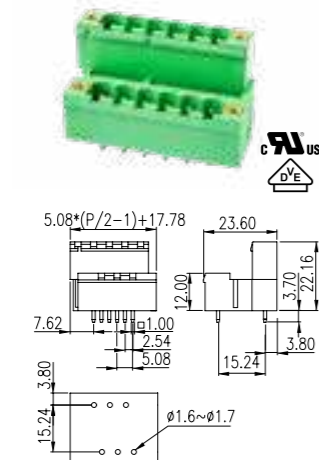
### 2EHDV-XXP



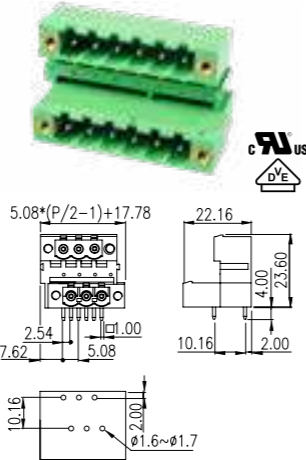
### 2EHDR-XXP



### 2EHDVM-XXP



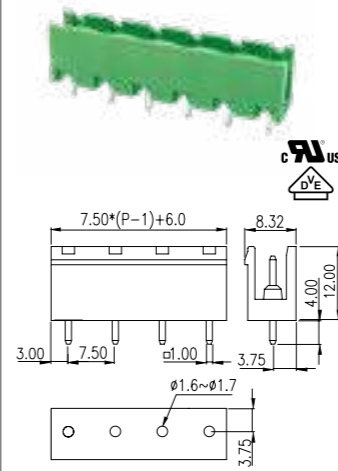
### 2EHDRM-XXP



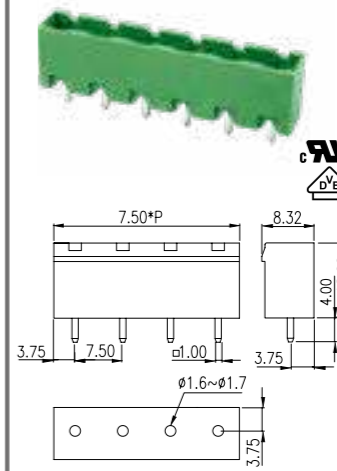
### 7.50mm

Technical Data	UL	IEC
Rated voltage	300V	800V
Rated current	15A	18A
Rated impulse voltage		6KV
Number of Positions		
	02~12P	
Accessories		
EHDK1	P54	

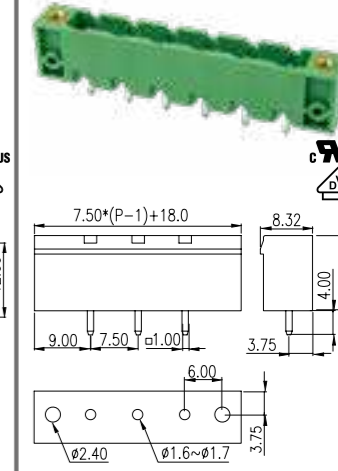
### 7EHDV-XXP



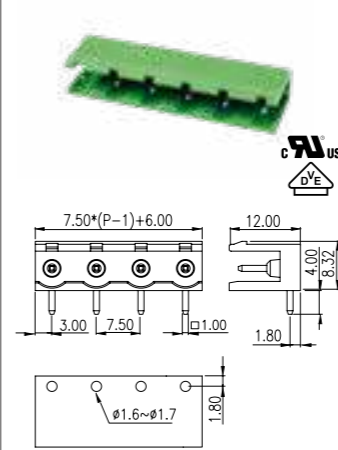
### 7EHDVC-XXP



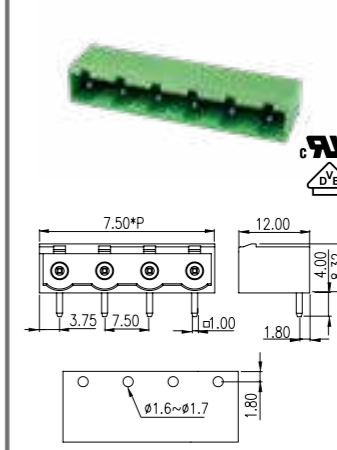
### 7EHDVM-XXP



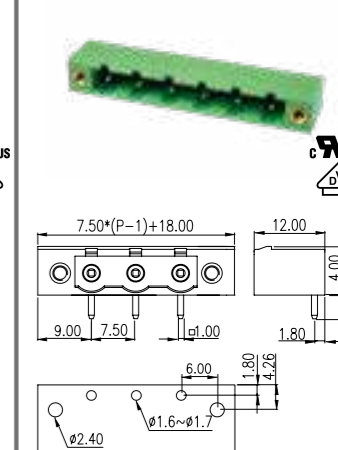
### 7EHDR-XXP



### 7EHDRC-XXP



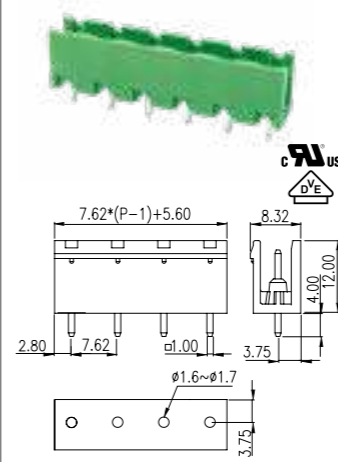
### 7EHDRM-XXP



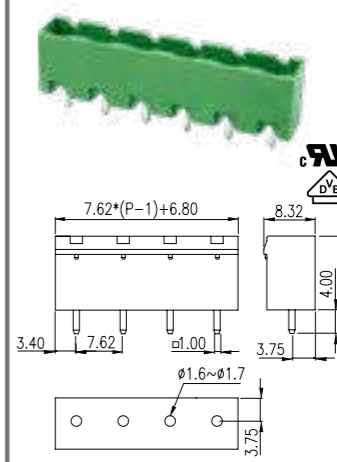
### 7.62mm

Technical Data	UL	IEC
Rated voltage	300V	800V
Rated current	25A	18A
Rated impulse voltage		6KV
Number of Positions		
	02~14P	
Accessories		
EHDK1	P54	

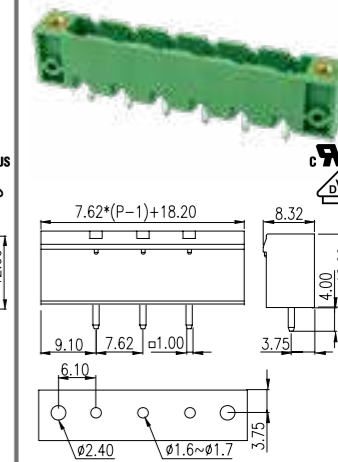
### 3EHDV-XXP



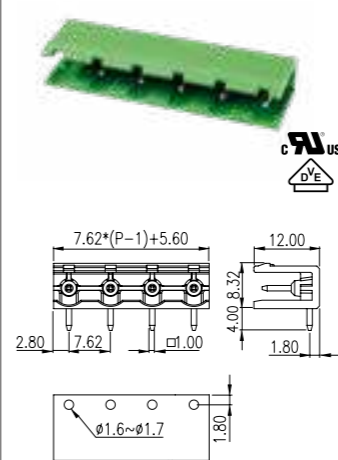
### 3EHDVC-XXP



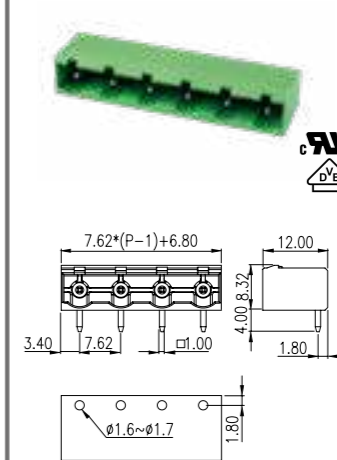
### 3EHDVM-XXP



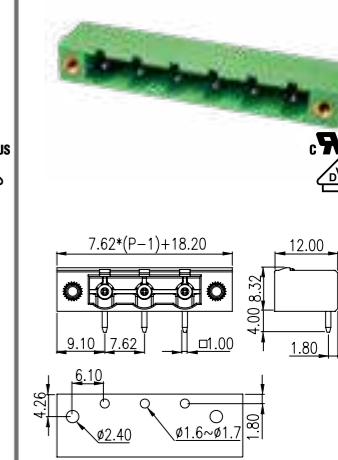
### 3EHDR-XXP



### 3EHDRC-XXP



### 3EHDRM-XXP

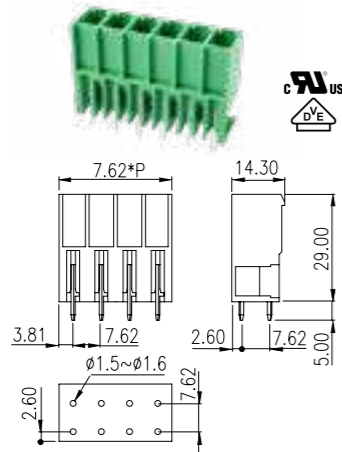




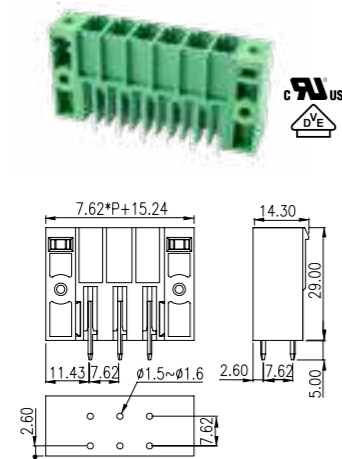
### 7.62mm

Technical Data		UL	IEC
Rated voltage		300V	1000V
Rated current		30A	41A
Rated impulse voltage			8KV
Number of Positions			
02~12P			
Accessories			
ECHK2		P54	

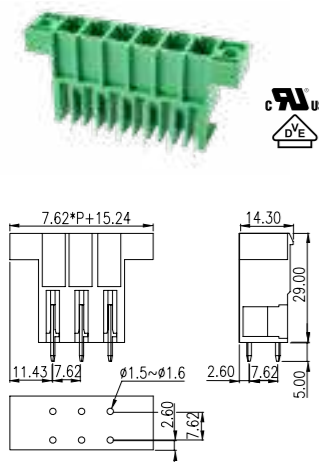
### ECH762V-XXP



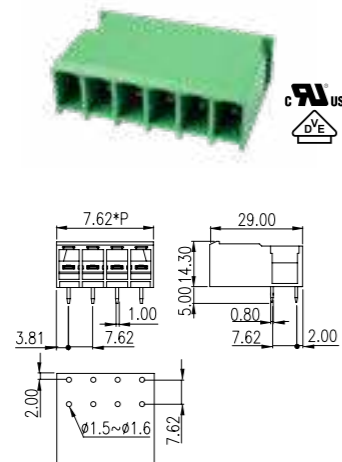
### ECH762VM-XXP



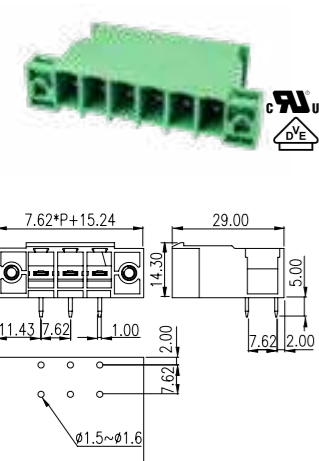
### ECH762VTM-XXP



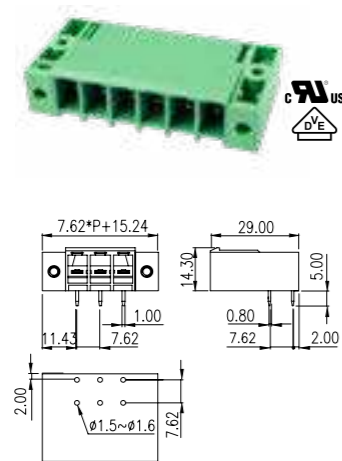
### ECH762R-XXP



### ECH762RTM-XXP



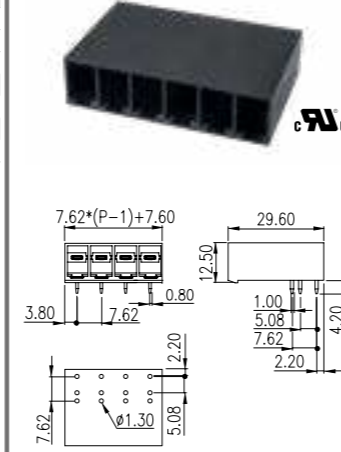
### ECH762RM-XXP



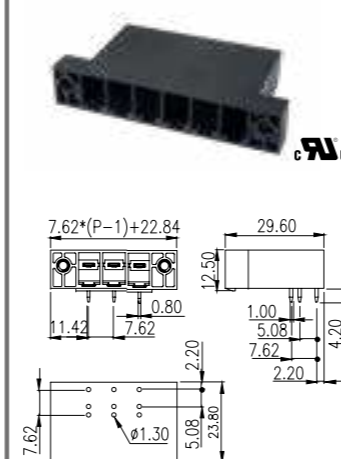
### 7.62mm

Technical Data		UL	IEC
Rated voltage		300V	1000V
Rated current		41A	41A
Rated impulse voltage			6KV
Number of Positions			
02~12P			
Accessories			
ECHK2		P54	

### ECH762RR-XXP



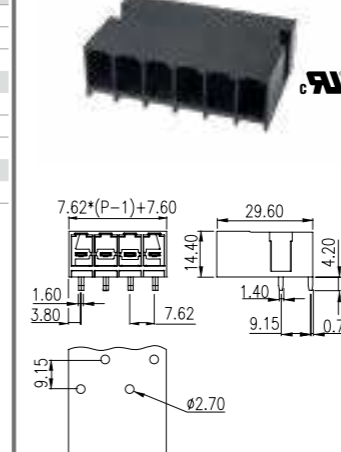
### ECH762RRM-XXP



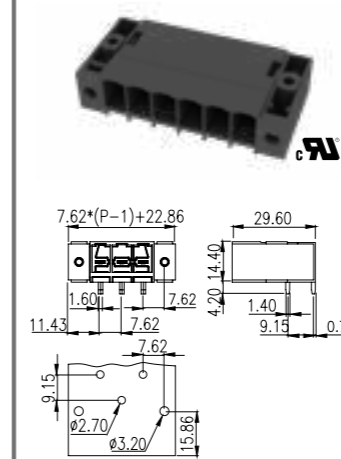
### 7.62mm

Technical Data		UL	IEC
Rated voltage		600V	1000V
Rated current		41A	41A
Rated impulse voltage			8KV
Number of Positions			
02~12P			
Accessories			
ECHK2		P54	

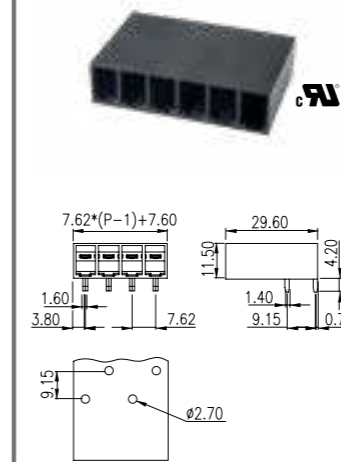
### ECH762HR-XXP



### ECH762HRM-XXP



### ECH762HRR-XXP



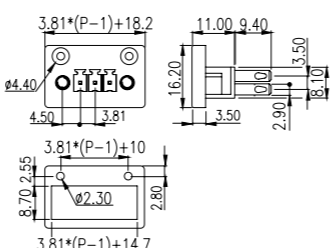


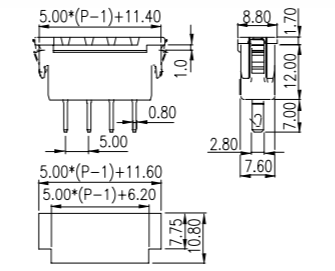




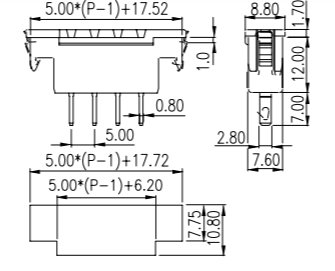
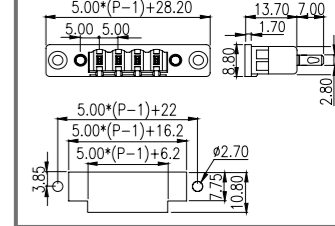




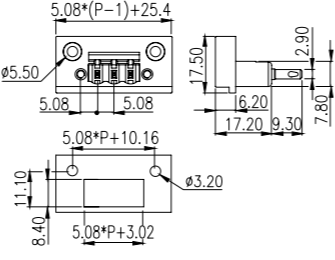
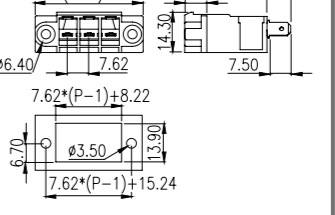

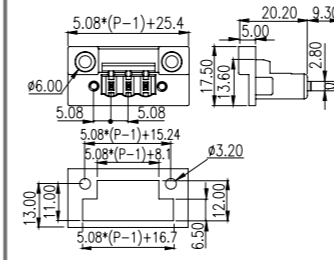


# Feed-Through Headers



Feed-through headers create a pluggable connection with devices/equipment on its housing/cabinet. The pin design can be a permanent solution or a temporary solution, which brings extremely flexibility in your application, you can choose PID connection plug or screw connection plug to mate with your demand.

- Pin design can be soldered with wire as a permanent solution, for temporary use it can slip the wire on the pin to solve your connection demand
- The feed-through headers are universal for plugs in push-in connection or screw connection
- Cable connections inside the device allow flexible positioning of the panel feedthroughs

3.81mm		ECHP381V-XXP							
Technical Data	UL	IEC							
Rated voltage	300V	320V							
Rated current	8A	14A							
Rated impulse voltage		2.5KV							
Number of Positions									
ECHP381V-XXP			02~24P						
Accessories									
ECHK1		P54							
5.00mm		5EHDK-XXP/1.0		5EHDK-XXP/1.2	5EHDK-XXP/1.4	5EHDK-XXP/1.6			
Technical Data	UL	IEC							
Rated voltage	300V	600V							
Rated current	15A	18A							
Rated impulse voltage		4KV							
Number of Positions									
EHDK1			02~12P						
Accessories									
ECHK1		P54							
5.00mm		5EHDKM-XXP/1.0		5EHDKM-XXP/1.2	5EHDKM-XXP/1.4	5EHDKM-XXP/1.6	5EHDKPM-XXP		
Technical Data	UL	IEC							
Rated voltage	300V	600V							
Rated current	15A	18A							
Rated impulse voltage		4KV							
Number of Positions									
EHDK1			02~12P						
Accessories									
ECHK1		P54							
5.08mm		2EHDP-XXP		2EHDPN-XXP	7.62mm	ECHP762V-XXP			
Technical Data	UL	IEC							
Rated voltage	300V	630V							
Rated current	15A	18A							
Rated impulse voltage		4KV							
Number of Positions									
EHDK1			02~24P						
Accessories									
ECHK1		P54							
Technical Data	UL	IEC							
Rated voltage	300V	800V							
Rated current	30A	41A							
Rated impulse voltage		6KV							
Number of Positions									
ECHP762V-XXP			02~12P						
Accessories									
ECHK2		P54							

# Tape & Reel Packaging



PCB Headers are delivered in tape-on-reel packaging according to IEC 60283-3 allowing for easy integration into automated assembly in the reflow process.

For 3.50 / 3.81 / 5.0 / 5.08 / 7.62 mm Pitches

- Part number contains letter "L" means its suitable for reflow process (e.g., 0156-24XXLWR, this item is suitable for reflow process.)
- Part number without "L" means it's suitable for wave soldering
- For headers with plug-in direction vertical to The PCB, pick up cap is included

Embossed Tape and Reel is used to facilitate automatic pick and place equipment feed requirements. The tape is used as the shipping container for various products and requires a minimum of handling. The antistatic/conductive tape provides a secure cavity for the product when sealed with the "peel-back" cover tape.



Pick up cap for vertical socket/header



T & R packaging in antistatic material



Customized tape, tube magazine packing by request

3.50mm		0156-26XX-BK-WR 0156-26XXLWR	0156-25XX-BK-WR 0156-25XXLWR	0156-29XX-BK-WR 0156-29XXLWR
Technical Data	UL IEC			
Rated voltage	150V 320V			
Rated current	10A 10A			
Rated impulse voltage	2.5KV			
Number of Positions				
0156-24XX-BK-WR	04~28P			
0156-24XXLWR				
0156-20XX-BK-WR				
0156-20XXLWR				
0156-21XX-BK-WR				
0156-21XXLWR				
0156-21XX-BK-WR	04~32P			
0156-26XX-BK-WR				
0156-26XXLWR				
0156-29XX-BK-WR				
0156-29XXLWR				
0156-25XX-BK-WR	04~36P			
0156-25XXLWR				
		* The last suffix "L" of part number represents THR version		
3.50mm		0156-21XX-BK-WR 0156-21XXLWR	0156-20XX-BK-WR 0156-20XXLWR	0156-24XX-BK-WR 0156-24XXLWR
Technical Data	UL IEC			
Rated voltage	150V 320V			
Rated current	10A 10A			
Rated impulse voltage	2.5KV			
Number of Positions				
0159-13XXWR	8A			
0159-13XXLWR				
0159-33XXWR				
0159-33XXLWR				
0159-11XXWR	8A			
0159-11XXLWR				
0159-12XXWR	10A			
0159-12XXLWR				
0159-31XXWR				
0159-31XXLWR				
0159-31XXWR				
0159-32XXWR				
0159-32XXLWR				
0159-33XXWR				
0159-33XXLWR				
Rated impulse voltage	2.5KV			
Number of Positions				
0159-11XXWR	04~36P			
0159-11XXLWR				
0159-12XXWR				
0159-12XXLWR				
0159-13XXWR				
0159-13XXLWR				
0159-31XXWR	04~40P			
0159-31XXLWR				
0159-32XXWR				
0159-32XXLWR				
0159-33XXWR				
0159-33XXLWR				
		* The last suffix "L" of part number represents THR version		
3.50mm		0159-11XXWR 0159-11XXLWR	0159-31XXWR 0159-31XXLWR	0159-13XXWR 0159-13XXLWR
Technical Data	UL IEC			
Rated voltage	150V 320V			
Rated current	8A 8A			
Rated impulse voltage	2.5KV			
Number of Positions				
0159-11XXWR	04~36P			
0159-11XXLWR				
0159-12XXWR				
0159-12XXLWR				
0159-13XXWR				
0159-13XXLWR				
0159-31XXWR	04~40P			
0159-31XXLWR				
0159-32XXWR				
0159-32XXLWR				
0159-33XXWR				
0159-33XXLWR				
		* The last suffix "L" of part number represents THR version		
3.50mm		0159-12XXWR 0159-12XXLWR	0159-32XXWR 0159-32XXLWR	0159-33XXWR 0159-33XXLWR
Technical Data	UL IEC			
Rated voltage	150V 320V			
Rated current	10A 10A			
Rated impulse voltage	2.5KV			
Number of Positions				
0159-11XXWR	04~36P			
0159-11XXLWR				
0159-12XXWR				
0159-12XXLWR				
0159-13XXWR				
0159-13XXLWR				
0159-31XXWR	04~40P			
0159-31XXLWR				
0159-32XXWR				
0159-32XXLWR				
0159-33XXWR				
0159-33XXLWR				
		* The last suffix "L" of part number represents THR version		

### 3.50mm

Technical Data		UL	IEC
Rated voltage		300V	320V
Rated current		8A	10A
Rated impulse voltage			2.5KV
Number of Positions			
ECH350VM-XXPWR		02~15P	
ECH350VM-XXPLWR			
ECH350RM-XXPWR		02~16P	
ECH350RM-XXPLWR			
ECH350RRM-XXPWR			
ECH350RRM-XXPLWR		02~17P	
ECH350VT-XXPLWR			
ECH350V-XXPWR			
ECH350V-XXPLWR		02~18P	
ECH350R-XXPWR			
ECH350R-XXPLWR			
ECH350RT-XXPLWR			
ECH350RR-XXPWR			
ECH350RR-XXPLWR			
Accessories			
ECHK1		P54	

\*The last suffix "L" of part number represents THR version and the accessories is EHDK1L ( P54 )

ECH350V-XXPWR ECH350V-XXPLWR	ECH350VM-XXPWR ECH350VM-XXPLWR	ECH350VT-XXPLWR

ECH350R-XXPWR ECH350R-XXPLWR	ECH350RM-XXPWR ECH350RM-XXPLWR	ECH350RT-XXPLWR

ECH350RR-XXPWR ECH350RR-XXPLWR	ECH350RRM-XXPWR ECH350RRM-XXPLWR

### 5.00mm

Technical Data		UL	IEC
Rated voltage		300V	600V
Rated current		15A	18A
Rated impulse voltage			4KV
Number of Positions			
5EHDRC-XXPLWR		02~11P	
5EHDRC-XXPWR			
5EHDRC-XXPLWR		02~12P	
5EHDV-XXPWR			
5EHDV-XXPLWR		02~13P	
5EHDR-XXPWR			
5EHDR-XXPLWR			
Accessories			
EHDK1		P54	

\*The last suffix "L" of part number represents THR version and the accessories is EHDK1L ( P54 )

5EHDRC-XXPWR 5EHDRC-XXPLWR	5EHDV-XXPWR 5EHDV-XXPLWR	5EHDR-XXPWR 5EHDR-XXPLWR

### 3.81mm

Technical Data		UL	IEC
Rated voltage		300V	320V
Rated current		8A	14A
Rated impulse voltage			2.5KV
Number of Positions			
ECH381V-XXPWR		02~14P	
ECH381V-XXPLWR			
ECH381R-XXPWR			
ECH381R-XXPLWR		02~16P	
ECH381RR-XXPWR			
ECH381RR-XXPLWR		02~17P	
ECH381RM-XXPWR			
ECH381RM-XXPLWR			
ECH381V-XXPWR			
ECH381V-XXPLWR			
Accessories			
EHDK1		P54	

\*The last suffix "L" of part number represents THR version and the accessories is EHDK1L ( P54 )

ECH381V-XXPWR ECH381V-XXPLWR	ECH381R-XXPWR ECH381R-XXPLWR	ECH381RR-XXPWR ECH381RR-XXPLWR

ECH381VM-XXPWR ECH381VM-XXPLWR	ECH381RM-XXPWR ECH381RM-XXPLWR	ECH381RRM-XXPWR ECH381RRM-XXPLWR

### 5.00mm

Technical Data		UL	IEC
Rated voltage		300V	600V
Rated current		15A	16A
Rated impulse voltage			4KV
Number of Positions			
5EHDVM-XXPWR		02~11P	
5EHDVM-XXPLWR			
5EHDRC-XXPWR			
5EHDRC-XXPLWR		02~12P	
5EHDV-XXPWR			
5EHDV-XXPLWR		02~13P	
5EHDR-XXPWR			
5EHDR-XXPLWR			
Accessories			
EHDK1		P54	




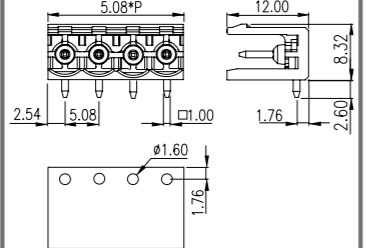
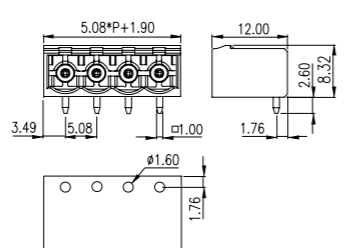
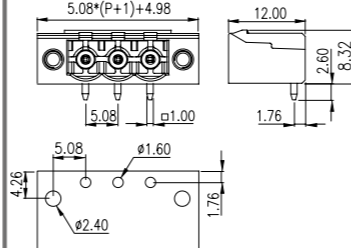
\*The last suffix "L" of part number represents THR version and the accessories is EHDK1L ( P54 )

5EHDV-XXPWR 5EHDV-XXPLWR	5EHDRC-XXPWR 5EHDRC-XXPLWR	5EHDVM-XXPWR 5EHDVM-XXPLWR




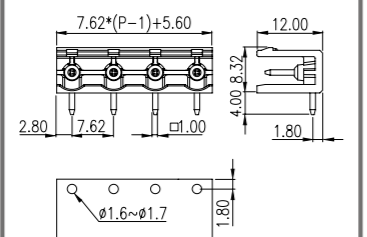
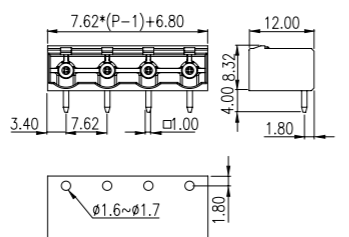
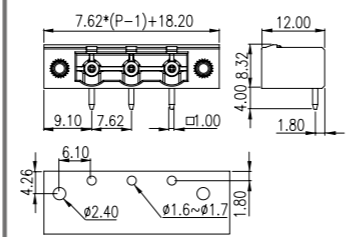
5EHDR-XXPWR 5EHDR-XXPLWR	5EHDRC-XXPWR 5EHDRC-XXPLWR	5EHDVM-XXPWR 5EHDVM-XXPLWR

5.08mm		2EHDV-XXPWR 2EHDV-XXPLWR	2EHDVC-XXPWR 2EHDVC-XXPLWR	2EHDVM-XXPWR 2EHDVM-XXPLWR
Technical Data	UL IEC			
Rated voltage	300V 630V			
Rated current	15A / 20A 18A			
Rated impulse voltage	4KV			
Number of Positions				
2EHDVM-XXPWR	02~10P			
2EHDVM-XXPLWR				
2EHDRC-XXPWR				
2EHDRC-XXPLWR				
2EHDRM-XXPWR	02~11P			
2EHDRM-XXPLWR				
2EHDV-XXPWR				
2EHDV-XXPLWR	02~12P			
2EHDVC-XXPWR				
2EHDVC-XXPLWR				
2EHDR-XXPWR				
2EHDR-XXPLWR	02~13P			
Accessories				
EHDK1	P54			

\*The last suffix "L" of part number represents THR version and the accessories is EHDK1L ( P54 )

2EHDR-XXPWR 2EHDR-XXPLWR	2EHDRC-XXPWR 2EHDRC-XXPLWR	2EHDRM-XXPWR 2EHDRM-XXPLWR
		
		

7.62mm		3EHDV-XXPWR	3EHDVC-XXPWR	3EHDVM-XXPWR
Technical Data	UL IEC			
Rated voltage	300V 800V			
Rated current	15A 18A			
Rated impulse voltage	6KV			
Number of Positions				
3EHDRC-XXPWR	02~07P			
3EHDVM-XXPWR				
3EHDRM-XXPWR				
3EHDV-XXPWR	02~08P			
3EHDVC-XXPWR				
3EHDR-XXPWR	02~09P			
Accessories				
EHDK1	P54			

3EHDR-XXPWR	3EHDRC-XXPWR	3EHDRM-XXPWR
		
		

# PCB Terminal Blocks

Dinkle PCB terminal blocks include 2.5 mm pitch miniature PCB terminals and max. 20 mm pitch terminals in both metric and imperial pitch. All product is compatible to standards UL1059 and IEC/EN60947-7-4 with safety approvals.

Provide suitable terminal blocks for your application, especially in the field of process interface, automation components and frequency converters.

Dinkle PCB terminal block products can meet your needs always. Provide you with different connection solutions for various manufacturing processes, such as push-in, Screw and spring clamp connection technologies. Makes PCB assembly efficiently and reliably.



# PID (Push-in Design) PCB Terminal Blocks



**Connection method: Push-in connection**  
**Pitch: 2.50mm / 2.54mm / 3.50mm / 3.81mm / 5.00mm / 5.08mm / 10.00mm**  
**UL Rated: 150V/5A~ 600V/20A**  
**IEC Rated: 130V/6A~ 1000V/24A**

- Push-in connection single and double level PCB terminal blocks
- Horizontal, vertical and 45 degrees plug-in directions
- Versions with support pin for additional stability on PCB
- Color identification for each individual pole is available by request

The Push-in design adopts specially designed spring technology which allows fast and easy wiring free of tool. The structure is rigid, durable and takes moderate force to release the wire with a screwdriver.

2.50mm		0136-10XX		2.50mm		0136-11XX		
Technical Data	UL	IEC		Technical Data	UL	IEC		
Rated voltage	300V	400V	 	Rated voltage	150V	250V	 	
Rated current	2A	2A		Rated current	2A	2A		
Solid (AWG/mm <sup>2</sup> )	28~20	0.2~0.5		Solid (AWG/mm <sup>2</sup> )	28~20	0.2~0.5		
Flexible (AWG/mm <sup>2</sup> )		0.2~0.5		Flexible (AWG/mm <sup>2</sup> )		0.2~0.5		
Rated impulse voltage		4KV		Rated impulse voltage		2.5KV		
Wire strip length	8~9mm		Number of Positions	8~9mm		Wire strip length	8~9mm	
Number of Positions			02~24P			Number of Positions		
			0136-11XX			02~24P		

2.54mm		0138-10XX		0138-11XX				
Technical Data	UL	IEC		Technical Data	UL	IEC		
Rated voltage	150V	130V	 	Rated voltage	150V	130V	 	
Rated current	5A	6A		Rated current	5A	6A		
Solid (AWG/mm <sup>2</sup> )	28~20	0.2~0.5		Solid (AWG/mm <sup>2</sup> )	28~20	0.2~0.5		
Flexible (AWG/mm <sup>2</sup> )	28~20	0.2~0.5		Flexible (AWG/mm <sup>2</sup> )	28~20	0.2~0.5		
Rated impulse voltage		2.5KV		Rated impulse voltage		2.5KV		
Wire strip length	10~11mm		Number of Positions	10~11mm		Wire strip length	10~11mm	
Number of Positions			02~24P			Number of Positions		
			0138-11XX			02~24P		

2.50mm		0188-01XXL		0188-02XXL				
Technical Data	UL	IEC		Technical Data	UL	IEC		
Rated voltage	150V	160V	 	Rated voltage	150V	160V	 	
Rated current	5A	6A		Rated current	5A	6A		
Solid (AWG/mm <sup>2</sup> )	26~18	0.2~0.5		Solid (AWG/mm <sup>2</sup> )	26~18	0.2~0.5		
Flexible (AWG/mm <sup>2</sup> )	26~18	0.2~0.5		Flexible (AWG/mm <sup>2</sup> )	26~18	0.2~0.5		
Rated impulse voltage		2.5KV		Rated impulse voltage		2.5KV		
Wire strip length	7~8mm		Number of Positions	7~8mm		Wire strip length	7~8mm	
Number of Positions			02~20P			Number of Positions		
			0188-02XXL			02~20P		

2.54mm		141V-XXP		141R-XXP				
Technical Data	UL	IEC		Technical Data	UL	IEC		
Rated voltage	150V	160V	 	Rated voltage	150V	160V	 	
Rated current	5A	6A		Rated current	5A	6A		
Solid (AWG/mm <sup>2</sup> )	26~20	0.2~0.5		Solid (AWG/mm <sup>2</sup> )	26~20	0.2~0.5		
Flexible (AWG/mm <sup>2</sup> )	26~20	0.2~0.5		Flexible (AWG/mm <sup>2</sup> )	26~20	0.2~0.5		
Rated impulse voltage		2.5KV		Rated impulse voltage		2.5KV		
Wire strip length	10~11mm		Number of Positions	10~11mm		Wire strip length	10~11mm	
Number of Positions			01~24P			Number of Positions		
			141R-XXP			01~32P		

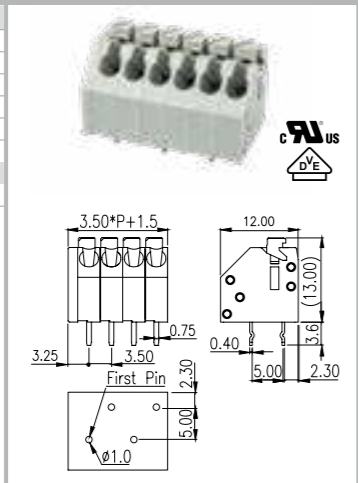
2.50mm		0188-01XXSMDWR		0188-02XXSMDWR				
Technical Data	UL	IEC		Technical Data	UL	IEC		
Rated voltage	300V	160V	 	Rated voltage	300V	160V	 	
Rated current	12A	17.5A		Rated current	12A	17.5A		
Solid (AWG/mm <sup>2</sup> )	28~16	0.14~1.5		Solid (AWG/mm <sup>2</sup> )	28~16	0.14~1.5		
Flexible (AWG/mm <sup>2</sup> )	28~16	0.14~1.5		Flexible (AWG/mm <sup>2</sup> )	28~16	0.14~1.5		
Rated impulse voltage		2.5KV		Rated impulse voltage		2.5KV		
Wire strip length	8~9mm		Number of Positions	8~9mm		Wire strip length	8~9mm	
Number of Positions			02~12P			Number of Positions		
			0188-02XXSMDWR			02~12P		

3.50mm		0138-50XXSMDWR		5.00mm		0188-12XXSMD		
Technical Data	UL	IEC		Technical Data	UL	IEC		
Rated voltage	300V	160V	 	Rated voltage	300V	320V	 	
Rated current	12A	17.5A		Rated current	10A	13.5A		
Solid (AWG/mm <sup>2</sup> )	28~16	0.2~1.5		Solid (AWG/mm <sup>2</sup> )	28~16	0.2~1.5		
Flexible (AWG/mm <sup>2</sup> )	28~16	0.14~1.5		Flexible (AWG/mm <sup>2</sup> )	28~16	0.2~1.5		
Rated impulse voltage		2.5KV		Rated impulse voltage		4KV		
Wire strip length	8~9mm		Number of Positions	8~9mm		Wire strip length	8~9mm	
Number of Positions			02~12P			Number of Positions		
			0138-50XXSMDWR			02~08P		

### 3.50mm

Technical Data	UL	IEC
Rated voltage	300V	400V
Rated current	6A	10A
Solid (AWG/mm <sup>2</sup> )	28~16	0.2~1.5
Flexible (AWG/mm <sup>2</sup> )		0.2~1.5
Rated impulse voltage		4KV
Wire strip length	8~9mm	
Number of Positions		
0136-20XX	02~24P	

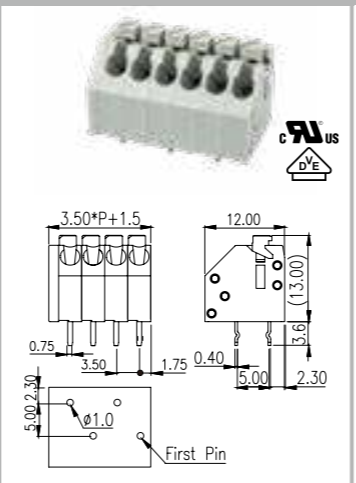
### 0136-20XX



### 3.50mm

Technical Data	UL	IEC
Rated voltage	300V	400V
Rated current	6A	10A
Solid (AWG/mm <sup>2</sup> )	28~16	0.2~1.5
Flexible (AWG/mm <sup>2</sup> )		0.2~1.5
Rated impulse voltage		4KV
Wire strip length	8~9mm	
Number of Positions		
0136-23XX	02~24P	

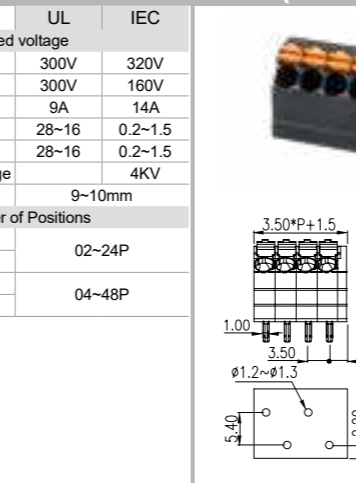
### 0136-23XX



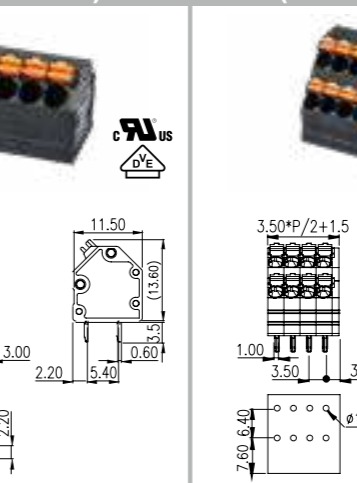
### 3.50mm

Technical Data	UL	IEC
Rated voltage		
0151-01XX	300V	320V
0151-02XX	300V	160V
Rated current	9A	14A
Solid (AWG/mm <sup>2</sup> )	28~16	0.2~1.5
Flexible (AWG/mm <sup>2</sup> )	28~16	0.2~1.5
Rated impulse voltage		4KV
Wire strip length	9~10mm	
Number of Positions		
0151-01XX	02~24P	
0151-01XXL		
0151-02XX	04~48P	
0151-02XXL		

### 0151-01XX (0151-01XXL)



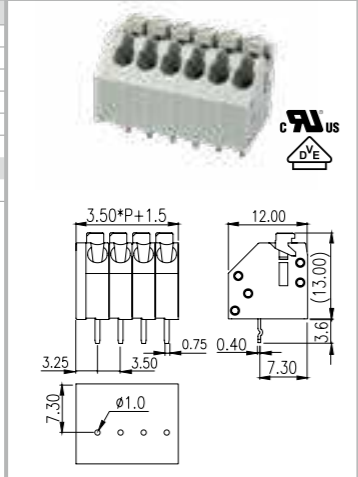
### 0151-02XX (0151-02XXL)



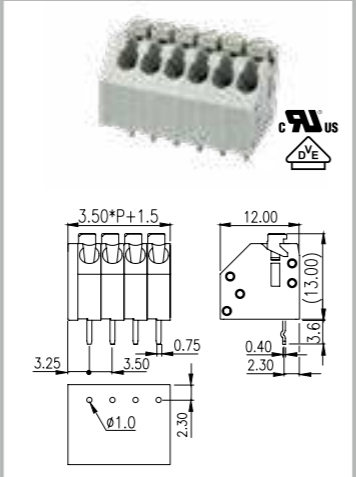
### 3.50mm

Technical Data	UL	IEC
Rated voltage	300V	250V
Rated current	6A	10A
Solid (AWG/mm <sup>2</sup> )	28~16	0.2~1.5
Flexible (AWG/mm <sup>2</sup> )		0.2~1.5
Rated impulse voltage		2.5KV
Wire strip length	8~9mm	
Number of Positions		
0136-21XX	02~24P	

### 0136-21XX



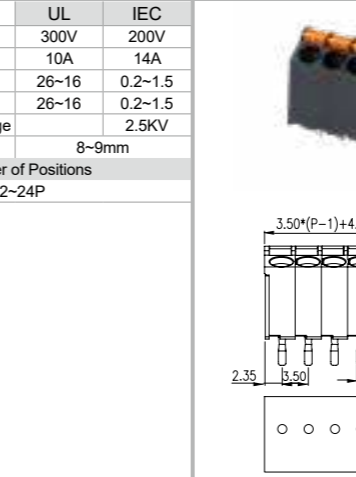
### 0136-22XX



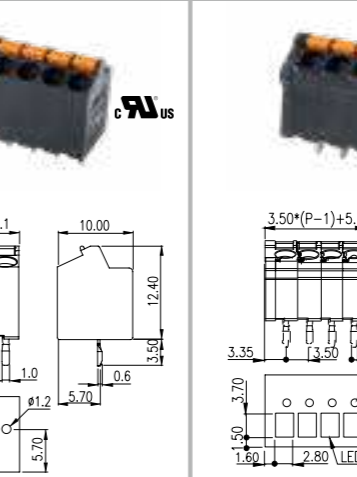
### 3.50mm

Technical Data	UL	IEC
Rated voltage	300V	200V
Rated current	10A	14A
Solid (AWG/mm <sup>2</sup> )	26~16	0.2~1.5
Flexible (AWG/mm <sup>2</sup> )	26~16	0.2~1.5
Rated impulse voltage		2.5KV
Wire strip length	8~9mm	
Number of Positions		
0185-11XX	02~24P	

### 0185-11XX



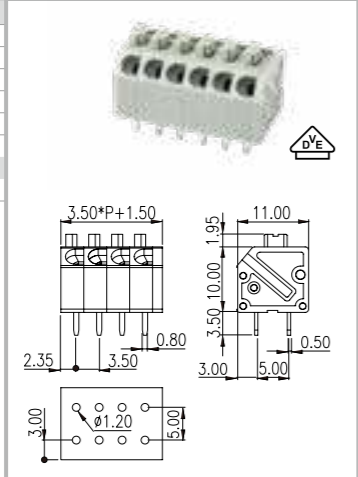
### 0185-12XX



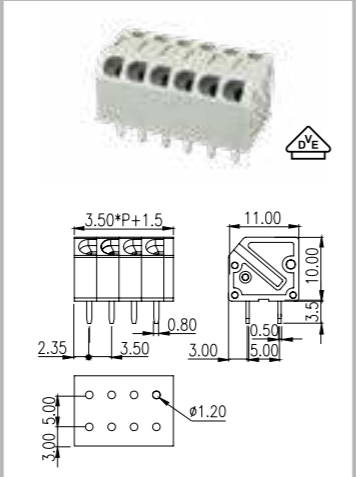
### 3.50mm

Technical Data	UL	IEC
Rated voltage	300V	160V
Rated current	5A	17.5A
Solid (AWG/mm <sup>2</sup> )	26~16	0.2~1.5
Flexible (AWG/mm <sup>2</sup> )	24~20	0.2~1.5
Rated impulse voltage		2.5KV
Wire strip length	9~10mm	
Number of Positions		
0137-40XX	02~24P	

### 0137-40XX



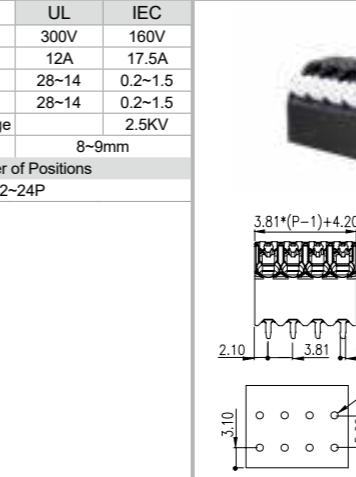
### 0137-41XX



### 3.81mm

Technical Data	UL	IEC
Rated voltage	300V	160V
Rated current	12A	17.5A
Solid (AWG/mm <sup>2</sup> )	28~14	0.2~1.5
Flexible (AWG/mm <sup>2</sup> )	28~14	0.2~1.5
Rated impulse voltage		2.5KV
Wire strip length	8~9mm	
Number of Positions		
0138-42XXL20	02~24P	

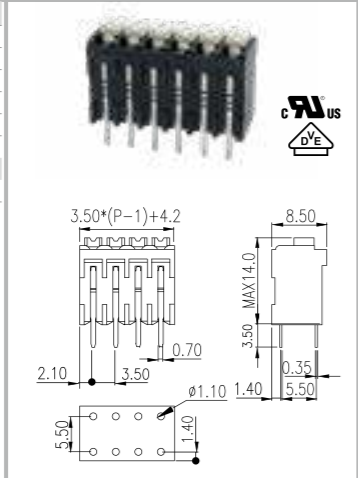
### 0138-42XXL20



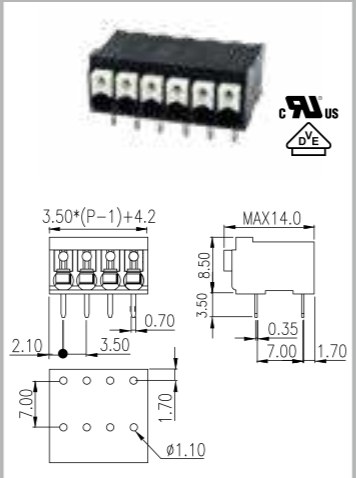
### 3.50mm

Technical Data	UL	IEC
Rated voltage	300V	160V
Rated current	12A	17.5A
Solid (AWG/mm <sup>2</sup> )	28~16	0.2~1.5
Flexible (AWG/mm <sup>2</sup> )	28~16	0.2~1.5
Rated impulse voltage		2.5KV
Wire strip length	8~9mm	
Number of Positions		
0138-50XX	02~24P	

### 0138-50XX (0138-50XXL)



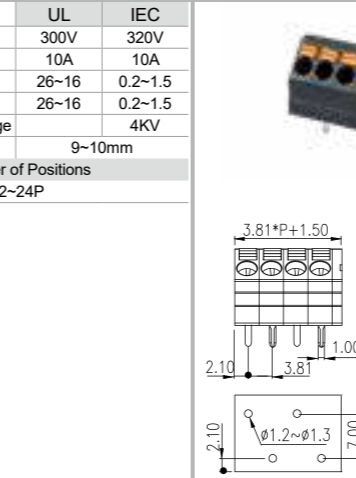
### 0138-51XX (0138-51XXL)



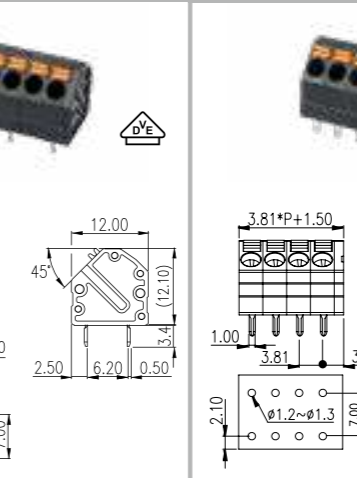
### 3.81mm

Technical Data	UL	IEC
Rated voltage	300V	320V
Rated current	10A	10A
Solid (AWG/mm <sup>2</sup> )	26~16	0.2~1.5
Flexible (AWG/mm <sup>2</sup> )	26~16	0.2~1.5
Rated impulse voltage		4KV
Wire strip length	9~10mm	
Number of Positions		
0141-01XX	02~24P	

### 0141-01XX



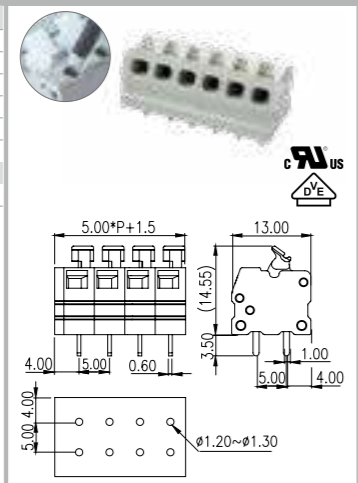
### 0141-22XX



**5.00mm**

Technical Data	UL	IEC
Rated voltage	300V	320V
Rated current	10A	17.5A
Solid (AWG/mm <sup>2</sup> )	26~14	0.2~1.5
Flexible (AWG/mm <sup>2</sup> )	26~16	0.2~1.5
Rated impulse voltage	4KV	
Wire strip length	9~10mm	
Number of Positions		
02~24P		

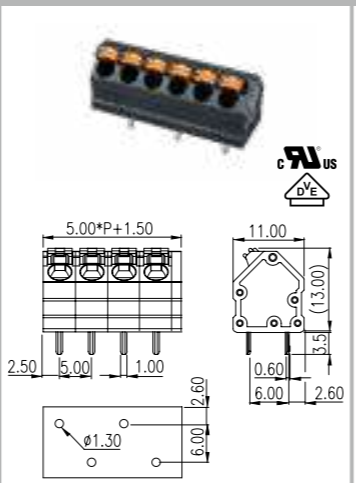
**0137-11XX**



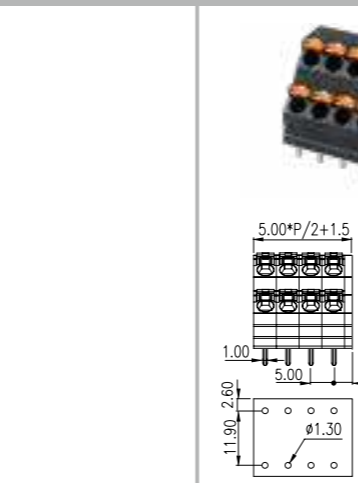
**5.00mm**

Technical Data	UL	IEC
Rated voltage	300V	320V
Rated current	10A	17.5A
Solid (AWG/mm <sup>2</sup> )	28~16	0.2~1.5
Flexible (AWG/mm <sup>2</sup> )	28~16	0.2~1.5
Rated impulse voltage	4KV	
Wire strip length	8~9mm	
Number of Positions		
0152-01XX 02~24P		
0152-02XX 04~48P		

**0152-01XX**



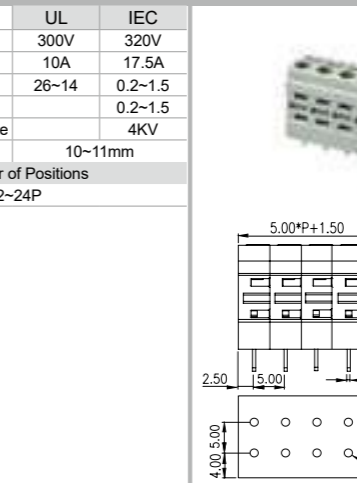
**0152-02XX**



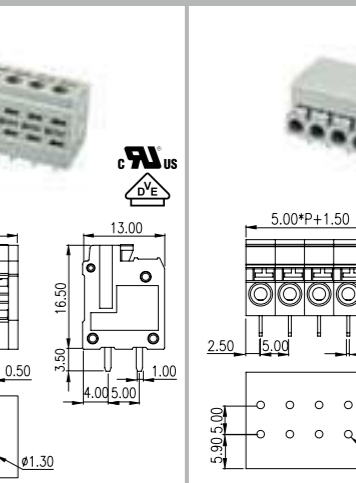
**5.00mm**

Technical Data	UL	IEC
Rated voltage	300V	320V
Rated current	10A	17.5A
Solid (AWG/mm <sup>2</sup> )	26~14	0.2~1.5
Flexible (AWG/mm <sup>2</sup> )	0.2~1.5	
Rated impulse voltage	4KV	
Wire strip length	10~11mm	
Number of Positions		
02~24P		

**0138-70XX**



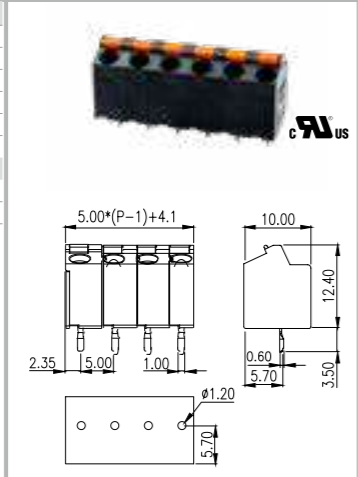
**0138-76XX**



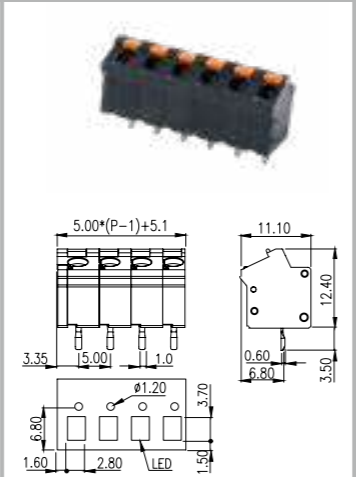
**5.00mm**

Technical Data	UL	IEC
Rated voltage	300V	320V
Rated current	10A	14A
Solid (AWG/mm <sup>2</sup> )	26~16	0.2~1.5
Flexible (AWG/mm <sup>2</sup> )	26~16	0.2~1.5
Rated impulse voltage	4KV	
Wire strip length	8~9mm	
Number of Positions		
0185-31XX 02~24P		
0185-32XX 02~20P		

**0185-31XX**



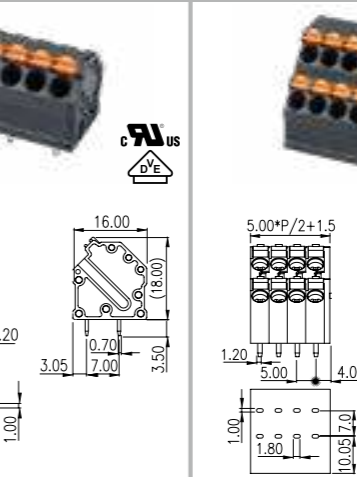
**0185-32XX**



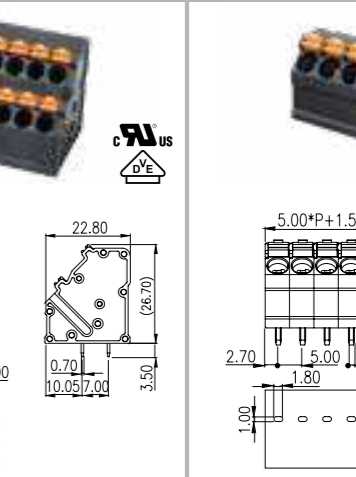
**5.00mm**

Technical Data	UL	IEC
Rated voltage	300V	320V
Rated current	20A	24A
Solid (AWG/mm <sup>2</sup> )	24~12	0.2~2.5
Flexible (AWG/mm <sup>2</sup> )	24~12	0.2~2.5
Rated impulse voltage	4KV	
Wire strip length	12~14mm	
Number of Positions		
0153-01XX 02~24P		
0153-91XX 04~48P		

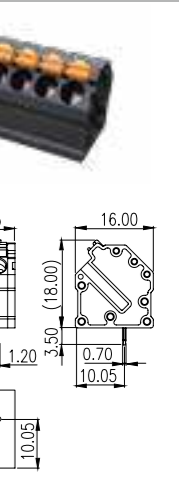
**0153-01XX**



**0153-02XX**



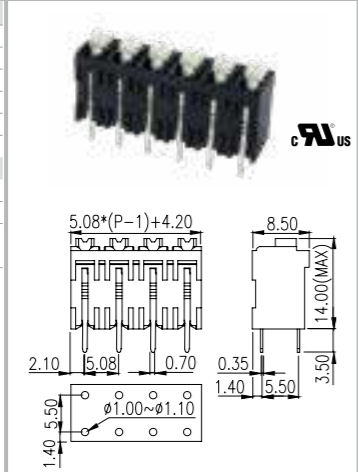
**0153-91XX**



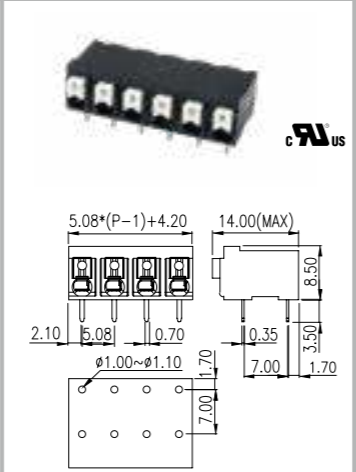
**5.08mm**

Technical Data	UL	IEC
Rated voltage	300V	320V
Rated current	12A	17.5A
Solid (AWG/mm <sup>2</sup> )	28~14	0.2~1.5
Flexible (AWG/mm <sup>2</sup> )	28~14	0.2~1.5
Rated impulse voltage	4KV	
Wire strip length	8~9mm	
Number of Positions		
0138-61XX 02~16P		
0138-60XX 02~18P		
0138-60XXL 02~24P		
0138-61XXL		

**0138-60XX**  
**0138-60XXL**



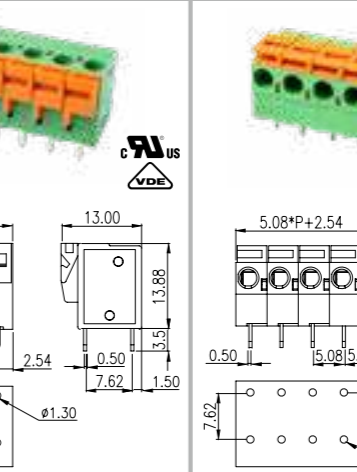
**0138-61XX**  
**0138-61XXL**



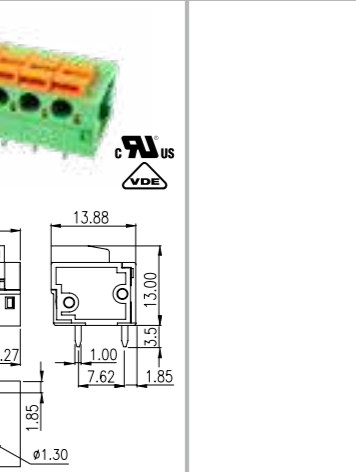
**5.08mm**

Technical Data	UL	IEC
Rated voltage	300V	450V
Rated current	10A	17.5A
Solid (AWG/mm <sup>2</sup> )	22~14	0.5~1.5
Flexible (AWG/mm <sup>2</sup> )	22~14	0.5~1.5
Rated impulse voltage	4KV	
Wire strip length	9~10mm	
Number of Positions		
02~24P		

**142V-XXP**



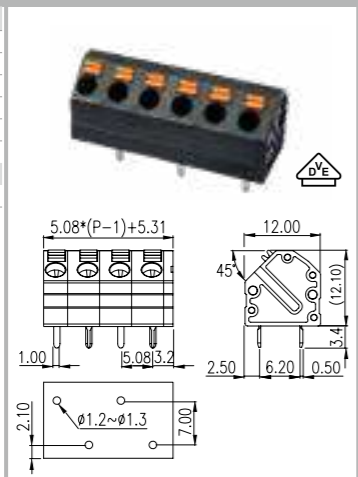
**142R-XXP**



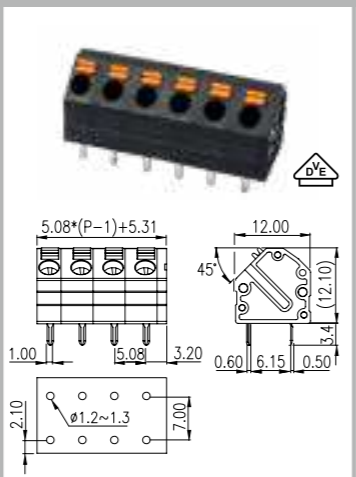
**5.08mm**

Technical Data	UL	IEC
Rated voltage	300V	320V
Rated current	10A	10A
Solid (AWG/mm <sup>2</sup> )	26~16	0.2~1.5
Flexible (AWG/mm <sup>2</sup> )	26~16	0.2~1.5
Rated impulse voltage	4KV	
Wire strip length	9~10mm	
Number of Positions		
02~24P		

**0141-21XX**



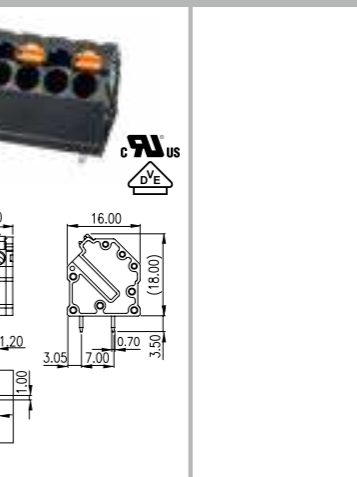
**0141-24XX**



**10.00mm**

Technical Data	UL	IEC
Rated voltage	600V	1000V
Rated current	20A	24A
Solid (AWG/mm <sup>2</sup> )	24~12	0.2~2.5
Flexible (AWG/mm <sup>2</sup> )	24~12	0.2~2.5
Rated impulse voltage	8KV	
Wire strip length	12~14mm	
Number of Positions		
02~12P		

**0153-41XX**





# Front Entry PID Terminal Blocks



**Connection method: Push-in connection**  
**Pitch: 3.50mm / 5.00mm / 6.35mm / 7.50mm / 10.00mm**  
**UL Rated: 300V / 10A ~ 600V / 66A**  
**IEC Rated: 320V / 17.5A ~ 1000V / 76A**

- 2 pins on each pole for excellent stability on PCB
- Versions with horizontal and vertical wire entry direction
- For stranded wire connection without ferrules, the clamp shall be opened by a screwdriver

### 3.50mm 0177-31XX

Technical Data	UL	IEC
Rated voltage	300V	320V
Rated current	10A	17.5A
Solid (AWG/mm <sup>2</sup> )	26~16	0.2~1.5
Flexible (AWG/mm <sup>2</sup> )	26~16	0.2~1.5
Rated impulse voltage	2.5KV	
Wire strip length	9~10mm	

Number of Positions: 02~24P

### 5.00mm 0177-51XX

Technical Data	UL	IEC
Rated voltage	300V	320V
Rated current	20A	24A
Solid (AWG/mm <sup>2</sup> )	26~12	0.2~2.5
Flexible (AWG/mm <sup>2</sup> )	26~12	0.2~2.5
Rated impulse voltage	4KV	
Wire strip length	9~10mm	

Number of Positions: 02~24P

### 6.35mm 0177-76XX

Technical Data	UL	IEC
Rated voltage	600V	1000V
Rated current	25A	32A
Solid (AWG/mm <sup>2</sup> )	24~10	0.2~4
Flexible (AWG/mm <sup>2</sup> )	24~10	0.2~4
Rated impulse voltage	8KV	
Wire strip length	13~14mm	

Number of Positions: 02~16P

### 3.50mm 0177-33XX

### 5.00mm 0177-53XX

### 6.35mm 0177-78XX

### 7.50mm 0177-81XX

Technical Data	UL	IEC
Rated voltage	300V	630V
Rated current	36A	41A
Solid (AWG/mm <sup>2</sup> )	24~8	0.2~10
Flexible (AWG/mm <sup>2</sup> )	24~8	0.2~6
Rated impulse voltage	6KV	
Wire strip length	15mm	

Number of Positions: 02~16P

### 7.50mm 0177-83XX

### 7.50mm 0177-86XX

Technical Data	UL	IEC
Rated voltage	600V	1000V
Rated current	36A	41A
Solid (AWG/mm <sup>2</sup> )	24~8	0.2~10
Flexible (AWG/mm <sup>2</sup> )	24~8	0.2~6
Rated impulse voltage	8KV	
Wire strip length	15~16mm	

Number of Positions: 02~16P

### 7.50mm 0177-88XX

### 10.00mm 0177-06XX

Technical Data	UL	IEC
Rated voltage	600V	1000V
Rated current	66A	76A
Solid (AWG/mm <sup>2</sup> )	20~4	0.75~16
Flexible (AWG/mm <sup>2</sup> )	20~4	0.75~16
Rated impulse voltage	8KV	
Wire strip length	18~20mm	

Number of Positions: 02~12P

### 10.00mm 0177-08XX

### 10.00mm 0177-03XX

Technical Data	UL	IEC
Rated voltage	300V	320V
Rated current	66A	76A
Solid (AWG/mm <sup>2</sup> )	20~4	0.75~16
Flexible (AWG/mm <sup>2</sup> )	20~4	0.75~16
Rated impulse voltage	4KV	
Wire strip length	18~20mm	

Number of Positions: 02~12P

### 15.00mm 0177-B3XX

### 7.50mm 0177-81XX

### 7.50mm 0177-83XX

### 7.50mm 0177-86XX

### 7.50mm 0177-88XX

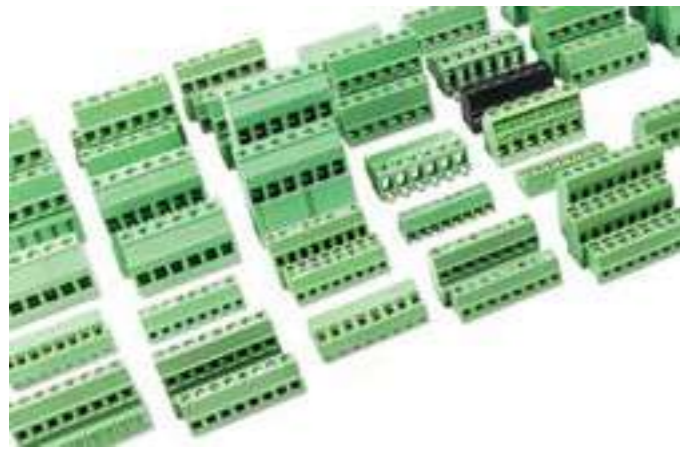
### 10.00mm 0177-06XX

### 10.00mm 0177-08XX

### 15.00mm 0177-B3XX

### 15.00mm 0177-B3XX

# Screw Connection PCB Terminal Blocks




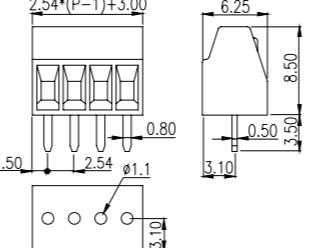


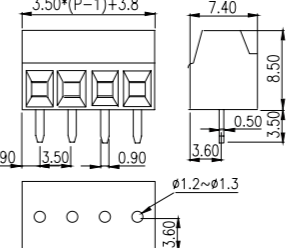


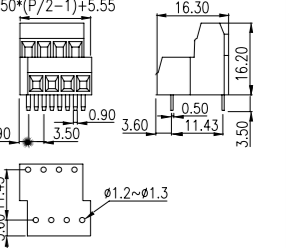


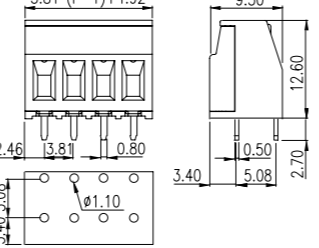


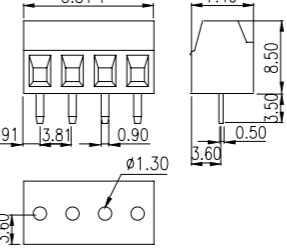


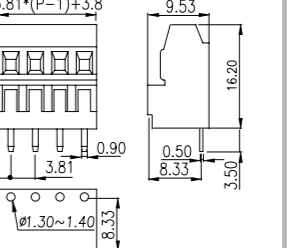


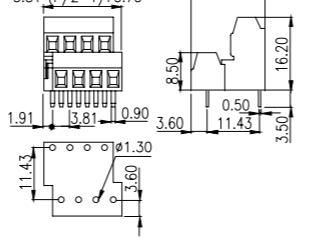


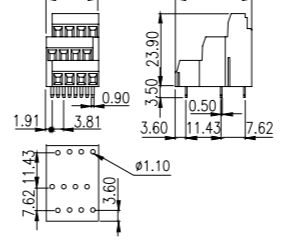


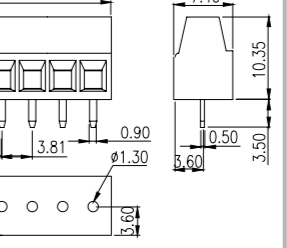


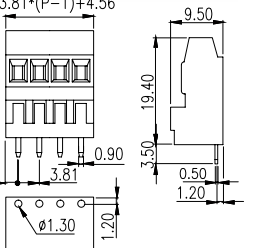


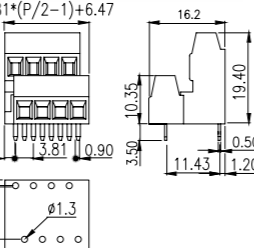


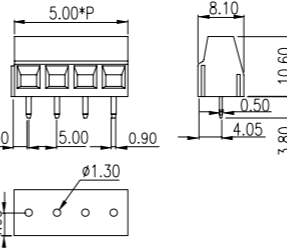

Connection method: Screw connection

Pitch: 2.54mm / 3.50mm / 3.81mm /  
5.00mm / 6.35mm / 7.50mm /  
9.52mm / 10.10mm / 15.00mm /  
17.5mm / 20.0mm

UL Rated: 150V / 10A ~ 600V / 200A

IEC Rated: 160V / 8A ~ 1000V / 232A

- Versions with single, double and triple-level PCB terminal blocks
- Horizontal, vertical and 45 degrees wire entry directions
- Space saving and finger-safe housing design
- Special markings on the housing for identification are available by request

2.54mm			EK254V-XXP			3.50mm			EK350V-XXP			3.50mm			EK350V4L-XXP								
Technical Data	UL	IEC				Technical Data	UL	IEC				Technical Data	UL	IEC									
Rated voltage	150V	160V				Rated voltage	300V	130V				Rated voltage	300V	130V									
Rated current	10A	8A				Rated current	10A	12A				Rated current	10A	10A									
Solid (AWG/mm <sup>2</sup> )	28~16	0.2~1.5				Solid (AWG/mm <sup>2</sup> )	30~16	0.14~1.5				Solid (AWG/mm <sup>2</sup> )	30~16	0.2~1.5									
Flexible (AWG/mm <sup>2</sup> )	28~16	0.2~1.5				Flexible (AWG/mm <sup>2</sup> )	30~16	0.14~1.5				Flexible (AWG/mm <sup>2</sup> )	30~16	0.2~1.5									
Rated impulse voltage		2.5KV				Rated impulse voltage		2.5KV				Rated impulse voltage		2.5KV									
Torque (N-m)		0.2				Torque (N-m)		0.2~0.25				Torque (N-m)		0.2~0.25									
Screw		M1.6				Screw		M2				Screw		M2									
Wire strip length		4~5mm				Wire strip length		5~6mm				Wire strip length		5~6mm									
Number of Positions						Number of Positions						Number of Positions											
02~16P						02~24P						04~40P											
3.81mm			EHK381V-XXP			3.81mm			EK381V-XXP			EEK381V-XXP			E3K381V-XXP								
Technical Data	UL	IEC				Technical Data	UL	IEC				Technical Data	UL	IEC									
Rated voltage	300V	250V				Rated voltage	300V	250V				Rated voltage	300V	250V									
Rated current	12A	12A				Rated current	12A	12A				Rated current	12A	12A									
Solid (AWG/mm <sup>2</sup> )	30~16	0.5~1.5				Solid (AWG/mm <sup>2</sup> )	30~16	0.5~1.5				Solid (AWG/mm <sup>2</sup> )	30~16	0.5~1.5									
Flexible (AWG/mm <sup>2</sup> )	30~16	0.5~1.5				Flexible (AWG/mm <sup>2</sup> )	30~16	0.5~1.5				Flexible (AWG/mm <sup>2</sup> )	30~16	0.5~1.5									
Rated impulse voltage		2.5KV				Rated impulse voltage		2.5KV				Rated impulse voltage		2.5KV									
Torque (N-m)		0.2~0.25				Torque (N-m)		0.2~0.25				Torque (N-m)		0.2~0.25									
Screw		M2				Screw		M2				Screw		M2									
Wire strip length		5~6mm				Wire strip length		5~6mm				Wire strip length		5~6mm									
Number of Positions						Number of Positions						Number of Positions											
02~16P						02~24P						02~24P											
3.81mm			EK381V4L-XXP			EK381V3L-XXP			3.81mm			ESK381V-XXP			ESK381R-XXP								
Technical Data	UL	IEC				Technical Data	UL	IEC				Technical Data	UL	IEC									
Rated voltage	300V	250V				Rated voltage	300V	250V				Rated voltage	300V	250V									
Rated current	12A	12A				Rated current	15A	12A				Rated current	15A	12A									
Solid (AWG/mm <sup>2</sup> )	30~16	0.5~1.5				Solid (AWG/mm <sup>2</sup> )	30~14	0.2~1.5				Solid (AWG/mm <sup>2</sup> )	30~14	0.2~1.5									
Flexible (AWG/mm <sup>2</sup> )	30~16	0.5~1.5				Flexible (AWG/mm <sup>2</sup> )	30~14	0.2~1.5				Flexible (AWG/mm <sup>2</sup> )	30~14	0.2~1.5									
Rated impulse voltage		2.5KV				Rated impulse voltage		2.5KV				Rated impulse voltage		2.5KV									
Torque (N-m)		0.2~0.25				Torque (N-m)		0.2~0.25				Torque (N-m)		0.2~0.25									
Screw		M2				Screw		M2				Screw		M2									
Wire strip length		5~6mm				Wire strip length		5~6mm				Wire strip length		5~6mm									
Number of Positions						Number of Positions						Number of Positions											
EK381V4L-XXP 04~48P						EK381V3L-XXP 06~72P						02~24P											
EK381V3L-XXP 06~72P												02~24P											
3.81mm			EESK381V-XXP			ESK381V4L-XXP			5.00mm			ELK500V-XXP			ELK500S-XXP			5.00mm			ELK500B-XXP		
Technical Data	UL	IEC				Technical Data	UL	IEC				Technical Data	UL	IEC									
Rated voltage	300V	250V				Rated voltage	300V	250V				Rated voltage	300V	250V									
Rated current	15A	12A				Rated current	13.5A	17.5A				Rated current	13.5A	14A									
Solid (AWG/mm <sup>2</sup> )	30~14	0.5~1.5				Solid (AWG/mm <sup>2</sup> )	30~16	0.14~1.5				Solid (AWG/mm <sup>2</sup> )	26~16	0.2~1.5									
Flexible (AWG/mm <sup>2</sup> )	30~14	0.5~1.5				Flexible (AWG/mm <sup>2</sup> )	30~14	0.14~1.5				Flexible (AWG/mm <sup>2</sup> )	26~16	0.2~1.5									
Rated impulse voltage		2.5KV				Rated impulse voltage		2.5KV				Rated impulse voltage		4KV									
Torque (N-m)		0.2~0.25				Torque (N-m)		0.4~0.5				Torque (N-m)		0.5~0.6									
Screw		M2				Screw		M2.5				Screw		M3									
Wire strip length		5~6mm				Wire strip length		5~6mm				Wire strip length		6~7mm									
Number of Positions						Number of Positions						Number of Positions											
EESK381V-XXP 02~24P						EESK381V4L-XXP 04~48P						02~24P											
EESK381V4L-XXP 04~48P												02~24P											

### 5.00mm

Technical Data	UL	IEC
Rated voltage	300V	250V
Rated current	20A	24A
Solid (AWG/mm <sup>2</sup> )		
EK500A-XXP	24~12	0.14~2.5
EK500V-XXP		0.5~2.5
EK500R-XXP		0.5~2.5
Flexible (AWG/mm <sup>2</sup> )		
EK500A-XXP	24~12	0.14~2.5
EK500V-XXP		0.5~2.5
EK500R-XXP		0.5~2.5
Rated impulse voltage	4KV	
Torque (N-m)	0.5~0.8	
Screw	M2.5	
Wire strip length	6~7mm	
Number of Positions		
	02~24P	

### EK500A-XXP

Technical drawings showing dimensions: 5.00\*P, 13.90, 15.50, 0.80, 7.80, 3.50, 2.50, 5.00, 1.00, 7.80, 1.7, 0.40, 1.380, 0.40, 3.50, 1.6.

### EK500V-XXP

Technical drawings showing dimensions: 5.00\*P, 10.00, 13.80, 0.80, 3.50, 2.50, 5.00, 1.00, 4.80, 3.50, 4.80, 1.6.

### EK500R-XXP

Technical drawings showing dimensions: 5.00\*P, 13.80, 10.00, 0.80, 3.50, 2.50, 5.00, 1.00, 1.380, 0.40, 1.6, 1.380, 0.40, 3.50, 1.6.

### 5.00mm

Technical Data	UL	IEC
Rated voltage	300V	320V
Rated current	20A	24A
Solid (AWG/mm <sup>2</sup> )		
EK500V4L-XXP	24~12	0.5~2.5
EK500V2L-XXP		0.5~2.5
EK500V3L-XXP		0.5~2.5
Rated impulse voltage	4KV	
Torque (N-m)	0.4~0.5	
Screw	M2.5	
Wire strip length	6~7mm	
Number of Positions		
EK500V4L-XXP	04~60P	
EK500V2L-XXP	04~20P	
EK500V3L-XXP	06~72P	

### EK500V4L-XXP

Technical drawings showing dimensions: 5.00\*P/2, 2.50, 21.64, 2.50, 5.00, 1.00, 3.50, 25.70, 3.50, 0.80, 4.80, 15.24, 1.524, 1.6, 4.80, 1.6, 1.524, 1.6.

### EK500V2L-XXP

Technical drawings showing dimensions: 2.50, 5.00\*P/2, 22.80, 3.50, 36.60, 25.20, 10.1, 11.0, 1.6, 1.6, 1.6, 1.6.

### EK500V3L-XXP

Technical drawings showing dimensions: 2.50, 5.00\*P/3, 31.80, 2.50, 5.00, 1.00, 0.80, 3.50, 4.80, 15.24, 10.16, 3.50, 1.6, 1.524, 1.6, 1.524, 1.6.

### 5.00mm

Technical Data	UL	IEC
Rated voltage	300V	250V
Rated current	20A	24A
Solid (AWG/mm <sup>2</sup> )		
E3K500V-XXP	24~12	0.2~2.5
EEK500V-XXP		0.2~2.5
Rated impulse voltage	4KV	
Torque (N-m)	0.4~0.5	
Screw	M2.5	
Wire strip length	6~7mm	
Number of Positions		
E3K500V-XXP	02~24P	
EEK500V-XXP	02~14P	

### E3K500V-XXP

Technical drawings showing dimensions: 5.00\*P, 11.16, 36.60, 0.80, 1.60, 2.50, 5.00, 1.00, 3.50, 1.60, 1.6, 1.7, 1.60, 1.6.

### EEK500V-XXP

Technical drawings showing dimensions: 5.00\*P, 12.64, 25.20, 0.80, 3.50, 2.50, 5.00, 1.00, 1.60, 3.50, 1.60, 1.6.

### 5.00mm

Technical Data	UL	IEC
Rated voltage	300V	300V
Rated current	25A	24A
Solid (AWG/mm <sup>2</sup> )		
EHK5V-XXP	24~12	0.2~4
Rated impulse voltage	4KV	
Torque (N-m)	0.4~0.5	
Screw	M2.5	
Wire strip length	7~8mm	
Number of Positions		
	02~24P	

### EHK5V-XXP

Technical drawings showing dimensions: 5.00\*P, 11.20, 18.00, 0.70, 5.50, 2.50, 5.00, 1.10, 4.00, 1.10, 5.50, 1.60, 1.60.

### 5.00mm

Technical Data	UL	IEC
Rated voltage	300V	250V
Rated current		
EHK500R-XXP	25A	24A
E2HK500V-XXPAM	20A	24A
Solid (AWG/mm <sup>2</sup> )		
EHK500R-XXP	24~12	0.5~2.5
E2HK500V-XXPAM	24~12	0.5~2.5
Rated impulse voltage	4KV	
Torque (N-m)	0.4~0.5	
Screw	M2.5	
Wire strip length	6~7mm	
Number of Positions		
EHK500R-XXP	02~24P	
E2HK500V-XXPAM	02~16P	

### EHK500R-XXP

Technical drawings showing dimensions: 5.00\*P, 18.00, 4.60, 11.20, 0.80, 2.70, 2.50, 5.00, 1.00, 1.80, 2.70, 1.60, 1.60.

### E2HK500V-XXPAM

Technical drawings showing dimensions: 5.00\*P, 11.05, 31.40, 2.50, 5.00, 1.00, 5.00, 9.50, 0.80, 9.50, 1.60, 1.60.

### 5.00mm

Technical Data	UL	IEC
Rated voltage	300V	400V
Rated current	20A	24A
Solid (AWG/mm <sup>2</sup> )		
EHK5V3L-XXP	24~12	0.2~2.5
Rated impulse voltage	4KV	
Torque (N-m)	0.4~0.5	
Screw	M2.5	
Wire strip length	6~7mm	
Number of Positions		
	06~72P	

### EHK5V3L-XXP

Technical drawings showing dimensions: 5.00\*(P/3-1)+7.50, 44.80, 4.00, 1.00\*0.80, 1.10\*0.70, 5.50, 15.20, 10.16, 1.60, 1.60, 1.7, 1.60, 1.60, 2.50, 1.60, 1.60.

### 5.08mm

Technical Data	UL	IEC
Rated voltage	300V	250V
Rated current	13.5A	14A
Solid (AWG/mm <sup>2</sup> )		
ELK508V-XXP	30~16	0.5~1.5
Rated impulse voltage	4KV	
Torque (N-m)	0.4~0.5	
Screw	M2.5	
Wire strip length	5~6mm	
Number of Positions		
	02~24P	

### ELK508V-XXP

Technical drawings showing dimensions: 5.08\*P, 8.10, 10.00, 0.50, 4.05, 2.54, 5.08, 0.90, 3.50, 4.05, 4.05, 1.30, 4.05.

### 5.08mm

Technical Data	UL	IEC
Rated voltage	300V	250V
Rated current	13.5A	17.5A
Solid (AWG/mm <sup>2</sup> )		
ELK508S-XXP	30~14	0.14~1.5
Rated impulse voltage	4KV	
Torque (N-m)	0.4~0.5	
Screw	M2.5	
Wire strip length	6~7mm	
Number of Positions		
	02~24P	

### ELK508S-XXP

Technical drawings showing dimensions: 5.08\*P, 11.00, 11.50, 2.54, 5.08, 1.00, 0.75, 5.00, 3.50, 5.00, 1.3, 4.05, 1.3.

### 5.08mm

Technical Data	UL	IEC
Rated voltage	300V	320V
Rated current	13.5A	13.5A
Solid (AWG/mm <sup>2</sup> )		
E2LK508V-XXP	30~14	0.14~1.5
Rated impulse voltage	4KV	
Torque (N-m)	0.4~0.5	
Screw	M2.5	
Wire strip length	6~7mm	
Number of Positions		
	02~24P	

### E2LK508V-XXP

Technical drawings showing dimensions: 5.08\*P, 8.60, 19.10, 2.54, 5.08, 1.00, 0.50, 3.50, 4.05, 4.05, 1.3, 4.05.

### 5.08mm

Technical Data	UL	IEC
Rated voltage	300V	250V
Rated current	13.5A	14A
Solid (AWG/mm <sup>2</sup> )		
EELK508V-XXP	26~16	0.5~1.5
Rated impulse voltage	4KV	
Torque (N-m)	0.4~0.5	
Screw	M2.5	
Wire strip length	6~7mm	
Number of Positions		
	04~32P	

### EELK508V-XXP

Technical drawings showing dimensions: 5.08\*P/2, 2.54, 18.30, 0.90, 2.54, 3.50, 19.8, 10.00, 4.05, 0.50, 10.00, 4.05, 10.00, 1.3, 4.05, 1.3.

### 5.08mm

Technical Data	UL	IEC
Rated voltage	300V	250V
Rated current	20A	24A
Solid (AWG/mm <sup>2</sup> )		
EK508A-XXP	24~12	0.14~2.5
Rated impulse voltage	4KV	
Torque (N-m)	0.4~0.5	
Screw	M2.5	
Wire strip length	7~8mm	
Number of Positions		
	02~25P	

### EK508A-XXP

Technical drawings showing dimensions: 5.08\*P, 13.90, 15.50, 2.54, 5.08, 1.00, 0.80, 6.10, 3.50, 6.10, 1.6, 6.10, 1.6.

### 5.08mm

Technical Data	UL	IEC
Rated voltage	300V	250V
Rated current	20A	24A
Solid (AWG/mm <sup>2</sup> )		
EK508V-XXP	24~12	0.5~2.5
Rated impulse voltage	4KV	
Torque (N-m)	0.4~0.5	
Screw	M2.5	
Wire strip length	6~7mm	
Number of Positions		
	02~24P	

### EK508V-XXP

Technical drawings showing dimensions: 5.08\*P, 10.00, 13.80, 2.54, 5.08, 1.00, 0.80, 4.80, 3.50, 4.80, 1.6, 4.80, 1.6.

### 5.08mm

Technical Data	UL	IEC
Rated voltage	300V	250V
Rated current	20A	24A
Solid (AWG/mm <sup>2</sup> )		
EK508R-XXP	24~12	0.5~2.5
Rated impulse voltage	4KV	
Torque (N-m)	0.4~0.5	
Screw	M2.5	
Wire strip length	6~7mm	
Number of Positions		
	02~24P	

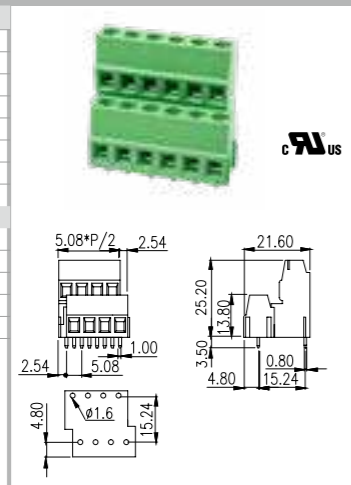
### EK508R-XXP

Technical drawings showing dimensions: 5.08\*P, 13.80, 10.00, 0.80, 2.54, 5.08, 1.00, 3.50, 10.00, 0.80, 0.4, 1.6, 13.80, 1.6.

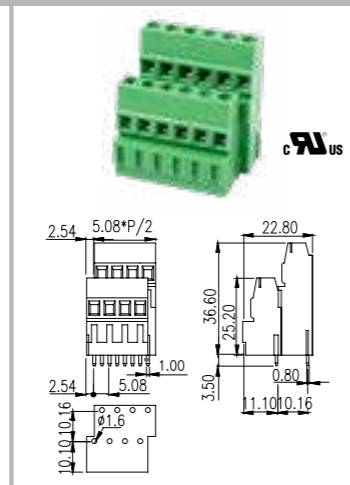
### 5.08mm

Technical Data	UL	IEC
Rated voltage	300V	320V
Rated current	20A	24A
Solid (AWG/mm <sup>2</sup> )	24~12	0.5~2.5
Flexible (AWG/mm <sup>2</sup> )	24~12	0.5~2.5
Rated impulse voltage	4KV	
Torque (N-m)	0.4~0.5	
Screw	M2.5	
Wire strip length	6~7mm	
Number of Positions		
EK508V4L-XXP	04~70P	
EK508V2L-XXP	04~40P	
EK508V3L-XXP	06P, 09P...up to 72P	
E3K508V-XXP	02P, 03P...up to 24P	
EEK508V-XXP	02~15P	

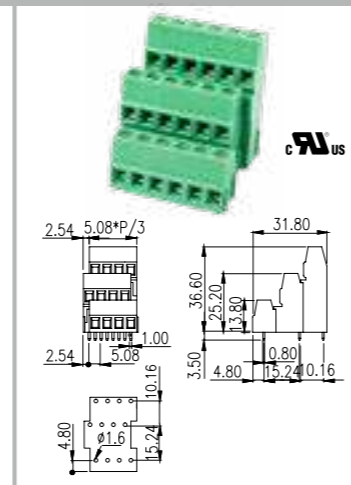
### EK508V4L-XXP



### EK508V2L-XXP



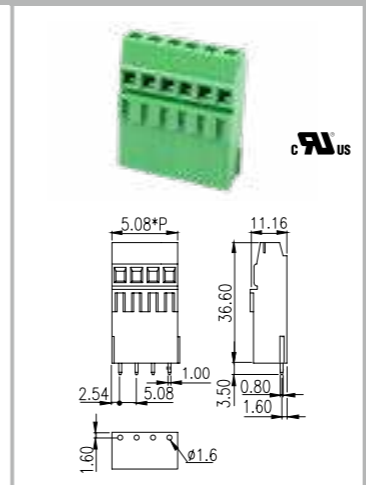
### EK508V3L-XXP



### E3K508V-XXP



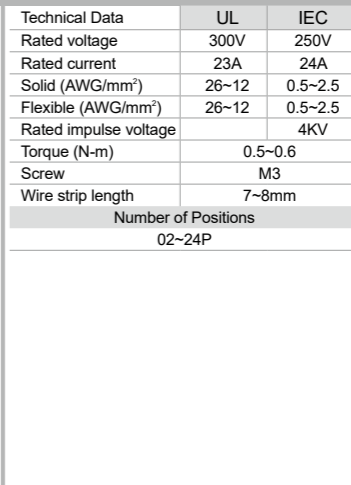
### EEK508V-XXP



### 5.08mm

Technical Data	UL	IEC
Rated voltage	300V	250V
Rated current	23A	24A
Solid (AWG/mm <sup>2</sup> )	26~12	0.5~2.5
Flexible (AWG/mm <sup>2</sup> )	26~12	0.5~2.5
Rated impulse voltage	4KV	
Torque (N-m)	0.5~0.6	
Screw	M3	
Wire strip length	7~8mm	
Number of Positions		
	02~24P	

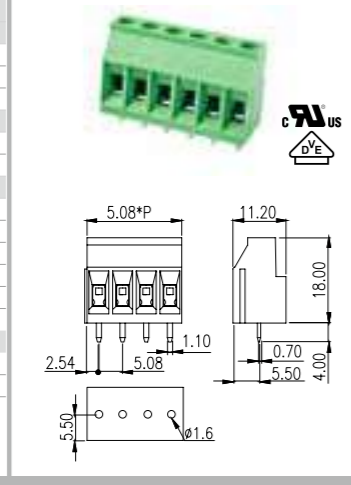
### ESK508V-XXP



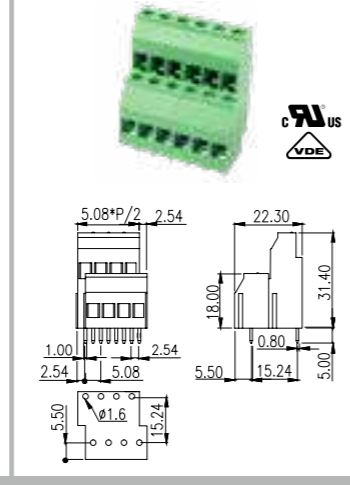
### 5.08mm

Technical Data	UL	IEC
Rated voltage		
EHK2V-XXP	300V	300V
EEHK2V-XXP	300V	250V
Rated current	25A	24A
Solid (AWG/mm <sup>2</sup> )		
EHK2V-XXP	24~12	0.2~4
EEHK2V-XXP	24~12	0.5~2.5
Flexible (AWG/mm <sup>2</sup> )		
EHK2V-XXP	24~12	0.2~2.5
EEHK2V-XXP	24~12	0.5~2.5
Rated impulse voltage	4KV	
Torque (N-m)	0.4~0.5	
Screw	M2.5	
Wire strip length	6~7mm	
Number of Positions		
EHK2V-XXP	02~24P	
EEHK2V-XXP	04~48P	

### EHK2V-XXP



### EEHK2V-XXP



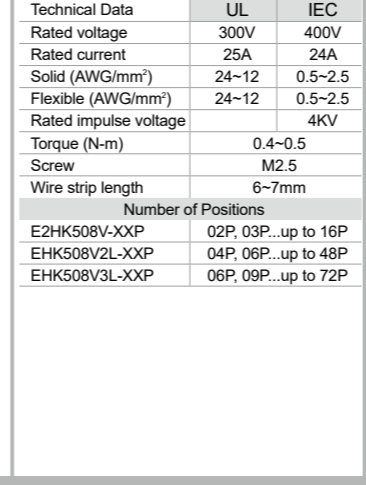
### 5.08mm

Technical Data	UL	IEC
Rated voltage	300V	400V
Rated current	25A	24A
Solid (AWG/mm <sup>2</sup> )	24~12	0.5~2.5
Flexible (AWG/mm <sup>2</sup> )	24~12	0.5~2.5
Rated impulse voltage	4KV	
Torque (N-m)	0.4~0.5	
Screw	M2.5	
Wire strip length	6~7mm	
Number of Positions		
E2HK508V-XXP	02P, 03P...up to 16P	
EHK508V2L-XXP	04P, 06P...up to 48P	
EHK508V3L-XXP	06P, 09P...up to 72P	

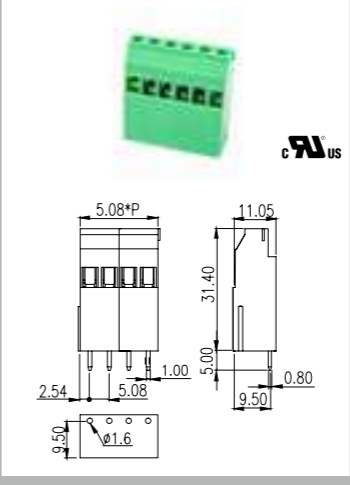
### E2HK508V-XXP



### EHK508V2L-XXP



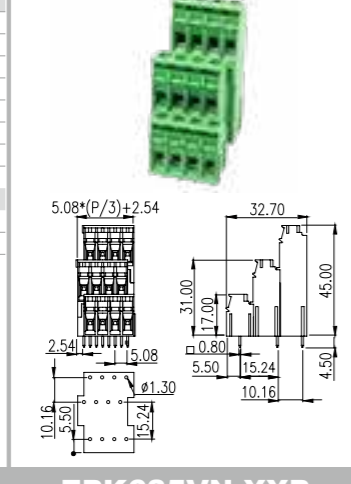
### EHK508V3L-XXP



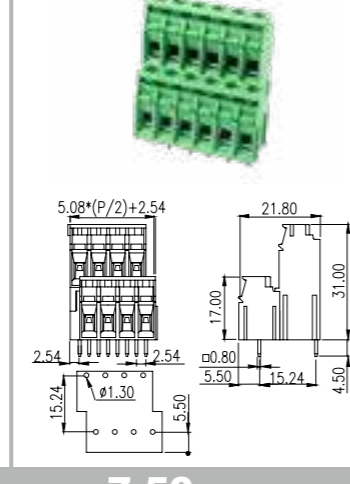
### 5.08mm

Technical Data	UL	IEC
Rated voltage	300V	400V
Rated current	20A	24A
Solid (AWG/mm <sup>2</sup> )	26~12	0.2~2.5
Flexible (AWG/mm <sup>2</sup> )	26~12	0.2~2.5
Rated impulse voltage	4KV	
Torque (N-m)	0.5~0.6	
Screw	M3	
Wire strip length	7~8mm	
Number of Positions		
ESK508V3L-XXP	06~48P	
ESK508V4L-XXP	04~32P	

### ESK508V3L-XXP



### ESK508V4L-XXP



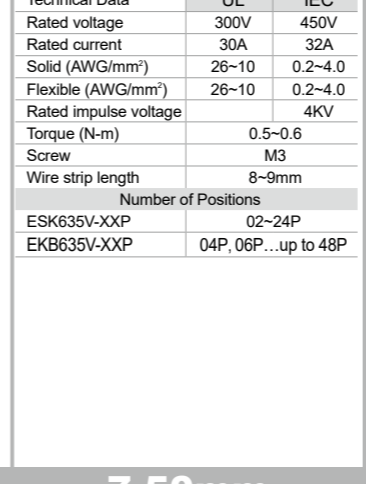
### 6.35mm

Technical Data	UL	IEC
Rated voltage	300V	450V
Rated current	30A	32A
Solid (AWG/mm <sup>2</sup> )	26~10	0.2~4.0
Flexible (AWG/mm <sup>2</sup> )	26~10	0.2~4.0
Rated impulse voltage	4KV	
Torque (N-m)	0.5~0.6	
Screw	M3	
Wire strip length	8~9mm	
Number of Positions		
ESK635V-XXP	02~24P	
EKB635V-XXP	04P, 06P...up to 48P	

### ESK635V-XXP



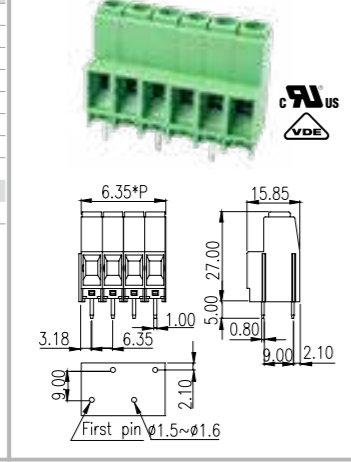
### EKB635V-XXP



### 6.35mm

Technical Data	UL	IEC
Rated voltage	600V	1000V
Rated current	35A	41A
Solid (AWG/mm <sup>2</sup> )	18~8	0.2~6
Flexible (AWG/mm <sup>2</sup> )	18~8	0.2~6
Rated impulse voltage	8KV	
Torque (N-m)	0.5~0.6	
Screw	M3	
Wire strip length	9~10mm	
Number of Positions		
	02~16P	

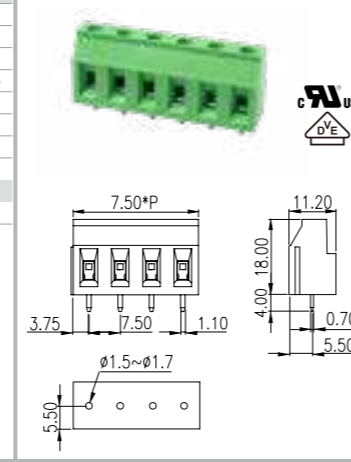
### EPK635VN-XXP



### 7.50mm

Technical Data	UL	IEC
Rated voltage	300V	600V
Rated current	25A	24A
Solid (AWG/mm <sup>2</sup> )	24~12	0.2~4
Flexible (AWG/mm <sup>2</sup> )	24~12	0.2~2.5
Rated impulse voltage	6KV	
Torque (N-m)	0.4~0.5	
Screw	M2.5	
Wire strip length	7~8mm	
Number of Positions		
	02~16P	

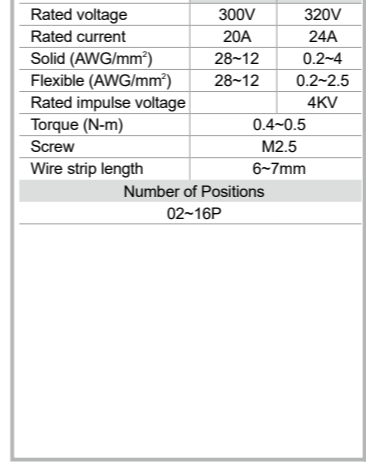
### EHK7V-XXP



### 7.50mm

Technical Data	UL	IEC
Rated voltage	300V	320V
Rated current	20A	24A
Solid (AWG/mm <sup>2</sup> )	28~12	0.2~4
Flexible (AWG/mm <sup>2</sup> )	28~12	0.2~2.5
Rated impulse voltage	4KV	
Torque (N-m)	0.4~0.5	
Screw	M2.5	
Wire strip length	6~7mm	
Number of Positions		
	02~16P	

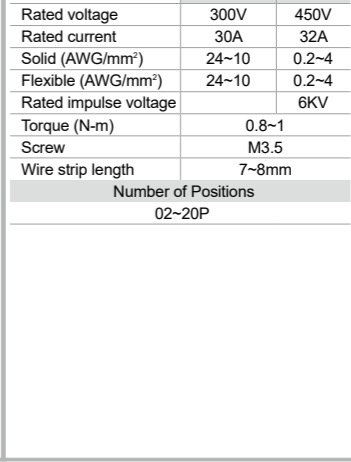
### EK750V-XXP



### 7.50mm

Technical Data	UL	IEC
Rated voltage	300V	450V
Rated current	30A	32A
Solid (AWG/mm <sup>2</sup> )	24~10	0.2~4
Flexible (AWG/mm <sup>2</sup> )	24~10	0.2~4
Rated impulse voltage	6KV	
Torque (N-m)	0.8~1	
Screw	M3.5	
Wire strip length	7~8mm	
Number of Positions		
	02~20P	

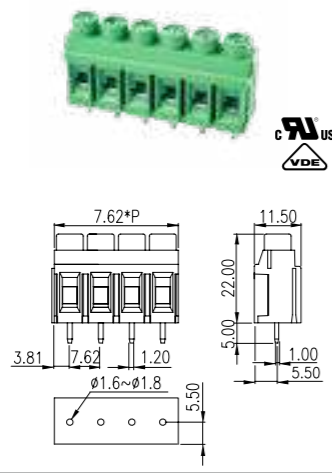
### ESK750V-XXP



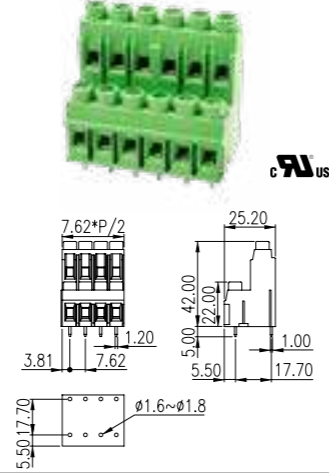
### 7.62mm

Technical Data	UL	IEC
Rated voltage	300V	750V
Rated current	30A	32A
Solid (AWG/mm <sup>2</sup> )	24~10	0.2~4
Flexible (AWG/mm <sup>2</sup> )	24~10	0.2~4
Rated impulse voltage		
ESK762V-XXP		6KV
EKB762V-XXP		4KV
Torque (N-m)	0.8~1	
Screw	M3.5	
Wire strip length	7~8mm	
Number of Positions		
ESK762V-XXP		02~12P
EKB762V-XXP		04P, 06P...32P

### ESK762V-XXP



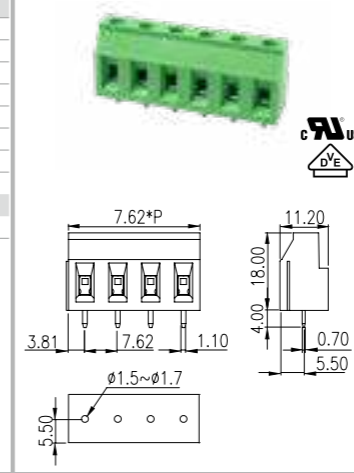
### EKB762V-XXP



### 7.62mm

Technical Data	UL	IEC
Rated voltage	300V	600V
Rated current	25A	24A
Solid (AWG/mm <sup>2</sup> )	24~12	0.2~4
Flexible (AWG/mm <sup>2</sup> )	24~12	0.2~2.5
Rated impulse voltage		6KV
Torque (N-m)	0.4~0.5	
Screw	M2.5	
Wire strip length	6~7mm	

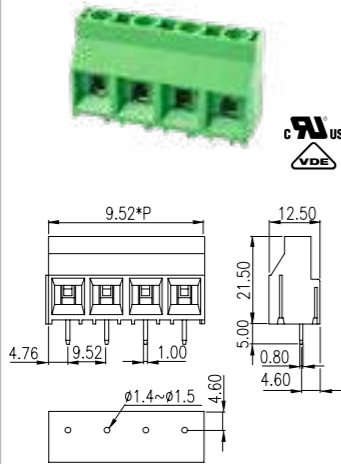
### EHK3V-XXP



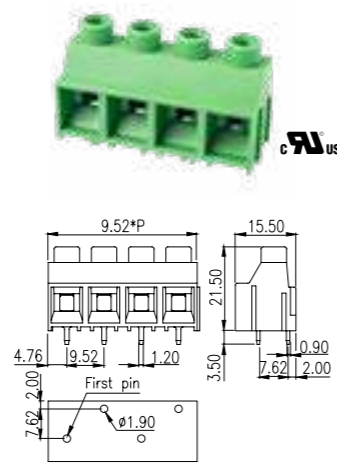
### 9.52mm

Technical Data	UL	IEC
Rated voltage		
EK950V-XXP	300V	1000V
EK950HVN-XXP	600V	1000V
Rated current	30A	32A
Solid (AWG/mm <sup>2</sup> )		
EK950V-XXP	26~10	0.5~4.0
EK950HVN-XXP	26~10	0.2~6
Flexible (AWG/mm <sup>2</sup> )		
EK950V-XXP	26~10	0.5~4.0
EK950HVN-XXP	26~10	0.2~4
Rated impulse voltage		8KV
Torque (N-m)		
EK950V-XXP	0.5~1.0	
EK950HVN-XXP	0.5~0.6	
Screw	M3	
Wire strip length	7~8mm	
Number of Positions		
EK950V-XXP		02~25P
EK950HVN-XXP		02~25P

### EK950V-XXP



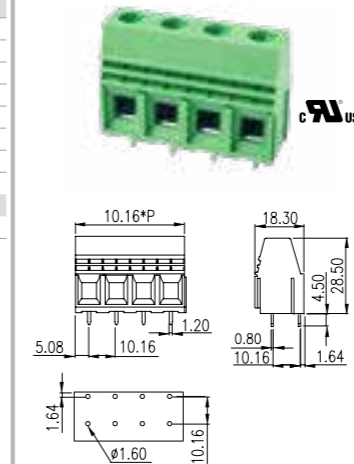
### EK950HVN-XXP



### 10.16mm

Technical Data	UL	IEC
Rated voltage	300V	630V
Rated current	65A	76A
Solid (AWG/mm <sup>2</sup> )	22~6	0.5~16
Flexible (AWG/mm <sup>2</sup> )	22~6	0.5~16
Rated impulse voltage		6KV
Torque (N-m)	1.2~1.5	
Screw	M4	
Wire strip length	13~14mm	

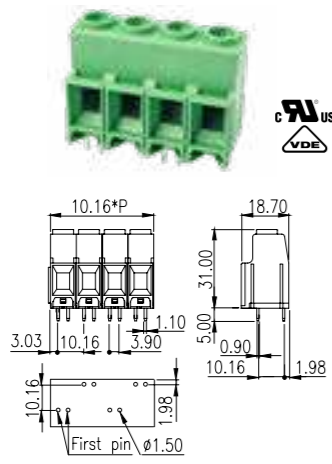
### ESKW116V-XXP



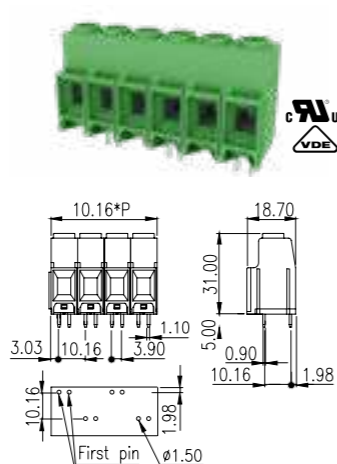
### 10.16mm

Technical Data	UL	IEC
Rated voltage	600V	1000V
Rated current	57A / 65A	76A
Solid (AWG/mm <sup>2</sup> )	20~6	0.5~16
Flexible (AWG/mm <sup>2</sup> )	20~6	0.5~16
Rated impulse voltage		8KV
Torque (N-m)	1.2~1.5	
Screw	M4	
Wire strip length	12~13mm	
Number of Positions		
EPK116VN-XXP		02~16P
EPK116VS-XXP		02~12P

### EPK116VN-XXP



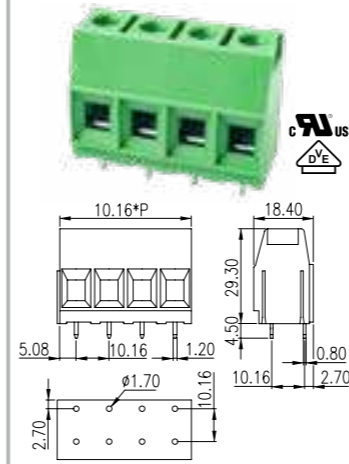
### EPK116VS-XXP



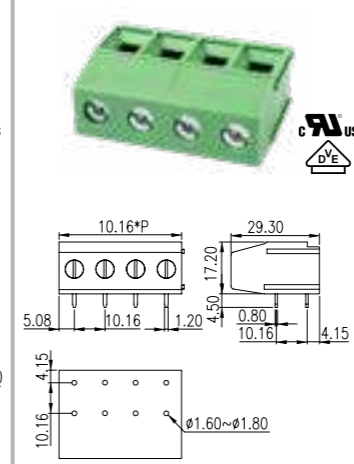
### 10.16mm

Technical Data	UL	IEC
Rated voltage	300V	1000V
Rated current		
ESK116V-XXP	65A	76A
ESK116R-XXPAM	65A	57A
Solid (AWG/mm <sup>2</sup> )		
ESK116V-XXP	20~6	0.5~16
ESK116R-XXPAM	20~6	0.5~10
Flexible (AWG/mm <sup>2</sup> )		
ESK116V-XXP	20~6	0.5~16
ESK116R-XXPAM	20~6	0.5~10
Rated impulse voltage		8KV
Torque (N-m)	1.2~1.5	
Screw	M4	
Wire strip length	10~11mm	
Number of Positions		
		02P, 03P.....

### ESK116V-XXP



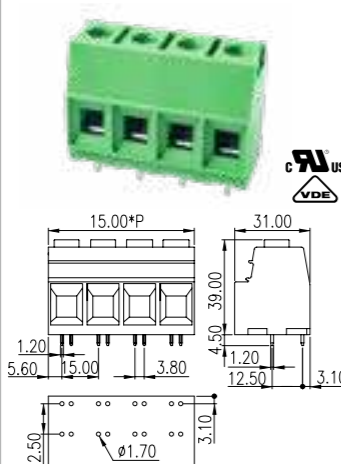
### ESK116R-XXPAM



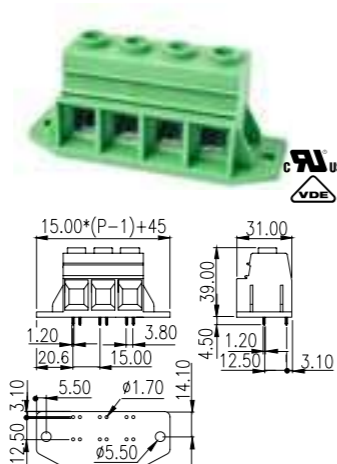
### 15.00mm

Technical Data	UL	IEC
Rated voltage	600V	1000V
Rated current	115A	125A
Solid (AWG/mm <sup>2</sup> )	20~2	0.5~35
Flexible (AWG/mm <sup>2</sup> )	20~2	0.5~35
Rated impulse voltage		8KV
Torque (N-m)	3.8~4.5	
Screw	M5	
Wire strip length	18~19mm	
Number of Positions		
ESK150V-XXP		02~09P
ESK150VM-XXP		01~07P

### ESK150V-XXP



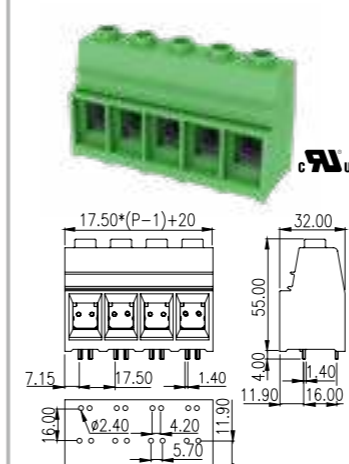
### ESK150VM-XXP



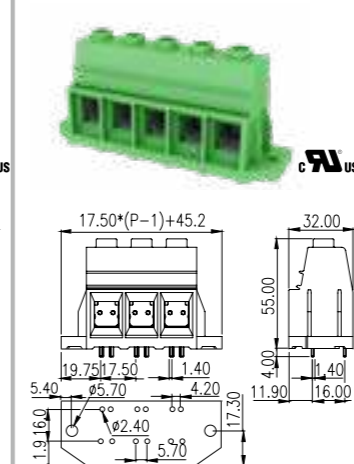
### 17.5mm

Technical Data	UL	IEC
Rated voltage	600V	1000V
Rated current	160A	192A
Solid (AWG/mm <sup>2</sup> )	16~2/0	1.5~70
Flexible (AWG/mm <sup>2</sup> )	16~2/0	1.5~70
Rated impulse voltage		8KV
Torque (N-m)	5~6	
Screw	M6	
Wire strip length	19~21mm	
Number of Positions		
ESK175V-XXP		01~13P
ESK175VM-XXP		01~11P

### ESK175V-XXP



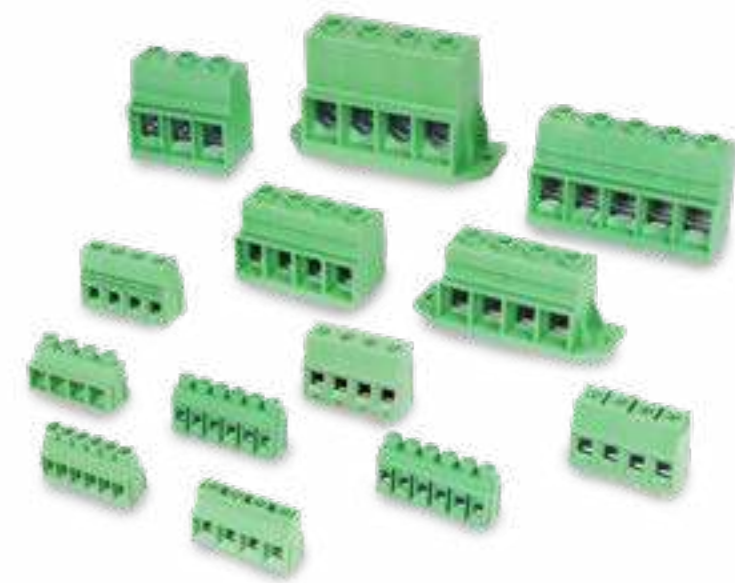
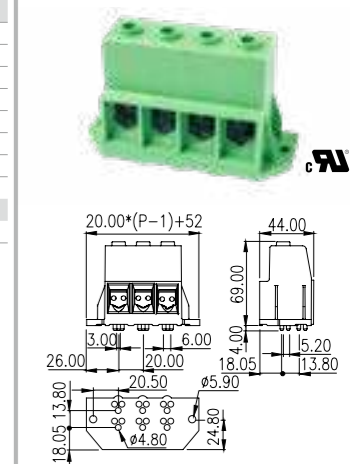
### ESK175VM-XXP



### 20.0mm

Technical Data	UL	IEC
Rated voltage	600V	1000V
Rated current	200A	232A
Solid (AWG/mm <sup>2</sup> )	6~3/0	16~95
Flexible (AWG/mm <sup>2</sup> )	6~3/0	25~95
Rated impulse voltage		8KV
Torque (N-m)	10~12	
Screw	M8	
Wire strip length	25~26mm	
Number of Positions		
		01~06P

### ESK200VM-XXP



ESK series transfers signals, data and power to printed circuit boards simply and securely. It is suitable for applications in many fields in various industries, such as frequency converters, servo drives, PLCs, inverters and other equipments. It can also be used in industrial Internet of Things applications.

The product range with pitches from 2.54mm to 20 mm is available in metric and inch pitches. The low-loss conductive structure design makes the load temperature rise lower. It can provide high-efficiency output while having excellent conductive properties and also an excellent choice for small to high power Electronic device for a wide range of applications.

- Compact dimension, easy connection, wide application
- Easy to integrate into panels of the devices for simple operations
- Multi-row layout enables high-density PCB connections

The pitches above 6.35mm are applied in greater power demand and provides reliable driving and control forces, allowing users to have excellent actuating and control capabilities in high-power equipment.

# Front Entry Screw Connection Terminal Blocks



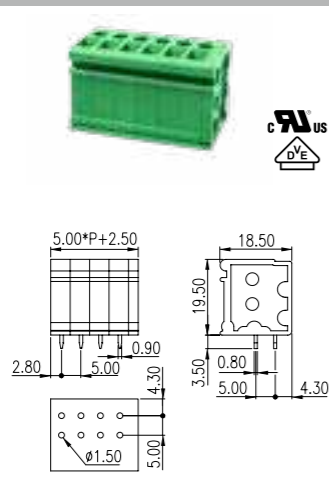
**Connection method: Screw connection**  
**Pitch: 5.00mm / 6.35mm / 7.50mm / 7.62mm / 10.00mm**  
**UL: 300V / 20A ~ 300V / 65A**  
**IEC Rated: 300V / 24A ~ 1000V / 24A**

- 2 pins on each pole for excellent stability on PCB
- Versions with horizontal and vertical wire entry direction to the PCB
- High current capacity up to 30A for 7.62mm pitch products

## 5.00mm

### DT-123VA-XXP

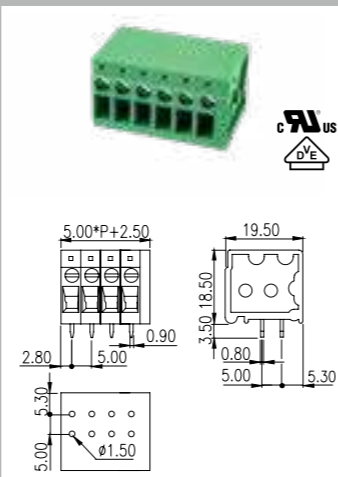
Technical Data	UL	IEC
Rated voltage	300V	300V
Rated current	20A / 26A	24A
Solid (AWG/mm <sup>2</sup> )	22~12	0.5~2.5
Flexible (AWG/mm <sup>2</sup> )	22~12	0.5~2.5
Rated impulse voltage		4KV
Torque (N-m)	0.4~0.5	
Screw	M2.5	
Wire strip length	13~14mm	



## 5.00mm

### DT-123RA-XXP

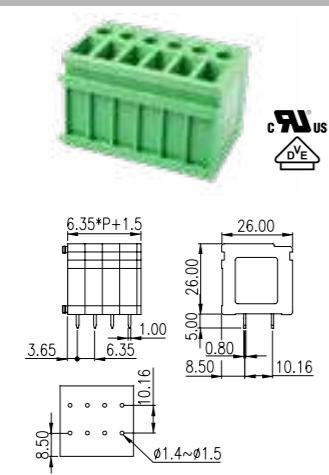
Technical Data	UL	IEC
Rated voltage	300V	320V
Rated current	20A / 26A	32A
Solid (AWG/mm <sup>2</sup> )	22~12	0.5~4
Flexible (AWG/mm <sup>2</sup> )	22~12	0.5~4
Rated impulse voltage		4KV
Torque (N-m)	0.4~0.5	
Screw	M2.5	
Wire strip length	13~14mm	



## 6.35mm

### DT-2301-XXP

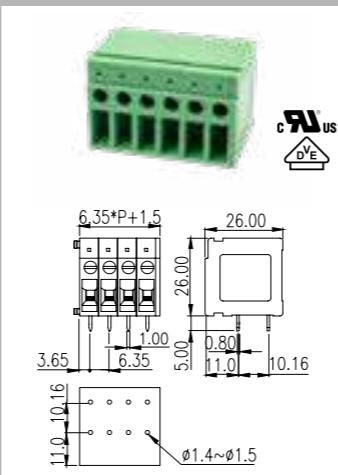
Technical Data	UL	IEC
Rated voltage	300V	320V
Rated current	30A	32A
Solid (AWG/mm <sup>2</sup> )	22~10	0.5~6
Flexible (AWG/mm <sup>2</sup> )	22~10	0.5~6
Rated impulse voltage		4KV
Torque (N-m)	0.5~0.6	
Screw	M3	
Wire strip length	13~14mm	



## 6.35mm

### DT-2300-XXP

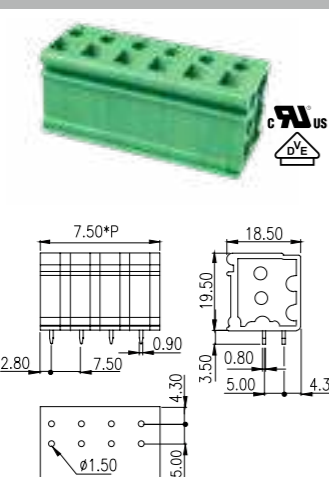
Technical Data	UL	IEC
Rated voltage	300V	320V
Rated current	30A	32A
Solid (AWG/mm <sup>2</sup> )	22~10	0.5~6
Flexible (AWG/mm <sup>2</sup> )	22~10	0.5~6
Rated impulse voltage		4KV
Torque (N-m)	0.5~0.6	
Screw	M3	
Wire strip length	13~14mm	



## 7.50mm

### DT-123VA-XXP3

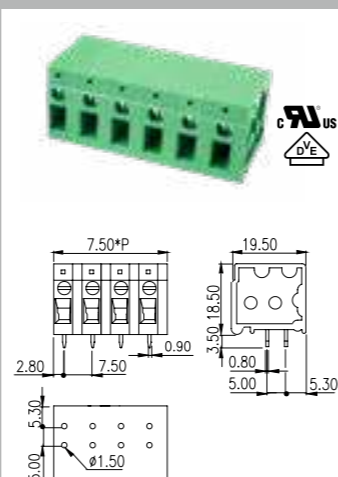
Technical Data	UL	IEC
Rated voltage	300V	630V
Rated current	20A / 26A	24A
Solid (AWG/mm <sup>2</sup> )	22~12	0.5~2.5
Flexible (AWG/mm <sup>2</sup> )	22~12	0.5~2.5
Rated impulse voltage		6KV
Torque (N-m)	0.5	
Screw	M2.5	
Wire strip length	13~14mm	



## 7.50mm

### DT-123RA-XXP3

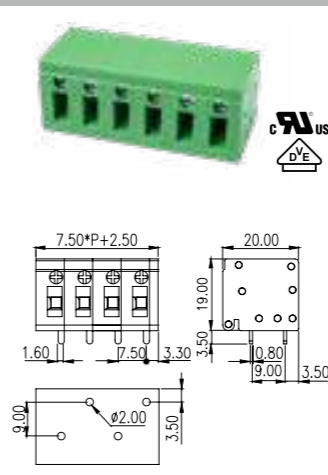
Technical Data	UL	IEC
Rated voltage	300V	500V
Rated current	20A / 26A	32A
Solid (AWG/mm <sup>2</sup> )	22~12	0.5~4
Flexible (AWG/mm <sup>2</sup> )	22~12	0.5~4
Rated impulse voltage		6KV
Torque (N-m)	0.5	
Screw	M2.5	
Wire strip length	13~14mm	



## 7.50mm

### DT-123HVR-XXP

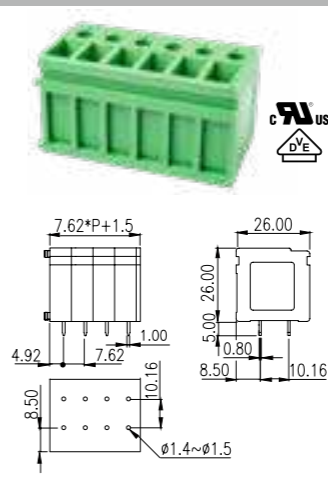
Technical Data	UL	IEC
Rated voltage	600V	1000V
Rated current	20A	24A
Solid (AWG/mm <sup>2</sup> )	22~12	0.5~4
Flexible (AWG/mm <sup>2</sup> )	22~12	0.5~4
Rated impulse voltage		8KV
Torque (N-m)	0.4~0.5	
Screw	M2.5	
Wire strip length	13~14mm	



## 7.62mm

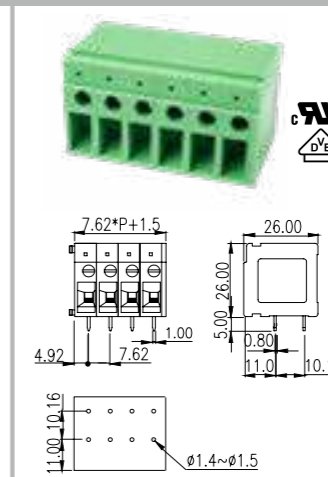
### DT-2321-XXP

Technical Data	UL	IEC
Rated voltage	300V	630V
Rated current	30A	32A
Solid (AWG/mm <sup>2</sup> )	22~10	0.5~6
Flexible (AWG/mm <sup>2</sup> )	22~10	0.5~4
Rated impulse voltage		6KV
Torque (N-m)	0.5~0.6	
Screw	M3	
Wire strip length	13~14mm	



### DT-2320-XXP

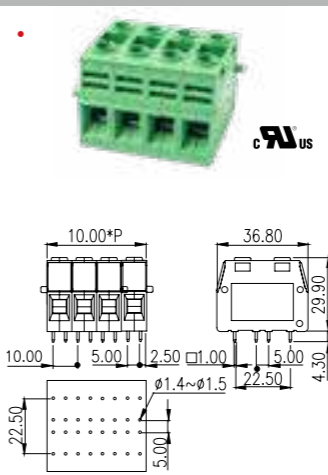
Technical Data	UL	IEC
Rated voltage	300V	630V
Rated current	30A	32A
Solid (AWG/mm <sup>2</sup> )	22~10	0.5~6
Flexible (AWG/mm <sup>2</sup> )	22~10	0.5~4
Rated impulse voltage		6KV
Torque (N-m)	0.5~0.6	
Screw	M3	
Wire strip length	13~14mm	



## 10.00mm

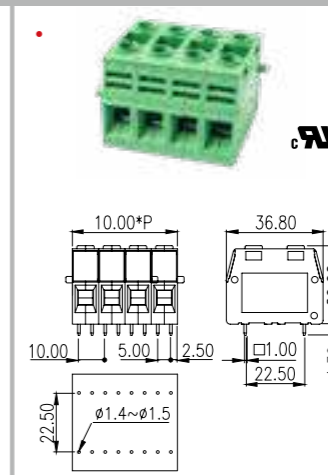
### PDS-10-XX

Technical Data	UL	IEC
Rated voltage	300V	630V
Rated current	65A	57A
Solid (AWG/mm <sup>2</sup> )	24~6	0.5~10
Flexible (AWG/mm <sup>2</sup> )	24~6	0.5~10
Rated impulse voltage		4KV
Torque (N-m)	1.2~1.5	
Screw	M4	
Wire strip length	12~13mm	
Marking label	TM28	



### PDS-10S-XX

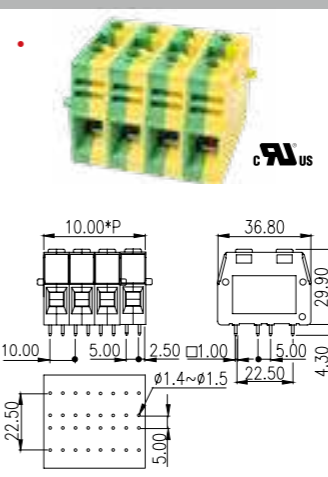
Technical Data	UL	IEC
Rated voltage	300V	630V
Rated current	65A	57A
Solid (AWG/mm <sup>2</sup> )	24~6	0.5~10
Flexible (AWG/mm <sup>2</sup> )	24~6	0.5~10
Rated impulse voltage		4KV
Torque (N-m)	1.2~1.5	
Screw	M4	
Wire strip length	12~13mm	
Marking label	TM28	



## 10.00mm

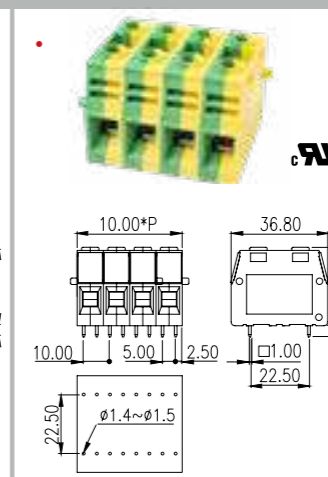
### PDS-10A-XX

Technical Data	UL	IEC
Rated voltage	300V	630V
Rated current	65A	57A
Solid (AWG/mm <sup>2</sup> )	24~6	0.5~10
Flexible (AWG/mm <sup>2</sup> )	24~6	0.5~10
Rated impulse voltage		4KV
Torque (N-m)	1.2~1.5	
Screw	M4	
Wire strip length	12~13mm	
Marking label	TM28	



### PDS-10AS-XX

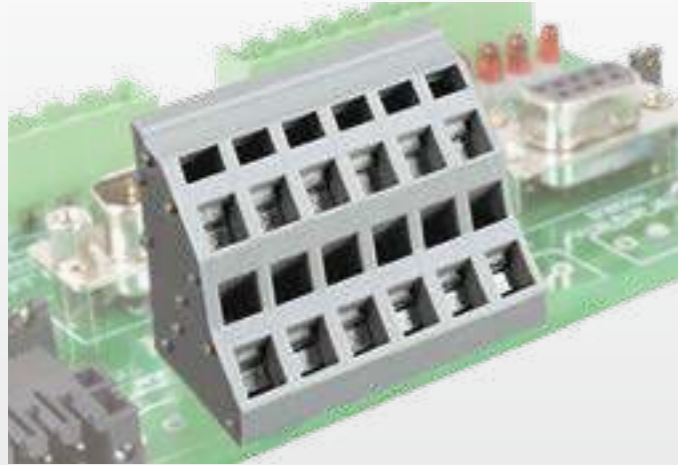
Technical Data	UL	IEC
Rated voltage	300V	630V
Rated current	65A	57A
Solid (AWG/mm <sup>2</sup> )	24~6	0.5~10
Flexible (AWG/mm <sup>2</sup> )	24~6	0.5~10
Rated impulse voltage		4KV
Torque (N-m)	1.2~1.5	
Screw	M4	
Wire strip length	12~13mm	
Marking label	TM28	



• Made to order

• Made to order

# Spring Clamp Connection PCB Terminal Blocks



Connection method: Spring clamp connection  
 Pitch: 2.50mm / 5.00mm / 5.08mm / 7.50mm / 10mm  
 UL Rated: 300V/4A~ 300V/57A  
 IEC Rated: 130V/6A~ 450V/76A

- Versions with single, double, triple and four-level PCB terminal blocks
- Colored marking of individual pole is available by request

2.50mm		WKA250A-XXP		WKV250A-XXP		2.54mm		WKA254A-XXP		WKV254A-XXP	
Technical Data	UL	IEC				Technical Data	UL	IEC			
Rated voltage	300V	130V				Rated voltage	300V	130V			
Rated current	4A	6A				Rated current	4A	6A			
Solid (AWG/mm²)	28~20	0.5				Solid (AWG/mm²)	28~20	0.5			
Flexible (AWG/mm²)	28~20	0.5				Flexible (AWG/mm²)	28~20	0.5			
Rated impulse voltage		2.5KV				Rated impulse voltage		2.5KV			
Wire strip length	5~6mm					Wire strip length	5~6mm				
Number of Positions						Number of Positions					
WKA250A-XXP			02P, 03P, 04P.....			WKA254A-XXP			02P, 03P, 04P.....		
WKV250A-XXP			02P, 03P, 04P.....			WKV254A-XXP			02P, 03P, 04P.....		
• Made to order						• Made to order					

5.00mm		WKA500-XXP		5.00mm		WKK500-XXP		W3K500-XXP		W4K500-XXP	
Technical Data	UL	IEC				Technical Data	UL	IEC			
Rated voltage	300V	450V				Rated voltage	300V	450V			
Rated current	15A	24A				Rated current	10A	24A			
Solid (AWG/mm²)	28~12	0.5~2.5				Solid (AWG/mm²)	28~12	0.5~2.5			
Flexible (AWG/mm²)	28~12	0.5~2.5				Flexible (AWG/mm²)	28~12	0.5~2.5			
Rated impulse voltage		4KV				Rated impulse voltage		4KV			
Wire strip length	5~6mm					Wire strip length	6~7mm				
Number of Positions						Number of Positions					
WKA500-XXP			02P, 03P, 04P.....			WKK500-XXP			04P, 06P, 08P.....		
						W3K500-XXP			06P, 09P, 12P.....		
						W4K500-XXP			08P, 12P, 16P.....		

5.00mm		WKA500-XXPL		5.08mm		WKA508-XXP		5.08mm		WKK508-XXP		W3K508-XXP		W4K508-XXP	
Technical Data	UL	IEC				Technical Data	UL	IEC			Technical Data	UL	IEC		
Rated voltage	300V	320V				Rated voltage	300V	450V			Rated voltage	300V	450V		
Rated current	15A	24A				Rated current	15A	24A			Rated current	10A	24A		
Solid (AWG/mm²)	28~12	0.2~2.5				Solid (AWG/mm²)	28~12	0.5~2.5			Solid (AWG/mm²)	28~12	0.5~2.5		
Flexible (AWG/mm²)	28~12	0.2~2.5				Flexible (AWG/mm²)	28~12	0.5~2.5			Flexible (AWG/mm²)	28~12	0.5~2.5		
Rated impulse voltage		4KV				Rated impulse voltage		4KV			Rated impulse voltage		4KV		
Wire strip length	5~6mm					Wire strip length	5~6mm				Wire strip length	6~7mm			
Number of Positions						Number of Positions					Number of Positions				
02~12P						02P, 03P, 04P.....					04P, 06P, 08P.....				
											06P, 09P, 12P.....				
											08P, 12P, 16P.....				

5.00mm		WKA50B-XXP		5.00mm		WSKA500S-XXP		7.50mm		WSKA750S-XXP		10.00mm		WSKA100-XXP	
Technical Data	UL	IEC				Technical Data	UL	IEC			Technical Data	UL	IEC		
Rated voltage	300V	320V				Rated voltage	300V	250V			Rated voltage	300V	450V		
Rated current	10A	17.5A				Rated current	10A	24A			Rated current	57A	76A		
Solid (AWG/mm²)	24~16	0.2~1.5				Solid (AWG/mm²)	26~10	0.5~6			Solid (AWG/mm²)	24~6	0.5~16		
Flexible (AWG/mm²)	24~16	0.2~1.5				Flexible (AWG/mm²)	26~10	0.5~6			Flexible (AWG/mm²)	24~6	0.5~16		
Rated impulse voltage		4KV				Rated impulse voltage		6KV			Rated impulse voltage		4KV		
Wire strip length	9~10mm					Wire strip length	10~11mm				Wire strip length	14~15mm			
Number of Positions						Number of Positions					Number of Positions				
02P, 03P.....						02P, 03P.....					02~12P				

# Screw connection Inverted Headers



Connection method: screw connection / inverted plugs

Pitch: 3.50mm / 3.81mm / 5.08mm / 7.62mm / 10.16mm  
 UL Rated: 300V / 8A~300V / 51A  
 IEC Rated: 320V / 8A ~ 1000V / 76A

Inverted connectors and its mating parts provide PCB-to-PCB and wire-to-wire connections. It is ideal for applications that require power to be drawn from the PCB. To enhance the insertion and extraction force of the connector, it is equipped with screw flanges, which can be securely locked to the connector. Screw flanges can also be used as panel feedthroughs on the header side, providing additional stability within the unit. These connectors have been certified by UL1059

3.50mm		EC350CV-XXP	EC350CR-XXP	Socket	
Technical Data	UL	IEC			<b>ECH350V-XXP</b>   P57
Rated voltage	300V	320V			<b>ECH350R-XXP</b>   P57
Rated current	8A	8A	Please refer to the related page number for the compatible headers.		
Rated impulse voltage		2.5KV			
Number of Positions	02~16P				

5.08mm		2ESDCV-XXP	2ESDCR-XXP	Socket	
Technical Data	UL	IEC			<b>2EHDV-XXP</b>   P64
Rated voltage	300V	630V			<b>2EHDVC-XXP</b>   P64
Rated current	15A/12A	12A	Please refer to the related page number for the compatible headers.		
Rated impulse voltage		4KV			
Number of Positions	02~24P				

5.08mm		2ESDCVM-XXP	2ESDCRM-XXP	Socket	
Technical Data	UL	IEC			<b>2ESHM-XXP</b>   P98
Rated voltage	300V	320V			Please refer to the related page number for the compatible headers.
Rated current	15A	12A			
Rated impulse voltage		2.5KV			
Number of Positions	02~12P				

3.81mm		EC381CV-XXP	EC381CR-XXP	Socket	
Technical Data	UL	IEC			<b>ECH381V-XXP</b>   P59
Rated voltage	300V	320V			<b>ECH381R-XXP</b>   P59
Rated current	8A	12A	Please refer to the related page number for the compatible headers.		
Rated impulse voltage		2.5KV			
Number of Positions	02~16P				

3.81mm		ECSH381V-XXP	ECSH381VM-XXP	Plug	
Technical Data	UL	IEC			<b>For ECSH381V-XXP</b>
Rated voltage	300V	320V			<b>EC381CV-XXP</b>   P98
Rated current	8A	12A	<b>EC381CR-XXP</b>   P98		
Solid (AWG/mm <sup>2</sup> )	30~14	0.2~1.5	<b>EC381V-XXP</b>   P39		
Flexible (AWG/mm <sup>2</sup> )	30~14	0.2~1.5	<b>EC381R-XXP</b>   P39		
Rated impulse voltage		2.5KV	<b>EC381RL-XXP</b>   P39		
Torque (N-m)		0.2	<b>EC381F-XXP</b>   P40		
Screw		M2	<b>For ECSH381VM-XXP</b>		
Wire strip length		6~7mm	<b>EC381VM-XXP</b>   P39		
Number of Positions	02~24P				
Accessories	<b>EC381RM-XXP</b>   P59				
EHDK1	Please refer to the related page number for the compatible headers.				

5.08mm		ECSH381MK-XXP	ECSH381K-XXP	Plug	
Technical Data	UL	IEC			<b>For 2ESH-XXP</b>
Rated voltage	300V	320V			<b>2ESDCV-XXP</b>   P97
Rated current	8A	12A	<b>2ESDCR-XXP</b>   P97		
Solid (AWG/mm <sup>2</sup> )	30~14	0.2~1.5	<b>For 2ESHM-XXP</b>		
Flexible (AWG/mm <sup>2</sup> )	30~14	0.2~1.5	<b>2ESDCVM-XXP</b>   P97		
Rated impulse voltage		2.5KV	<b>2ESDCRM-XXP</b>   P97		
Torque (N-m)		0.2	Please refer to the related page number for the compatible headers.		
Screw		M2			
Wire strip length		6~7mm			
Number of Positions	02~22P				
Accessories	02~24P				
EHDK1	P54				


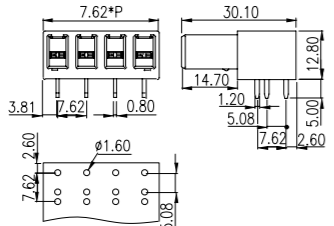
5.08mm		2ESH-XXP	2ESHM-XXP	Plug	
Technical Data	UL	IEC			<b>For 2ESH-XXP</b>
Rated voltage	300V	320V			<b>2ESDCV-XXP</b>   P97
Rated current	15A	12A	<b>2ESDCR-XXP</b>   P97		
Solid (AWG/mm <sup>2</sup> )	24~12	0.2~2.5	<b>For 2ESHM-XXP</b>		
Flexible (AWG/mm <sup>2</sup> )	24~12	0.2~2.5	<b>2ESDCVM-XXP</b>   P97		
Rated impulse voltage		2.5KV	<b>2ESDCRM-XXP</b>   P97		
Torque (N-m)		0.6	Please refer to the related page number for the compatible headers.		
Screw		M2.5			
Wire strip length		7mm			
Number of Positions	02~12P				
Accessories	P54				
EHDK1	P54				



**7.62mm EC762CR-XXP**

Technical Data	UL	IEC
Rated voltage	300V	1000V
Rated current	41A	41A
Rated impulse voltage		6KV


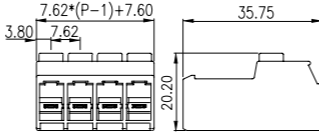
Number of Positions: 02~12P  
Accessories: ECHK2, P54


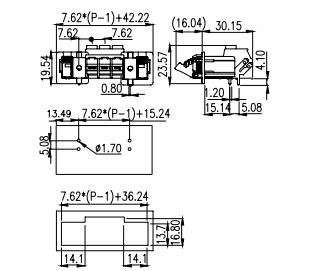
**7.62mm ECSH762V-XXP**

Technical Data	UL	IEC
Rated voltage	600V	1000V
Rated current	41A	41A
Solid (AWG/mm <sup>2</sup> )	30~8	0.2~6
Flexible (AWG/mm <sup>2</sup> )	30~8	0.2~6
Rated impulse voltage		8KV
Torque (N·m)	0.5~0.6	
Screw	M3	
Wire strip length	10~11mm	


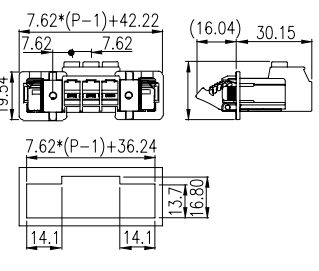
Number of Positions: 02~12P  
Accessories: ECHK2, P54


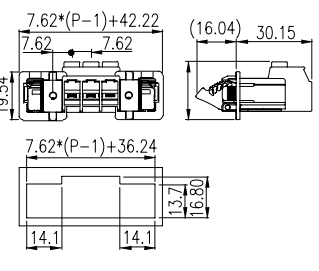
**7.62mm ECSH762SS-XXP**


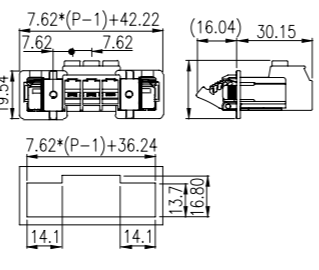
**7.62mm ECSH762FS-XXP**

**7.62mm ECSH762FS-XXP**


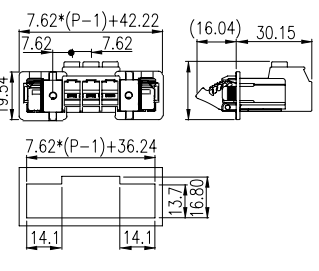
**7.62mm ECSH762FS-XXP**

**7.62mm ECSH762FS-XXP**




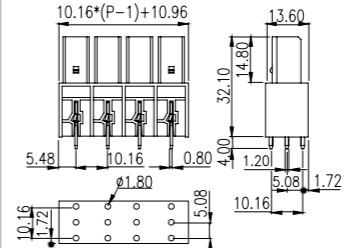

**7.62mm ECSH762FS-XXP**

**10.16mm EC116CV-XXP**

Technical Data	UL	IEC
Rated voltage	300V	1000V
Rated current	51A	76A
Rated impulse voltage		8KV

Number of Positions: 02~10P  
Accessories: ECHK2, P54


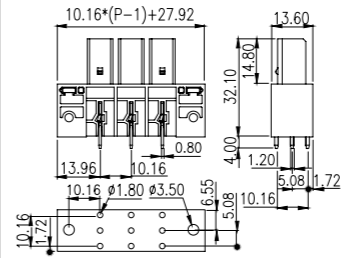



**Socket**

ECH116V-XXP	P54
ECH116R-XXP	P54
ECH116L-XXP	P54
ECH116HVS-XXP	P54
ECH116HRS-XXP	P54

Please refer to the related page number for the compatible headers.

**10.16mm EC116CVM-XXP**

**Socket**


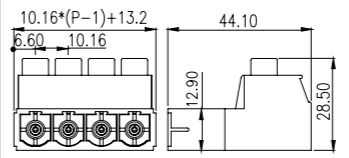
ECSH116VM-XXP	P100
---------------	------

Please refer to the related page number for the compatible headers.

**10.16mm ECSH116V-XXP**

Technical Data	UL	IEC
Rated voltage	600V	1000V
Rated current	51A	76A
Solid (AWG/mm <sup>2</sup> )	16~6	0.5~16
Flexible (AWG/mm <sup>2</sup> )	16~6	0.5~16
Rated impulse voltage		8KV
Torque (N·m)	1.2	
Screw	M4	
Wire strip length	14~15mm	


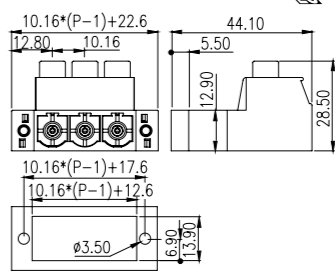
Number of Positions: 02~10P  
Accessories: ECHK2, P54

**Plug**

EC116V-XXP	P54
EC116CV-XXP	P100


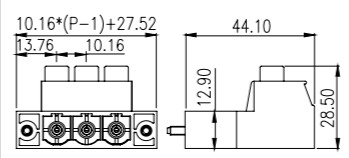
Please refer to the related page number for the compatible headers.

**10.16mm ECSH116VM-XXP**

Technical Data	UL	IEC
Rated voltage	600V	1000V
Rated current	51A	76A
Solid (AWG/mm <sup>2</sup> )	16~6	0.5~16
Flexible (AWG/mm <sup>2</sup> )	16~6	0.5~16
Rated impulse voltage		8KV
Torque (N·m)	1.2	
Screw	M4	
Wire strip length	14~15mm	

Number of Positions: 02~10P  
Accessories: ECHK2, P54

**Plug**

EC116CVM-XXP	P100
--------------	------

Please refer to the related page number for the compatible headers.

# Wire-to-Wire Connection





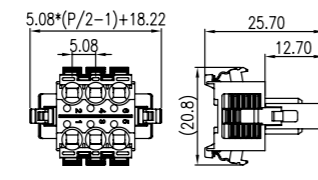
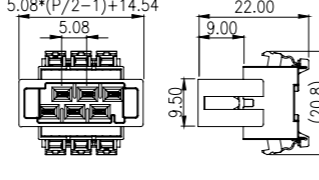


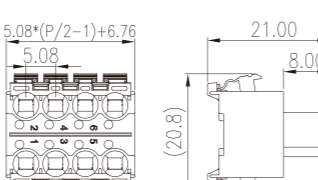
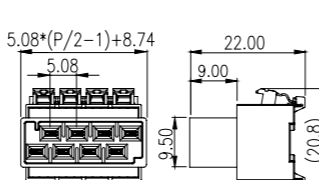








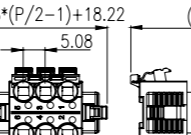






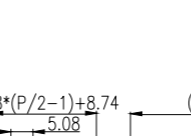












Connection method:  
screw connection /  
PID Plug & Sockets


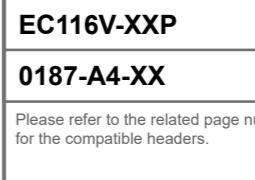
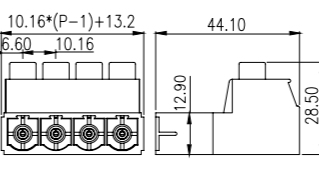

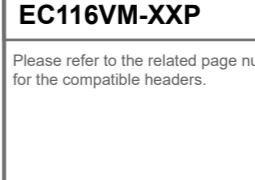

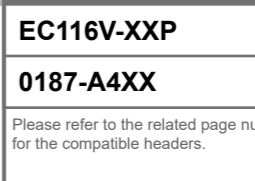

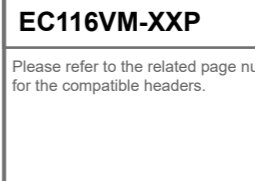
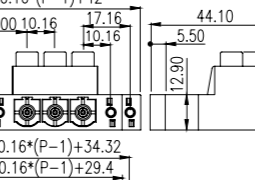

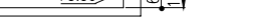





Pitch:  
5.08mm / 10.16mm  
UL Rated:  
300V / 8A~600V / 51A  
IEC Rated:  
320V / 14A~1000V / 76A

This series of connectors is to connect two or more wires to each other safely and reliably.

In an industrial environment, make two wires be securely connected and easily disconnected. No need to remove and install the wires one by one to achieve the wire connections.

Full range Connectors provide highly reliable and safe industrial wiring solutions and save operating time.

5.08mm			0229-F5XXY		0229-A5XXY	
Technical Data	UL	IEC				
Rated voltage	300V	300V				
Rated current						
Rated current	51A	76A				
0229-F5XXY	12A	14A				
0229-F9XXY						
0229-A5XXY						
0229-A9XXY						
0229-M5XXY						
0229-M9XXY						
Solid (AWG/mm <sup>2</sup> )	28~16	0.2~1.5				
Flexible (AWG/mm <sup>2</sup> )	28~16	0.2~1.5				
Rated impulse voltage	4KV					
Wire strip length	8~9mm					
Number of Positions						
0229-M5XXY						
0229-M9XXY	04~16P					
0229-A5XXY						
0229-A9XXY						
0229-F5XXY	04~40P					
0229-F9XXY						
0229-F9XXY						
0229-A9XXY						
0229-M5XXY						
0229-A5XXY						
0229-M5XXY			with test holes			
0229-M9XXY						
0229-A9XXY						
0229-F9XXY						
0229-M9XXY			with test holes			
0229-A9XXY						
0229-F9XXY						
0229-M9XXY						
0229-A9XXY						
0229-F9XXY						
0229-M9XXY						
0229-A9XXY						
0229-F9XXY						

10.16mm			ECSH116V-XXP		Plug	
Technical Data	UL	IEC				
Rated voltage	600V	1000V			P54	
Rated current	51A	76A			P106	
Rated impulse voltage	8KV					
Torque(N-m)	1.2					
Screw	M4					
Wire strip length	14~15mm					
Number of Positions						
02~10P						
Accessories						
ECHK2	P54					
ECSH116M-XXP						
ECSH116K-XXP						
ECSH116MK-XXP						
ECSH116V-XXP						
ECSH116M-XXP						
ECSH116K-XXP						
ECSH116MK-XXP						

# I/O PCB Connectors

I/O (input/output) connector is an electrical connector which is between frequently plugged/unplugged cables and their applications to secure electrical contacts and to provide high-speed data transmission.

These connectors are typically used in products that require data transfer or internet connectivity which needs to convey signals between devices like PLC or other controllers.

0161, 0181 and 0187 series products can provide serial communication solutions, in the communication protocol applications such as Profibus, CANbus and Modbus 485, the communication signals are transmitted between the master station and the slave stations via the connector's connections.

With Dinkle wide range of PCB sockets, 0161, 0181 and 0187 series can mate with 3.5mm, 5.0mm and 10.16mm pitch socket to carry out the applications of PCB-to-Wire and Wire-to-Wire solutions.



3.50mm		0181-A1XX	Socket	
Technical Data	UL	IEC	ECH350RM-XXP	P57
Rated voltage	300V	320V	ECH350RM-XXPL	P57
Rated current	8A	8A	ECH350VM-XXP	P57
Solid (AWG/mm <sup>2</sup> )	24~16	0.2~1.5	ECH350VM-XXPL	P57
Flexible (AWG/mm <sup>2</sup> )	24~16	0.2~1.5	ECH350RRM-XXP	P57
Rated impulse voltage		2.5KV	ECH350RRM-XXPL	P57
Wire strip length		9~10mm	Please refer to the related page number for the compatible headers.	
Number of Positions				
02~24P				
3.50mm		0181-A3XX	Socket	
Technical Data	UL	IEC	ECH350H-XXP	P58
Rated voltage	300V	320V	ECH350R-XXP	P57
Rated current	8A	8A	ECH350R-XXPL	P57
Solid (AWG/mm <sup>2</sup> )	24~16	0.2~1.5	ECH350V-XXP	P57
Flexible (AWG/mm <sup>2</sup> )	24~16	0.2~1.5	ECH350V-XXPL	P57
Rated impulse voltage		2.5KV	ECH350RR-XXP	P57
Wire strip length		9~10mm	ECH350RR-XXPL	P57
Number of Positions			Please refer to the related page number for the compatible headers.	
02~24P				
5.08mm		2ESDVB-XXP	Socket	
Technical Data	UL	IEC	2EHDVC-XXP	P64
Rated voltage	300V	630V	2EHDVC-XXPL	P64
Rated current	15A	18A	2EHDR-XXP	P64
Solid (AWG/mm <sup>2</sup> )	28~12	0.2~4	2EHDR-XXPL	P64
Flexible (AWG/mm <sup>2</sup> )	30~12	0.2~2.5	2EHDRC-XXP	P64
Rated impulse voltage		4KV	2EHDRC-XXPL	P64
Torque (N-m)		0.5~0.6	2EHDAC-XXP	P63
Screw		M2.5	Please refer to the related page number for the compatible headers.	
Wire strip length		7~8mm		
Number of Positions				
02~12P				
5.08mm		2ESDVBM-XXP	Socket	
Technical Data	UL	IEC	2EHDVM-XXP	P64
Rated voltage	300V	630V	2EHDVM-XXPL	P64
Rated current	15A	18A	2EHDRM-XXP	P64
Solid (AWG/mm <sup>2</sup> )	28~12	0.2~4	2EHDRM-XXPL	P64
Flexible (AWG/mm <sup>2</sup> )	30~12	0.2~2.5	2EHDP-XXP	P69
Rated impulse voltage		4KV	Please refer to the related page number for the compatible headers.	
Torque (N-m)		0.5~0.6		
Screw		M2.5		
Wire strip length		7~8mm		
Number of Positions				
02~12P				

5.00mm		0161-01XX	0161-11XX	Socket																																							
<table border="1"> <tr><td>Technical Data</td><td>UL</td><td>IEC</td></tr> <tr><td>Rated voltage</td><td>300V</td><td>630V</td></tr> <tr><td>Rated current</td><td>15A</td><td>18A</td></tr> <tr><td>Solid (AWG/mm<sup>2</sup>)</td><td>26~12</td><td>0.2~2.5</td></tr> <tr><td>Flexible (AWG/mm<sup>2</sup>)</td><td>26~12</td><td>0.2~2.5</td></tr> <tr><td>Rated impulse voltage</td><td colspan="2">4KV</td></tr> <tr><td>Wire strip length</td><td colspan="2">12~13mm</td></tr> <tr><td>Number of Positions</td><td colspan="2">02~24P</td></tr> <tr><td>Accessories</td><td colspan="2">P16</td></tr> <tr><td>0227K1</td><td colspan="2">P16</td></tr> </table>	Technical Data	UL	IEC	Rated voltage	300V	630V	Rated current	15A	18A	Solid (AWG/mm <sup>2</sup> )	26~12	0.2~2.5	Flexible (AWG/mm <sup>2</sup> )	26~12	0.2~2.5	Rated impulse voltage	4KV		Wire strip length	12~13mm		Number of Positions	02~24P		Accessories	P16		0227K1	P16				<table border="1"> <tr><td>0227-16XX</td><td>P16</td></tr> <tr><td>0227-16XXL</td><td>P16</td></tr> <tr><td>0227-17XX</td><td>P16</td></tr> <tr><td>0227-17XXL</td><td>P16</td></tr> </table> <p>Please refer to the related page number for the compatible headers.</p>	0227-16XX	P16	0227-16XXL	P16	0227-17XX	P16	0227-17XXL	P16		
Technical Data	UL	IEC																																									
Rated voltage	300V	630V																																									
Rated current	15A	18A																																									
Solid (AWG/mm <sup>2</sup> )	26~12	0.2~2.5																																									
Flexible (AWG/mm <sup>2</sup> )	26~12	0.2~2.5																																									
Rated impulse voltage	4KV																																										
Wire strip length	12~13mm																																										
Number of Positions	02~24P																																										
Accessories	P16																																										
0227K1	P16																																										
0227-16XX	P16																																										
0227-16XXL	P16																																										
0227-17XX	P16																																										
0227-17XXL	P16																																										
			<table border="1"> <tr><td>0227-26XX</td><td>P16</td></tr> <tr><td>0227-26XXL</td><td>P16</td></tr> <tr><td>0227-27XX</td><td>P16</td></tr> <tr><td>0227-27XXL</td><td>P16</td></tr> </table> <p>Please refer to the related page number for the compatible headers.</p>		0227-26XX	P16	0227-26XXL	P16	0227-27XX	P16	0227-27XXL	P16																															
0227-26XX	P16																																										
0227-26XXL	P16																																										
0227-27XX	P16																																										
0227-27XXL	P16																																										
			<table border="1"> <tr><td>0227-26XX</td><td>P16</td></tr> <tr><td>0227-26XXL</td><td>P16</td></tr> <tr><td>0227-27XX</td><td>P16</td></tr> <tr><td>0227-27XXL</td><td>P16</td></tr> </table> <p>Please refer to the related page number for the compatible headers.</p>		0227-26XX	P16	0227-26XXL	P16	0227-27XX	P16	0227-27XXL	P16																															
0227-26XX	P16																																										
0227-26XXL	P16																																										
0227-27XX	P16																																										
0227-27XXL	P16																																										
			<table border="1"> <tr><td>0227-09XX</td><td></td></tr> </table>		0227-09XX																																						
0227-09XX																																											

5.08mm		2ESDB-XXP	2ESDBA-XXP	Socket																																																										
<table border="1"> <tr><td>Technical Data</td><td>UL</td><td>IEC</td></tr> <tr><td>Rated voltage</td><td>300V</td><td>600V</td></tr> <tr><td>Rated current</td><td>12A</td><td>15A</td></tr> <tr><td>Solid (AWG/mm<sup>2</sup>)</td><td>24~12</td><td>0.2~2.5</td></tr> <tr><td>Flexible (AWG/mm<sup>2</sup>)</td><td>24~12</td><td>0.2~2.5</td></tr> <tr><td>Rated impulse voltage</td><td colspan="2">4KV</td></tr> <tr><td>Wire strip length</td><td colspan="2">11~12mm</td></tr> <tr><td>Number of Positions</td><td colspan="2">02~24P</td></tr> <tr><td>Accessories</td><td colspan="2">P54</td></tr> <tr><td>ESDK1</td><td colspan="2">P54</td></tr> <tr><td>ESDK2</td><td colspan="2">P54</td></tr> </table>	Technical Data	UL	IEC	Rated voltage	300V	600V	Rated current	12A	15A	Solid (AWG/mm <sup>2</sup> )	24~12	0.2~2.5	Flexible (AWG/mm <sup>2</sup> )	24~12	0.2~2.5	Rated impulse voltage	4KV		Wire strip length	11~12mm		Number of Positions	02~24P		Accessories	P54		ESDK1	P54		ESDK2	P54				<table border="1"> <tr><td>2EHDA-XXP</td><td>P63</td></tr> <tr><td>2EHDAC-XXP</td><td>P63</td></tr> <tr><td>2EHDR-XXP</td><td>P64</td></tr> <tr><td>2EHDR-XXPL</td><td>P64</td></tr> <tr><td>2EHDRC-XXP</td><td>P64</td></tr> <tr><td>2EHDRC-XXPL</td><td>P64</td></tr> <tr><td>2EHDV-XXP</td><td>P64</td></tr> <tr><td>2EHDV-XXPL</td><td>P64</td></tr> <tr><td>2EHDVC-XXP</td><td>P64</td></tr> <tr><td>2EHDVC-XXPL</td><td>P64</td></tr> <tr><td>2EHDRC-XXPL</td><td>P64</td></tr> <tr><td>2EHDRC-XXPL</td><td>P64</td></tr> </table> <p>Please refer to the related page number for the compatible headers.</p>	2EHDA-XXP	P63	2EHDAC-XXP	P63	2EHDR-XXP	P64	2EHDR-XXPL	P64	2EHDRC-XXP	P64	2EHDRC-XXPL	P64	2EHDV-XXP	P64	2EHDV-XXPL	P64	2EHDVC-XXP	P64	2EHDVC-XXPL	P64	2EHDRC-XXPL	P64	2EHDRC-XXPL	P64		
Technical Data	UL	IEC																																																												
Rated voltage	300V	600V																																																												
Rated current	12A	15A																																																												
Solid (AWG/mm <sup>2</sup> )	24~12	0.2~2.5																																																												
Flexible (AWG/mm <sup>2</sup> )	24~12	0.2~2.5																																																												
Rated impulse voltage	4KV																																																													
Wire strip length	11~12mm																																																													
Number of Positions	02~24P																																																													
Accessories	P54																																																													
ESDK1	P54																																																													
ESDK2	P54																																																													
2EHDA-XXP	P63																																																													
2EHDAC-XXP	P63																																																													
2EHDR-XXP	P64																																																													
2EHDR-XXPL	P64																																																													
2EHDRC-XXP	P64																																																													
2EHDRC-XXPL	P64																																																													
2EHDV-XXP	P64																																																													
2EHDV-XXPL	P64																																																													
2EHDVC-XXP	P64																																																													
2EHDVC-XXPL	P64																																																													
2EHDRC-XXPL	P64																																																													
2EHDRC-XXPL	P64																																																													
			<table border="1"> <tr><td>2EHDRM-XXP</td><td>P64</td></tr> <tr><td>2EHDRM-XXPL</td><td>P64</td></tr> <tr><td>2EHDVM-XXP</td><td>P64</td></tr> <tr><td>2EHDVM-XXPL</td><td>P64</td></tr> <tr><td>2EHDRM-XXPL</td><td>P64</td></tr> </table> <p>Please refer to the related page number for the compatible headers.</p>		2EHDRM-XXP	P64	2EHDRM-XXPL	P64	2EHDVM-XXP	P64	2EHDVM-XXPL	P64	2EHDRM-XXPL	P64																																																
2EHDRM-XXP	P64																																																													
2EHDRM-XXPL	P64																																																													
2EHDVM-XXP	P64																																																													
2EHDVM-XXPL	P64																																																													
2EHDRM-XXPL	P64																																																													
	<table border="1"> <tr><td>0187-A4XX</td><td></td></tr> </table>		0187-A4XX		<table border="1"> <tr><td>ECH116L-XXP</td><td>P54</td></tr> <tr><td>ECH116V-XXP</td><td>P54</td></tr> <tr><td>ECH116R-XXP</td><td>P54</td></tr> <tr><td>ECH116HVS-XXP</td><td>P54</td></tr> <tr><td>ECH116HRS-XXP</td><td>P54</td></tr> </table> <p>Please refer to the related page number for the compatible headers.</p>		ECH116L-XXP	P54	ECH116V-XXP	P54	ECH116R-XXP	P54	ECH116HVS-XXP	P54	ECH116HRS-XXP	P54																																														
0187-A4XX																																																														
ECH116L-XXP	P54																																																													
ECH116V-XXP	P54																																																													
ECH116R-XXP	P54																																																													
ECH116HVS-XXP	P54																																																													
ECH116HRS-XXP	P54																																																													

# PCB Terminal Blocks For Electronic Housing Applications



Connection method: Push-in connection / screw connection

Pitch: 3.81mm / 5.00mm / 5.08mm / 9.00mm / 12.5mm

UL Rated: 150V / 8A ~ 300V / 15A

IEC Rated: 320V / 14A ~ 320V / 20A

- Versions with LED light pipe on 0171 series

- 5ESDT plug (p. 55) is the mating plug for 5EH-XXP sockets

- The terminal block design aims to increase the density of connections on PCB while using as less space as possible, the terminal pins are situated at a right angle of the wire entry direction.

DIN rail connector for DIN rail mounting in 5 pole gold-plated contacts, which helps to connect the modules on the DIN rail to play the role of power and signal transmission. BST-220-05 in black housing is for output function. The connectors fit enclosures in the width of 6.2mm, 17.5mm and 22mm.

3.81mm			BST-111-05		BST-112-05		BST-120-05	
Technical Data	UL	IEC						
Rated voltage	150V	320V						
Rated current	8A	14A						
Number of Positions								
05P								
Thickness of applied enclosure								
BST-111-05	17.5 mm							
BST-112-05	22.5 mm							
BST-120-05	6.2 mm							

3.81mm			BST-220-05	
Technical Data	UL	IEC		
Rated voltage	150V	320V		
Rated current	8A	14A		
Number of Positions				
05P				
Thickness of applied enclosure				
6.2 mm				

5.08mm			0228-21XX		0228-22XX		0228-23XX	
Technical Data	UL	IEC						
Rated voltage	300V	320V						
Rated current	8A	10A						
Solid (AWG/mm²)	28~16	0.2~1.5						
Flexible (AWG/mm²)	28~16	0.2~1.5						
Rated impulse voltage	4KV							
Wire strip length	8~9mm							
Number of Positions								
04~40P								

9.00mm			0171-10XX		0171-11XX		0171-60XX	
Technical Data	UL	IEC						
Number of Positions								
0171-10XX								
0171-11XX								
0171-60XX								
Rated current								
0171-10XX								
0171-11XX			8A		14A			
0171-60XX					15A			
Solid (AWG/mm²)			28~16		0.2~1.5			
Flexible (AWG/mm²)			28~16		0.2~1.5			
Rated impulse voltage								
0171-10XX					4KV			
0171-11XX					6KV			
0171-60XX								
Wire strip length			7~8mm					
Number of Positions								
0171-60XX			01~04P					
0171-10XX								
0171-11XX			02~08P					

12.50mm			0171-20XX		0171-21XX	
Technical Data	UL	IEC				
Rated voltage	300V	320V				
Rated current	15A	20A				
Solid (AWG/mm²)	24~12	0.2~2.5				
Flexible (AWG/mm²)	24~12	0.2~2.5				
Rated impulse voltage	4KV					
Wire strip length	9~10mm					
Number of Positions						
02~08P						

3.81mm			BST-220-05	
Technical Data	UL	IEC		
Rated voltage	150V	320V		
Rated current	8A	14A		
Number of Positions				
05P				
Thickness of applied enclosure				
6.2 mm				

5.00mm		5ES-2PL	5ES-3PL	5ES-4PL	5ES-2PR	5ES-3PR	5ES-4PR
Technical Data	UL	IEC					
Rated voltage	300V	400V					
Rated current	10A	24A					
Solid (AWG/mm <sup>2</sup> )	22~14	0.2~2.5					
Flexible (AWG/mm <sup>2</sup> )	22~14	0.2~2.5					
Rated impulse voltage	2KV	4KV					
Torque (N·m)	0.4~0.5						
Screw	M2.5						
Wire strip length	7~8mm						
Number of Positions							
5ES-2PL		02P					
5ES-2PR							
5ES-3PL							
5ES-3PR							
5ES-4PL							
5ES-4PR							

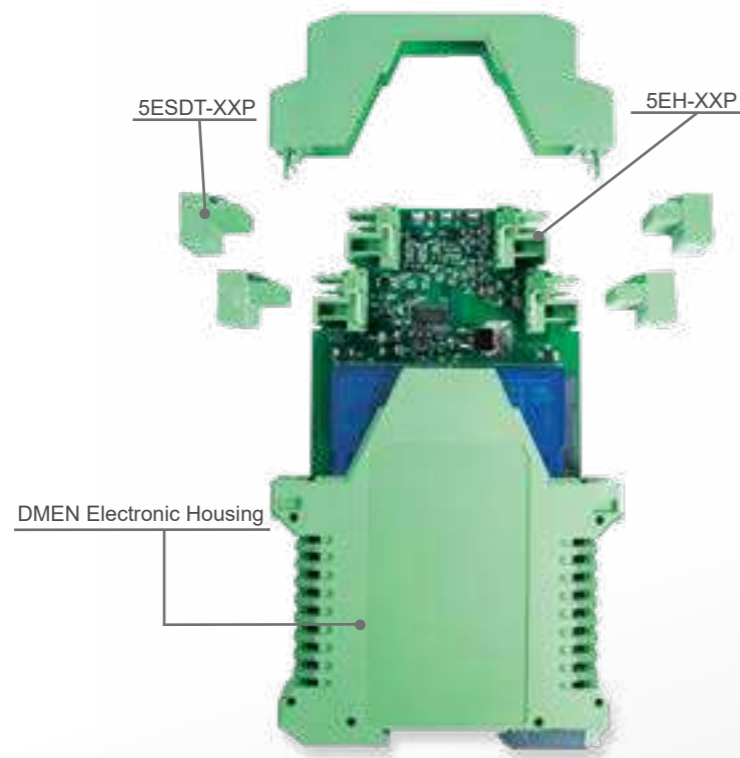
5.00mm		5EH-2PL 5EH-2PLL	5EH-3PL 5EH-3PLL	5EH-4PL 5EH-4PLL	5EH-2PR 5EH-2PRL	5EH-3PR 5EH-3PRL	5EH-4PR 5EH-4PRL	5ESDT-XXP
Technical Data	UL	IEC						
Rated voltage	300V	630V						
Rated current	15A	18A						
Rated impulse voltage		4KV						
Number of Positions								
5EH-2PL		02P						
5EH-2PR								
5EH-3PL								
5EH-3PR								
5EH-4PL								
5EH-4PR								
Accessories								
EHDK1		P54						
EHDK1L		P54						

5.00mm		0189-202PL	0189-203PL	0189-204PL	0189-202PR	0189-203PR	0189-204PR
Technical Data	UL	IEC					
Rated voltage	300	320					
Rated current	20	24					
Solid (AWG/mm <sup>2</sup> )	24~12	0.2~2.5					
Flexible (AWG/mm <sup>2</sup> )	24~12	0.2~4					
Rated impulse voltage		4KV					
Wire strip length	10~11mm						
Number of Positions							
0189-202PL		02P					
0189-202PR							
0189-212PL							
0189-212PR							
0189-203PL							
0189-203PR							
0189-213PL							
0189-213PR							
0189-204PL							
0189-204PR							
0189-214PL							
0189-214PR							

5.00mm		0189-212PL	0189-213PL	0189-214PL	0189-212PR	0189-213PR	0189-214PR
* The series is all with light pipe.							

Refer to P.41

7.5mm		7ES-3PL	7ES-3PR
Technical Data	UL	IEC	
Rated voltage	300V	630V	
Rated current	20A	24A	
Solid (AWG/mm <sup>2</sup> )	30~12	0.2~2.5	
Flexible (AWG/mm <sup>2</sup> )	30~12	0.2~2.5	
Rated impulse voltage		6KV	
Torque (N-m)	0.4~0.5		
Screw	M2.5		
Wire strip length	7~8mm		
Number of Positions			
03P			



5ES and 5EH series terminal blocks are designed specifically for electronic housing DMEN type.

5ES series are PCB type terminal blocks, and is adopting elevated wire cage with screw connection.

5EH series are headers(sockets) which are compatible with 5ESDT plug (P. 55).

Please pay attention to identify left and right side features when using this product range. Please visit [www.dinkle.com](http://www.dinkle.com) for more information on electronic housing DMEN type.

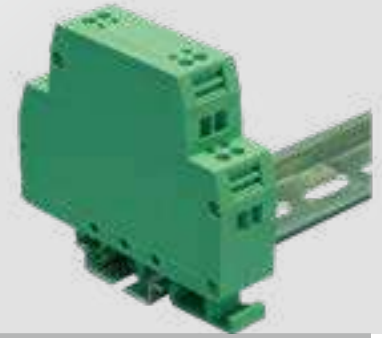
## DEG / DMEN

### Electronic Housing

- Dinkle electronic housing offers effective component protection and suitable for system integration.

There are wide selections of varies dimensions for customer usage width of 20,22.5,25,30,40 and 45 mm->(DEG). width of 12.5,17.5,22.5,35 mm->(DMEN)

-Industrial PA materials are used in electronic housings which feature low flammability and insulation levels that meet UL and IED standards.





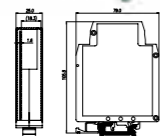
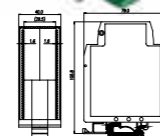
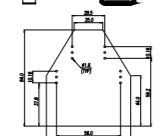
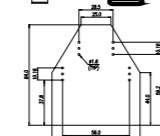


Specification	DEG-02P	DEG-04P
Rated voltage	500V	
Rated current	10A	
Solid (AWG/mm <sup>2</sup> )	24~12	
Torque (N-m)	0.4	
Width		
DEG-02P	20mm	
DEG-04P	30mm	
Accessories		
Terminal block/Plug	DEG-TB2P	



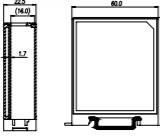
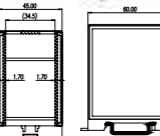
  




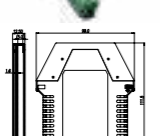
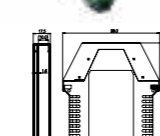
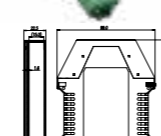
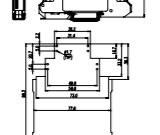
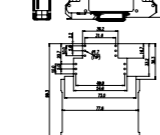
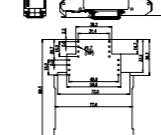



Specification	DEGM-03P	DEGM-06P
Technical Data	UL	IEC
Rated voltage	300V	500V
Rated current	12A	16A
Solid (AWG/mm <sup>2</sup> )	24~12	0.2~2.5
Flexible (AWG/mm <sup>2</sup> )	24~12	0.2~2.5
Rated impulse voltage	4KV	
Torque (N-m)	0.4	
Width		
DEGM-03P	25mm	
DEGM-06P	40mm	
Accessories		
Terminal block/Plug	DEGM-TB3P	





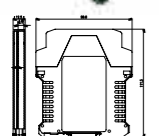
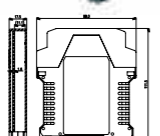
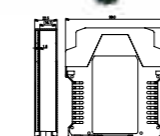
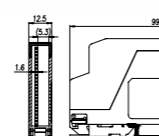
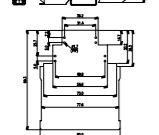
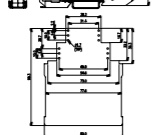
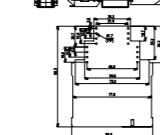
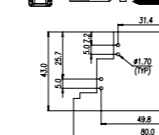
  

Specification	DEGM-12P
Rated voltage	250V
Rated current	12A
Width	
DEGM-12P	25mm
Accessories	
Terminal block/Plug	2EHDR-4375
Terminal block/Socket	2ESDV-12P

Specification		DEGH-03P	DEGH-06P
Rated voltage	500V		
Rated current	10A		
Solid (AWG/mm <sup>2</sup> )	24~12		
Torque (N-m)	0.4		
Width			
DEGH-03P	25mm		
DEGH-06P	40mm		
Accessories			
Terminal block/Plug	DEGH-TB3P		

Specification		DMUG-22	DMUG-45
Rated voltage	250A		
Rated current	15A		
Width			
DMUG-22	22.5mm		
DMUG-45	40mm		
Accessories			
Terminal block/Plug	5EHDR-06P/08P		
Terminal block/Socket	5ESDV-06P/08P		

Specification		DMEN-S2P	DMEN-S3P	DMEN-S4P
Rated voltage	250V			
Rated current	12A			
Solid (AWG/mm <sup>2</sup> )	28~12			
Torque (N-m)	0.4			
Width				
DMEN-S2PGG	12.5mm			
DMEN-S3PGG	17.5mm			
DMEN-S4PGG	22.5mm			
DMEN-T2PGG	12.5mm			
DMEN-T3PGG	17.5mm			
DMEN-T4PGG	22.5mm			
DMES-T2PGG	12.5mm			
DEGM-12P	25mm			
Accessories				
Earthing Plug	0073-B001			


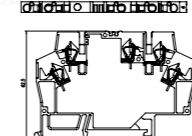
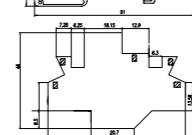
DMEN-T2P	DMEN-T3P	DMEN-T4P	DMES-T2P
			
			
			
			<b>*NO Earthing Plug</b>


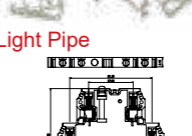
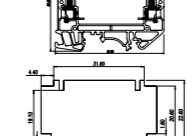
## DMER

### Component Housing

- Dinkle DMER series housing is designed for DIN Rail installation with an external thickness of 6.0~6.2 mm, internal thickness 4.1~5.2mm and large internal space which is suitable for various components assembly requirement.
- The housings feature a compact structure which allows large PCB to be installed.
- UL approved V0 PA material for exceptional insulation and protection in application.
- Screw connection, spring clamp connection and Push-in connection are available.

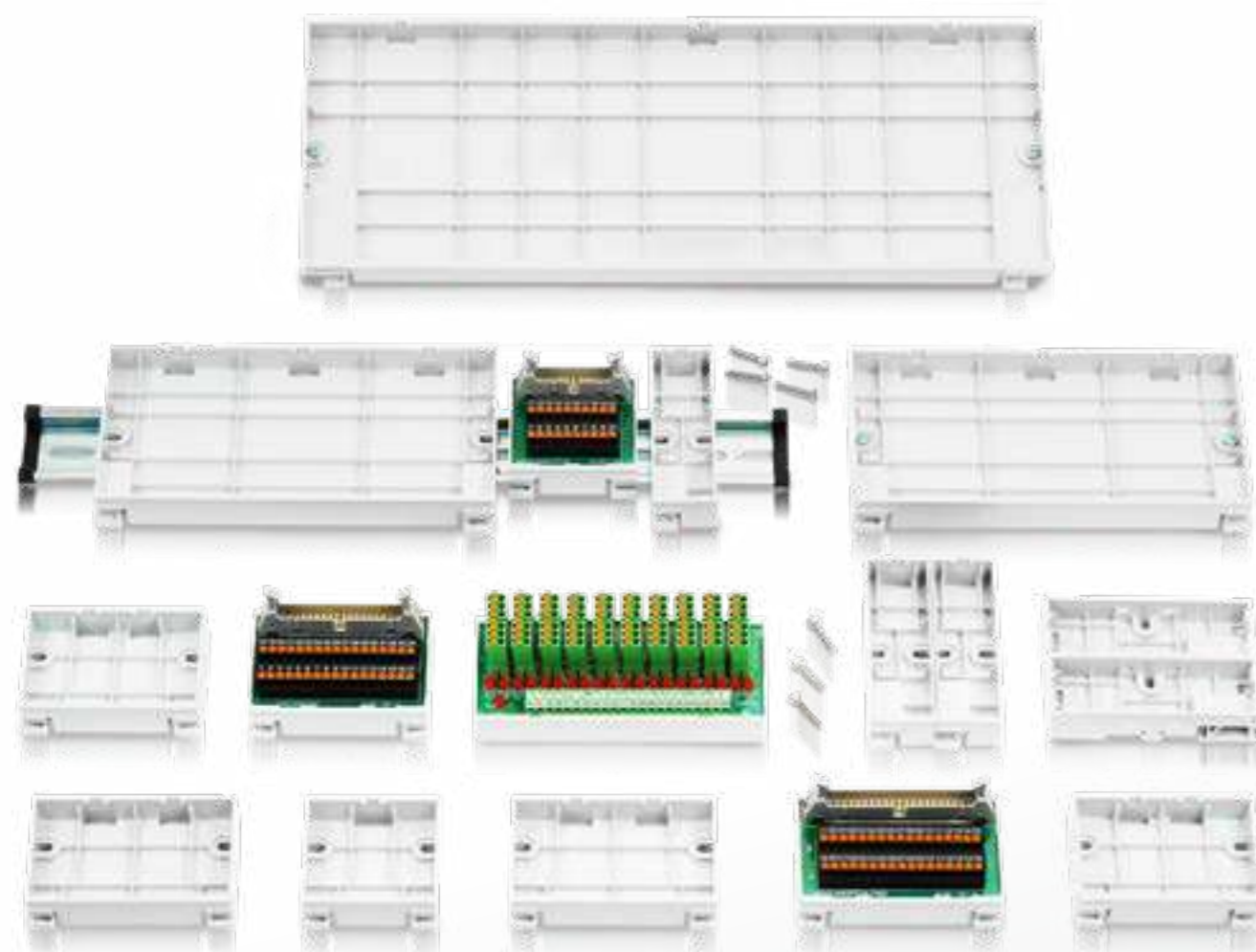


Specification		DMER-10
Width		
6		
Accessories		
End cover	DMER-10C	
		

Specification		DMER-41
Technical Data		UL
Rated voltage	300V	
Rated current	20A	
Solid (AWG/mm <sup>2</sup> )	24~12	
Flexible (AWG/mm <sup>2</sup> )	24~12	<b>*With Light Pipe</b>
Torque (N-m)	0.4	
Width		
6.1		
Accessories		
End cover	DMERC	



# PCB Carrier Din Rail/ Panel Mounting



## Product advantages

- Flammability rating: UL94-V2
- Available in three commonly used widths, one-piece molding, beautiful and convenient, with strong stability.
- Each set of module racks is designed with reserved holes for panel locking, and can be used regardless of track installation without plate fixation.
- The bottom track slot is suitable for TS-35 and TS-35/15 standard DIN tracks.
- The 0040-03 series has a width of 107mm. The specially designed side wall can be installed with a label card slot, which is suitable for DINKLE TM-R110 signs.



Part No.	PCB Size		PCB Carrier Size			Unit : mm		Corresponding KMR Carrier
	Width	Length	Width	Length	Hight	Hight+(TS-35)		
0040-0101E	42	57.5	47.9	60.5	17.9	22.4	KMSR-0031~KMSR-0035	
0040-0102E	42	108	47.9	111.1	17.9	22.4	KMSR-0036~KMSR-0046	
0040-0103E	42	140	47.9	143.1	17.9	22.4	KMSR-0047~KMSR-0057	
0040-0104E	42	208	47.9	211.2	17.9	22.4	KMSR-0058~KMSR-0064	
0040-0105E	42	46.8	47.9	49.8	17.9	22.4	KMSR-0065~KMSR-0072	
0040-0106E	42	64.8	47.9	68	17.9	22.4	KMSR-0072~KMSR-0108	
0040-0107E	42	72.8	47.9	76	17.9	22.4	KMSR-0109~KMSR-0140	
0040-0108E	42	35	47.9	38.2	17.9	22.4	KMSR-0141~KMSR-0208	



Part No.	PCB Size		PCB Carrier Size			Unit : mm		Corresponding KMR Carrier
	Width	Length	Width	Length	Hight	Hight+(TS-35)		
0040-0212E	72	22	77.9	25.2	17.9	22.4		
0040-0213E	72	32	77.9	35.2	17.9	22.4		
0040-0214E	72	42	77.9	45.2	17.9	22.4	KMR-0038~KMR-0042	
0040-0215E	72	52	77.9	55.2	17.9	22.4	KMR-0043~KMR-0052	
0040-0216E	72	62	77.9	65.2	17.9	22.4	KMR-0053~KMR-0062	
0040-0217E	72	72	77.9	75.2	17.9	22.4	KMR-0063~KMR-0072	
0040-0218E	72	82	77.9	85.2	17.9	22.4	KMR-0073~KMR-0082	
0040-0219E	72	92	77.9	95.2	17.9	22.4	KMR-0083~KMR-0092	
0040-0220E	72	102	77.9	105.2	17.9	22.4	KMR-0093~KMR-0102	
0040-0221E	72	112	77.9	115.2	17.9	22.4	KMR-0103~KMR-0112	
0040-0222E	72	122	77.9	125.2	17.9	22.4	KMR-0113~KMR-0122	
0040-0223E	72	152	77.9	155.2	17.9	22.4	KMR-0123~KMR-0152	
0040-0224E	72	172	77.9	175.2	17.9	22.4	KMR-0153~KMR-0172	
0040-0225E	72	202	77.9	205.2	17.9	22.4	KMR-0173~KMR-0202	
0040-0226E	72	222	77.9	225.2	17.9	22.4	KMR-0203~KMR-0222	
0040-0227E	72	252	77.9	255.2	17.9	22.4	KMR-0223~KMR-0252	
0040-0228E	72	272	77.9	275.2	17.9	22.4	KMR-0253~KMR-0272	
0040-0229E	72	302	77.9	305.2	17.9	22.4	KMR-0273~KMR-0302	



Part No.	PCB Size		PCB Carrier Size			Unit : mm		Corresponding KMR Carrier
	Width	Length	Width	Length	Hight	Hight+(TS-35)		
0040-0301E	107	25	115	28.2	17.9	22.4		
0040-0302E	107	35	115	38.2	17.9	22.4		
0040-0303E	107	50	115	53.2	17.9	22.4	KMLR-0041~KMLR-0050	
0040-0305E	107	75	115	78.2	17.9	22.4	KMLR-0051~KMLR-0075	
0040-0308E	107	100	115	103.2	17.9	22.4	KMLR-0076~KMLR-0100	
0040-0311E	107	125	115	128.2	17.9	22.4	KMLR-0101~KMLR-0125	
0040-0314E	107	150	115	153.2	17.9	22.4	KMLR-0126~KMLR-0150	
0040-0316E	107	175	115	178.2	17.9	22.4	KMLR-0151~KMLR-0175	
0040-0318E	107	200	115	203.2	17.9	22.4	KMLR-0176~KMLR-0200	
0040-0320E	107	225	115	228.2	17.9	22.4	KMLR-0201~KMLR-0225	
0040-0322E	107	250	115	253.2	17.9	22.4	KMLR-0226~KMLR-0250	
0040-0324E	107	275	115	278.2	17.9	22.4	KMLR-0251~KMLR-0275	
0040-0326E	107	300	115	303.2	17.9	22.4	KMLR-0276~KMLR-0300	

# RYPS



## Relay Socket

- Dinkle relay sockets allow reliable connection with the PCB relay and offer excellent soldering performance.

- Dinkle relay sockets are compatible with various brands of PCB relay in the market.

Specification		RYPSA-04N	RYPSM-05F																								
Rated voltage	250V																										
Rated current	10A																										
		Compatible models																									
		<table border="1"> <thead> <tr> <th colspan="2">RYPSA-04N</th> </tr> </thead> <tbody> <tr> <td>OMRON</td> <td>OJE-SS-124HMF</td> </tr> <tr> <th colspan="2">RYPSM-05F</th> </tr> <tr> <td>Hongfa</td> <td>HF41F/024-ZS</td> </tr> <tr> <td></td> <td>HF41F/060-ZS</td> </tr> <tr> <th colspan="2">RYPS-05N</th> </tr> <tr> <td>OMRON</td> <td>G2RL-1-HA DC12</td> </tr> <tr> <td></td> <td>RT214012</td> </tr> <tr> <td>TE Connectivity</td> <td>RTD14005</td> </tr> <tr> <th colspan="2">RYPS-08N</th> </tr> <tr> <td>OMRON</td> <td>G2R-1A-E-DC24</td> </tr> <tr> <td></td> <td>G2RN5112M</td> </tr> </tbody> </table>		RYPSA-04N		OMRON	OJE-SS-124HMF	RYPSM-05F		Hongfa	HF41F/024-ZS		HF41F/060-ZS	RYPS-05N		OMRON	G2RL-1-HA DC12		RT214012	TE Connectivity	RTD14005	RYPS-08N		OMRON	G2R-1A-E-DC24		G2RN5112M
RYPSA-04N																											
OMRON	OJE-SS-124HMF																										
RYPSM-05F																											
Hongfa	HF41F/024-ZS																										
	HF41F/060-ZS																										
RYPS-05N																											
OMRON	G2RL-1-HA DC12																										
	RT214012																										
TE Connectivity	RTD14005																										
RYPS-08N																											
OMRON	G2R-1A-E-DC24																										
	G2RN5112M																										
		RYPS-05N	RYPS-08N																								

# KM



## PCB Carrier

- KM series PCB carriers offer various dimensions that can accommodate PCB width of 42mm, 72mm and 107mm. The length of the carrier can be cut according to customer's requirement.

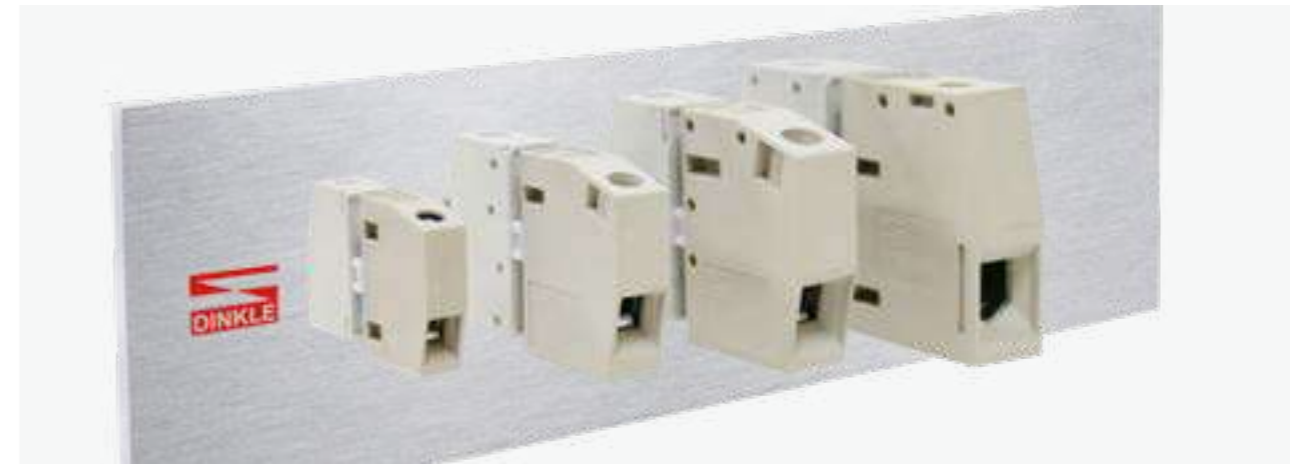
- KM PCB carrier set includes 4 screws for assembly.

- KMRT and KMRF designs offer large PCB assembly area, which is suitable for accommodating double PCB of width 107mm.

- Dinkle PCB carriers have been widely applied in system integration and interface integration applications.

KMRT-XXXX	KMRF-XXXX
*PCB width:72mm(Bi-level)	
L represents the PCB length.	L represents the PCB length.
KMRH-K175	
*PCB width:107mm(Bi-level)	
L represents the PCB length.	

# Panel Feed-through Terminal Blocks



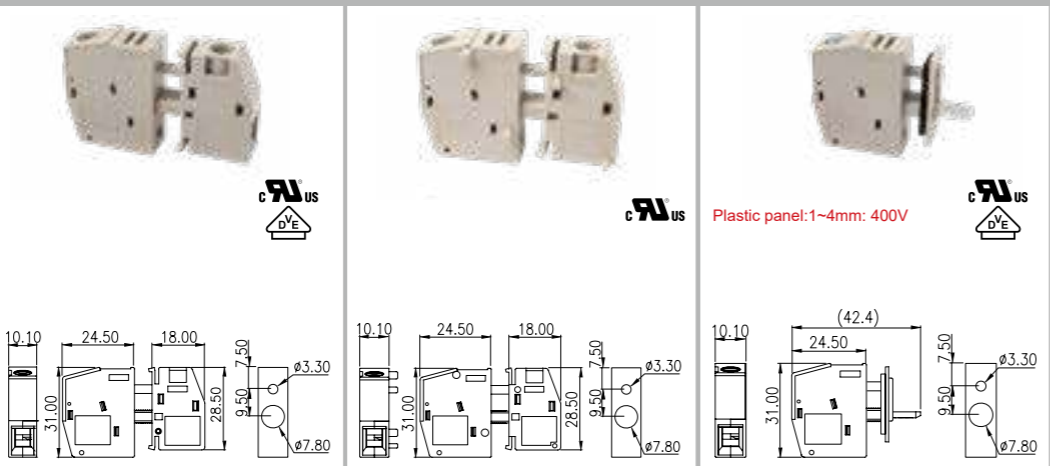
Solutions for many industrial applications: for wall thicknesses from 1 mm to 6 mm, currents up to 230A, voltages up to 630V (IEC).

**Cross section: 4~95mm<sup>2</sup>**  
**UL Rated: 300V / 30A ~ 600V / 230A**  
**IEC Rated: 400V / 41A ~ 1000V / 232A**

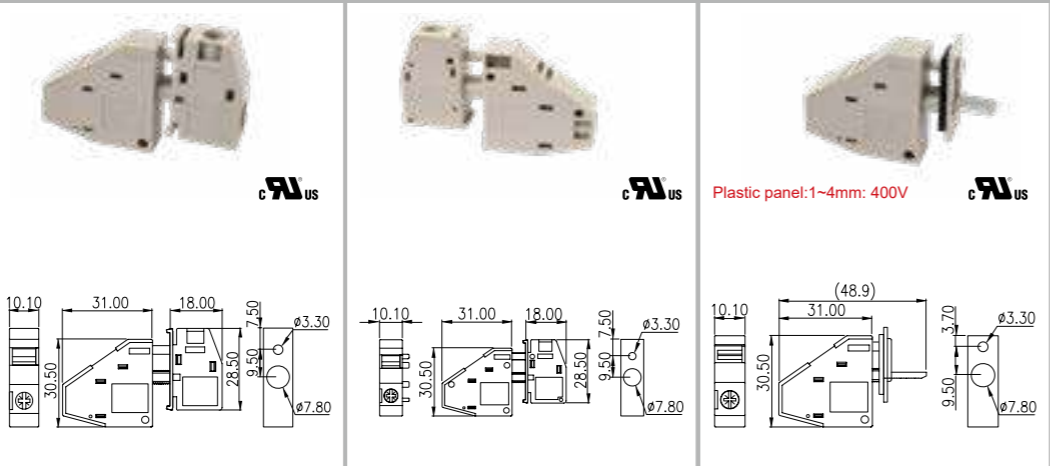
PPAC series terminal blocks are particularly useful in the field of telecommunications and power distribution. The product range also supports electrical equipment manufacturers of filters, converters, inverters, transformers, power supplies and industrial batteries.

Specification	PPACN-4	PPACNV-4	
Technical Data	UL	IEC	
Rated voltage	300V	400V	
Rated current	30A	41A	
Wire range (AWG/mm <sup>2</sup> )	30~10	0.2~6	
Rated impulse voltage	6KV		
Torque (N-m)	0.5~0.6		
Screw	M3		
Wire strip length	9~10mm		
Insulating material	PA		
Outer dimension	T x H x W (mm)		
PPACN-4	8.1 x 21 x 20		
PPACNV-4	8.1 x 21 x 24.5		
Inner dimension	T x H x W (mm)		
PPACN-4	8.1 x 21 x 15		
PPACNV-4	8.1 x 21 x 15		
Marking label	TM44		
Voltage on metal panel:	1.0~2.5mm 400V 2.5~4.0mm 320V		
Voltage on plastic panel:	500V		
Specification	PPACNVH-4	PPAC-4SS	PPAC-4SSG
Technical Data	UL	IEC	
Rated voltage	300V	400V	
Rated current	30A	41A	
Wire range (AWG/mm <sup>2</sup> )	30~10	0.2~6	
Rated impulse voltage	6KV		
Torque (N-m)	0.5~0.6		
Screw	M3		
Wire strip length	9~10mm		
Insulating material	PA		
Outer dimension	T x H x W (mm)		
PPACNVH-4	8.1 x 22.5 x 24.5		
PPAC-4SS	10 x 20.5 x 10.9		
PPAC-4SSG	10 x 20.5 x 10.9		
Outer dimension	T x H x W (mm)		
PPACNVH-4	8.1 x 21 x 15		
PPAC-4SS	9.8 x 9.8 x 14.6		
PPAC-4SSG	9.8 x 9.8 x 14.6		
Marking label	TM44		
Voltage on metal panel:	1~2.5mm 400V 2.5~4mm 320V		
Voltage on plastic panel:	500V		

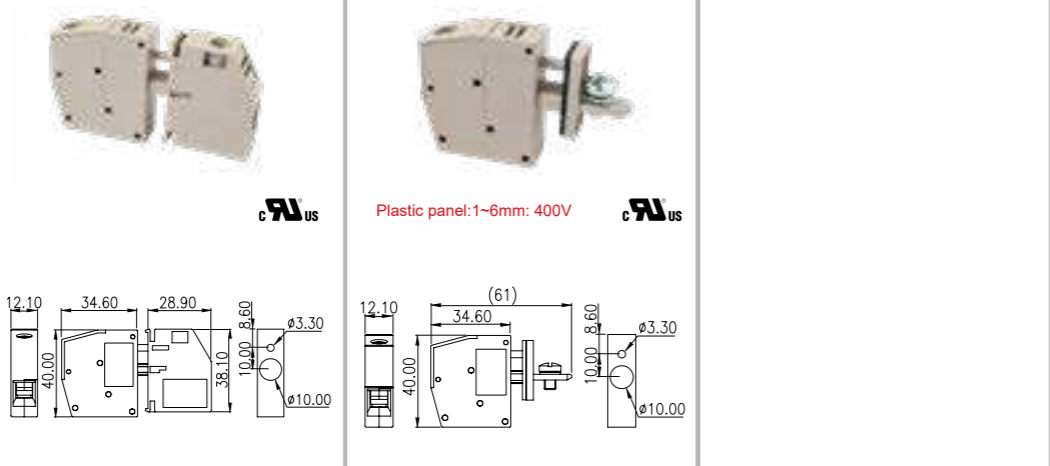
Specification		
Technical Data	UL	IEC
Rated voltage	300V	400V
Rated current	65A	76A
Wire range (AWG/mm <sup>2</sup> )	24-6	0.5-16
Rated impulse voltage	6KV	
Torque (N-m)	1.5-1.7	
Screw	M4	
Wire strip length	10-11mm	
Insulating material	PA	
Outer dimension	T x H x W (mm)	
PPACN-10	10.1 x 31 x 24.5	
PPACN-10Z	10.1 x 31 x 24.5	
PPACN-10AS	10.1 x 31 x 24.5	
Inner dimension	T x H x W (mm)	
PPACN-10	10.1 x 28.5 x 18	
PPACN-10Z	10.1 x 28.5 x 18	
Marking label	TM44	
Voltage on metal panel: 1-2.5mm 500V 2.5-4mm 320V		
Voltage on plastic panel: 500V		



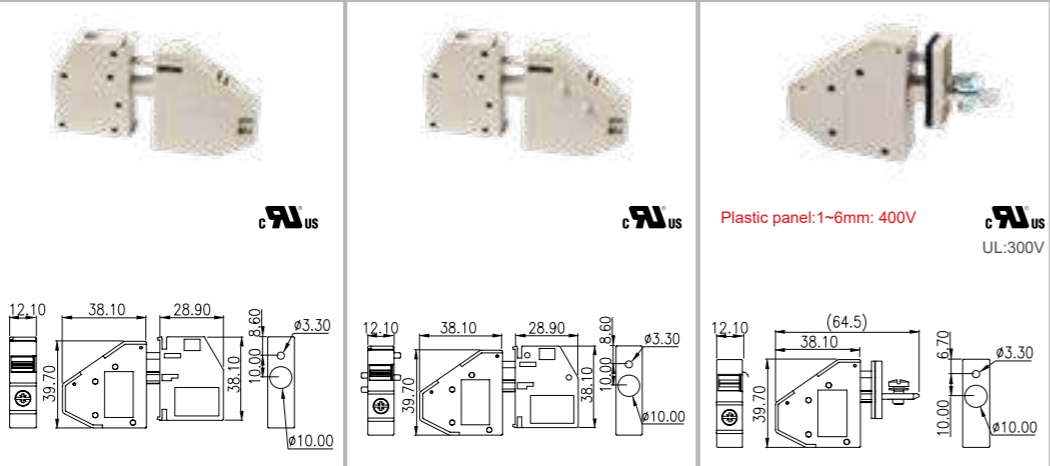
Specification		
Technical Data	UL	IEC
Rated voltage	300V	500V
Rated current	65A	76A
Wire range (AWG/mm <sup>2</sup> )	24-6	0.5-16
Rated impulse voltage	6KV	
Torque (N-m)	1.5-1.7	
Screw	M4	
Wire strip length	10-11mm	
Insulating material	PA	
Outer dimension	T x H x W (mm)	
PPACNV-10	10.1 x 30.5 x 31	
PPACNV-10Z	10.1 x 30.5 x 31	
PPACNV-10AS	10.1 x 30.5 x 31	
Inner dimension	T x H x W (mm)	
PPACNV-10	10.1 x 28.5 x 18	
PPACNV-10Z	10.1 x 28.5 x 18	
PPACNV-10AS	10.1 x 25 x 16.9	
Marking label	TM44	
Voltage on metal panel: 1-2.5mm 500V 2.5-4mm 320V		
Voltage on plastic panel: 500V		



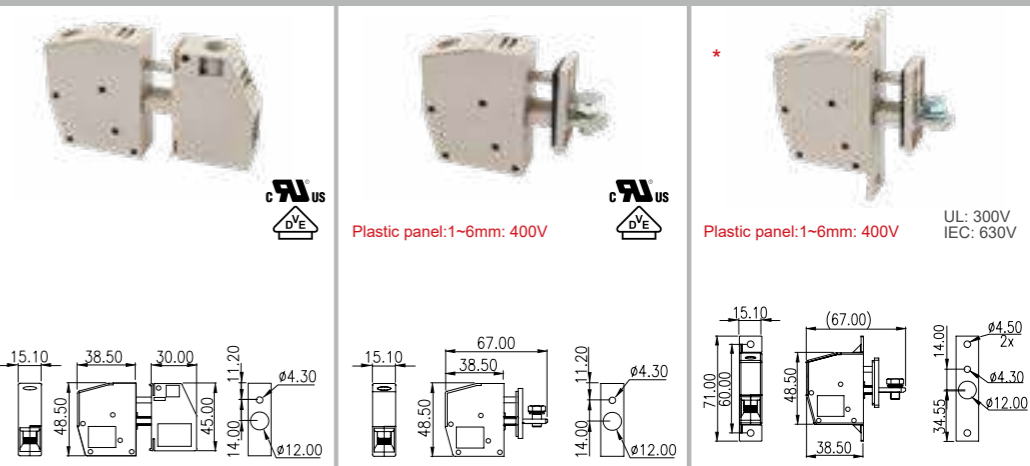
Specification		
Technical Data	UL	IEC
Rated voltage	600V	500V
Rated current	85A	101A
Wire range (AWG/mm <sup>2</sup> )	22-4	0.5-25
Rated impulse voltage	6KV	
Torque (N-m)	2.5-3.4	
Screw	M5	
Wire strip length	16-17mm	
Insulating material	PA	
Outer dimension	T x H x W (mm)	
PPAC-16	12.1 x 40 x 34.6	
PPAC-16AS	12.1 x 40 x 34.6	
Inner dimension	T x H x W (mm)	
PPAC-16	12.1 x 38.1 x 28.9	
PPAC-16AS	12.1 x 26 x 25.4	
Marking label	TM49	
Voltage on Metal panel: 1-2mm 800V 2-3mm 630V 3-6mm 500V		
Voltage on Plastic panel: 800V		



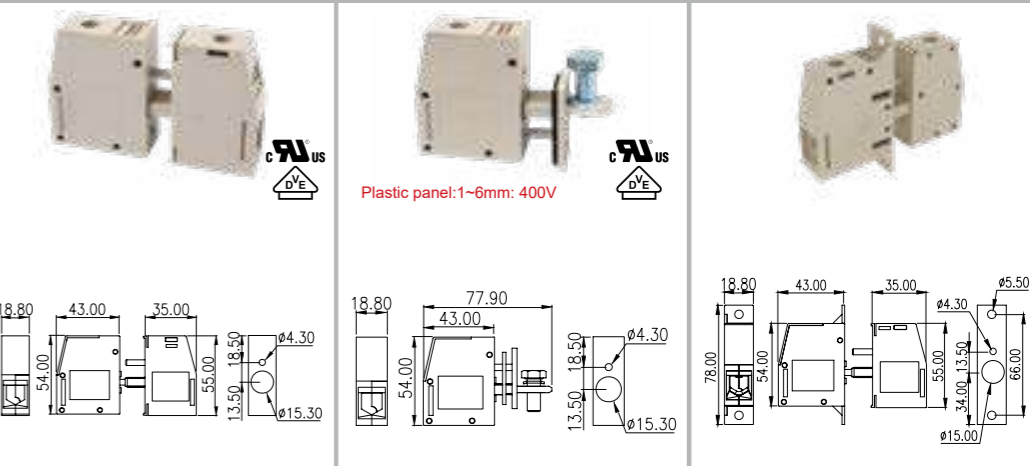
Specification		
Technical Data	UL	IEC
Rated voltage	600V	500V
Rated current	85A	101A
Wire range (AWG/mm <sup>2</sup> )	22-4	0.5-25
Rated impulse voltage	6KV	
Torque (N-m)	2.5-3.4	
Screw	M5	
Wire strip length	16-17mm	
Insulating material	PA	
Outer dimension	T x H x W (mm)	
PPACV-16	12.1 x 39.7 x 38.1	
PPACV-16Z	12.1 x 39.7 x 38.1	
PPACV-16AS	12.1 x 39.7 x 38.1	
Inner dimension	T x H x W (mm)	
PPACV-16	12.1 x 38.1 x 28.9	
PPACV-16Z	12.1 x 38.1 x 28.9	
PPACV-16AS	10.1 x 25 x 16.9	
Marking label	TM49	
Voltage on metal panel: 1-2mm 800V 2-3mm 630V 3-6mm 500V		
Voltage on plastic panel: 800V		



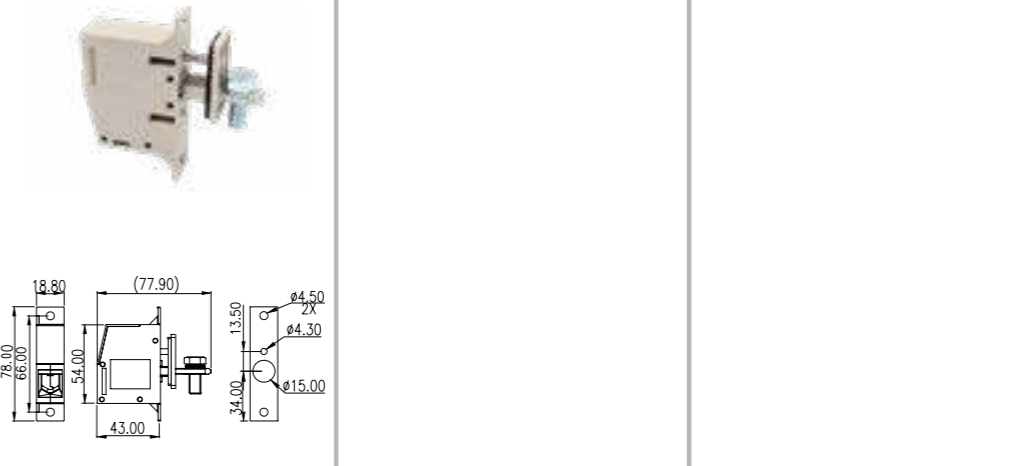
Specification		
Technical Data	UL	IEC
Rated voltage	600V	800V
Rated current	115A	125A
Wire range (AWG/mm <sup>2</sup> )	8-2	6-35
Rated impulse voltage	6KV	
Torque (N-m)	3.4-3.9	
Screw	M5	
Wire strip length	19-20mm	
Insulating material	PA	
Outer dimension	T x H x W (mm)	
PPAC-25	15.1 x 48.5 x 38.5	
PPAC-25AS	15.1 x 48.5 x 38.5	
PPAC-25MAS	15.1 x 71 x 38.5	
Inner dimension	T x H x W (mm)	
PPAC-25	15.1 x 45 x 30	
PPAC-25AS	15.1 x 33.3 x 27.5	
PPAC-25MAS	15.1 x 33.3 x 27.5	
Marking label	TM49	
Voltage on metal panel: 1-5mm 800V 5-6mm 630V		
Voltage on plastic panel: 800V		



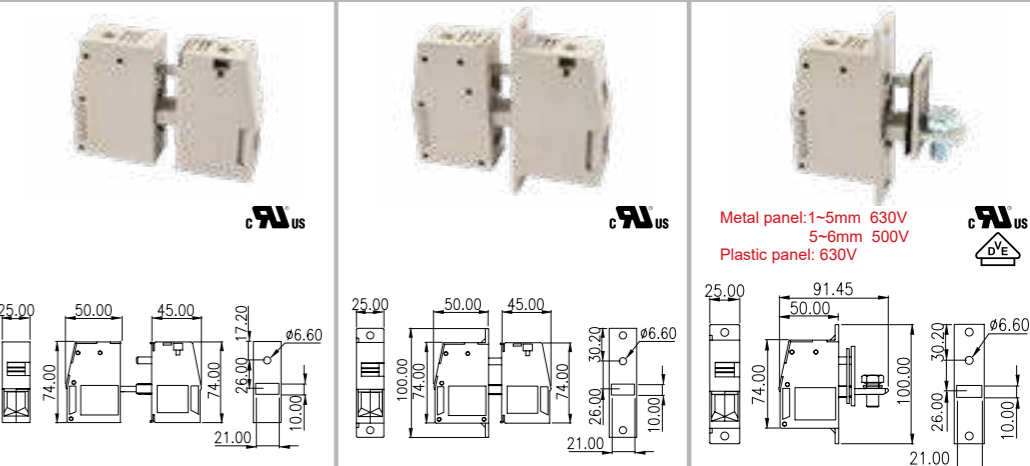
Specification		
Technical Data	UL	IEC
Rated voltage	600V	800V
Rated current	150A	150A
Wire range (AWG/mm <sup>2</sup> )	6-1/0	16-50
Rated impulse voltage	8KV	
Torque (N-m)	5.9-6	
Screw	M6	
Wire strip length	24-25mm	
Insulating material	PA	
Outer dimension	T x H x W (mm)	
PPAC-50	18.8 x 54 x 43	
PPAC-50AS	18.8 x 54 x 43	
PPAC-50M	18.8 x 78 x 43	
Inner dimension	T x H x W (mm)	
PPAC-50	18.8 x 55 x 35	
PPAC-50AS	18.8 x 37 x 33.9	
PPAC-50M	18.8 x 55 x 35	
Marking label	TM49	
Voltage on metal panel: 1-5mm 800V 5-6mm 630V		
Voltage on plastic panel: 800V		



Specification		
Technical Data	UL	IEC
Rated voltage	300V	400V
Rated current	150A	150A
Wire range (AWG/mm <sup>2</sup> )	6-1/0	16-50
Rated impulse voltage	8KV	
Torque (N-m)	5.9-6	
Screw	M6/M8	
Wire strip length	24-25mm	
Insulating material	PA	
Outer dimension	T x H x W (mm)	
PPAC-50MAS	18.8 x 78 x 43	
Inner dimension	T x H x W (mm)	
PPAC-50MAS	18.8 x 37 x 33.9	
Marking label	TM49	
Voltage on plastic panel: 1-6mm: 400V		



Specification		
Technical Data	UL	IEC
Rated voltage	600V	630V
Rated current	230A	232A
Wire range (AWG/mm <sup>2</sup> )	4-4/0	25-95
Rated impulse voltage	8KV	
Torque (N-m)	14.7-15	
Screw	M8	
Wire strip length	27-28mm	
Insulating material	PA	
Outer dimension	T x H x W (mm)	
PPAC-95	25 x 74 x 50	
PPAC-95M	25 x 100 x 50	
PPAC-95MAS	25 x 100 x 50	
Inner dimension	T x H x W (mm)	
PPAC-95	25 x 74 x 45	
PPAC-95M	25 x 74 x 45	
PPAC-95MAS	25 x 50 x 40.5	
Marking label	TM49	
Voltage on metal panel: 1-2.5mm 1000V 2.5-5mm 800V 5-6mm 630V		
Voltage on plastic panel: 1000V		



## Barrier type terminal blocks

Barrier type terminal blocks are screw connection electrical connectors that connect multiple circuits to one another. Clamp the wire to the metal part with the locking screw. Each wiring structure is separated by the insulation barrier.

Barrier terminal blocks are designed for electrical applications and can be fitted with a transparent safety cover. When using, it should be noted that the wires do not exceed the barriers, which can prevent electrical short-circuits between positions on the same contact and between adjacent components.

The design generally is supplied in 5 categories: double-barrier, triple-barrier, triple-barrier in double levels, pluggable type and panel feed-through. Each type of barrier is available in a variety of industry standard centerline spacings, which allowing you to choose from high density to high current applications. Double and triple barriers are very similar in that they can both be used in PCB or panel mount applications.



# Double-barrier, single row

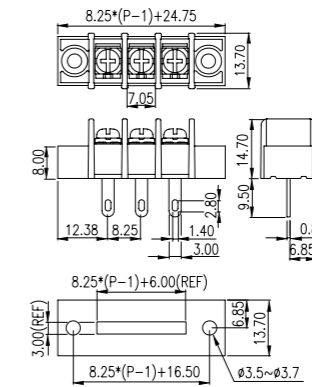


The double barrier in single row terminal blocks offer pitches from 7.62mm~16mm and options of various terminal pin designs that are suitable for voltage ratings 150V/15A~600V/65A.

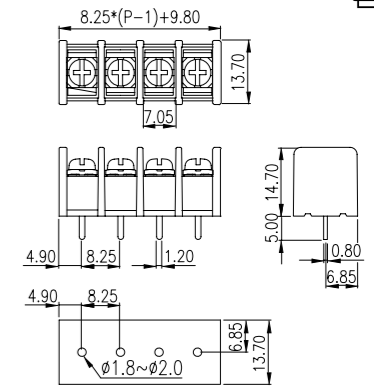
The product range provide a wide variety of screw, terminal and mounting options, fitting a multitude of applications.

## 8.25mm

Technical Data		UL	
UL use group	B/C	D	
Rated voltage	300V/150V	300V	
Rated current	20A	10A	
Wire range (AWG)	22~12		
Withstand voltage	AC2000V / 1 minute		
Insulation resistance	≥500MΩ / DC 500V		
Housing	PA66, UL94-V0, black		
Terminal	Brass, Tin plated		
Screw	M3, Steel, Ni plated		
Torque value (N-m)	0.5~1.4		
Operating temperature	-40°C ~ +120°C		
Wiring type	FW2		
Number of Positions			
DT-35-A02W-XX	02~31P		
DT-35-B01W-XX	02~33P		



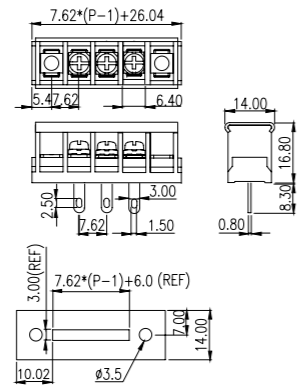
## DT-35-B01W-XX



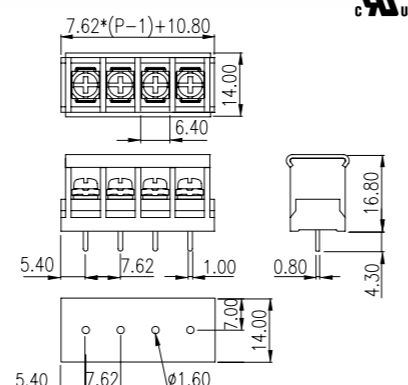
## 7.62mm

Technical Data		UL	
UL use group	B	C	
Rated voltage	300V	300V	
Rated current	15A	15A	
Wire range (AWG)	24~14		
Withstand voltage	AC2000V / 1 minute		
Insulation resistance	≥1000MΩ / DC 500V		
Housing	PBT, UL94-V0, black		
Terminal	Brass, Tin plated		
Screw	M3, Steel, Ni plated		
Torque value (N-m)	0.8		
Operating temperature	-40°C ~ +130°C		
Wiring type	FW2		
Number of Positions			
DT-2G-A02W-XX	02~26P		
DT-2G-B01W-XX	02~28P		
DT-2G-B14W-XX			

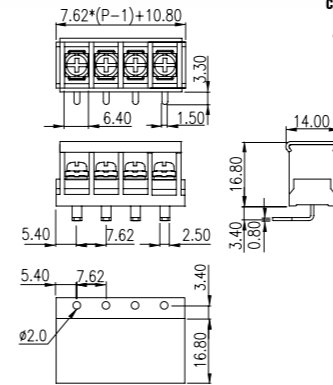
## DT-2G-A02W-XX



## DT-2G-B01W-XX



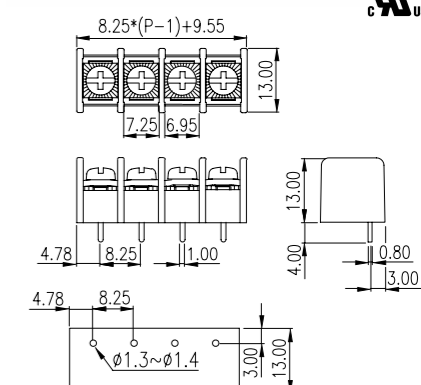
## DT-2G-B14W-XX



## 8.25mm

Technical Data		UL	
UL use group	B / C	D	
Rated voltage	300V / 150V	300V	
Rated current	20A	10A	
Wire range (AWG)	22~12		
Withstand voltage	AC2000V / 1 minute		
Insulation resistance	≥500MΩ / DC 500V		
Housing	PA66, UL94-V0, black		
Terminal	Brass, Tin plated		
Screw	#6-32, Steel, Ni plated		
Torque value (N-m)	1		
Operating temperature	-40°C ~ +105°C		
Wiring type	FW2		
Number of Positions			
02~30P			

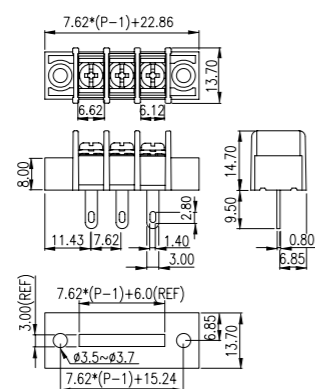
## DT-31-B01W-XX



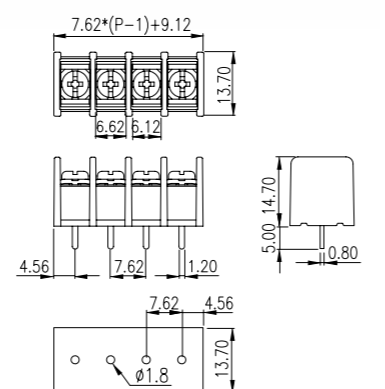
## 7.62mm

Technical Data		UL	
UL use group	B / C	D	
Rated voltage	300V / 150V	300V	
Rated current	15A	15A	
Wire range (AWG)	22~14		
Withstand voltage	AC2000V / 1 minute		
Insulation resistance	≥500MΩ / DC 500V		
Housing	PA66, UL94-V0, black		
Terminal	Brass, Tin plated		
Screw	M3, Steel, Ni plated		
Torque value (N-m)	0.5~1.4		
Operating temperature	-40°C ~ +120°C		
Wiring type	FW2		
Number of Positions			
DT-25-A02W-XX	02~31P		
DT-25-B01W-XX	02~33P		
DT-25-B07W-XX			
DT-25-B14W-XX			

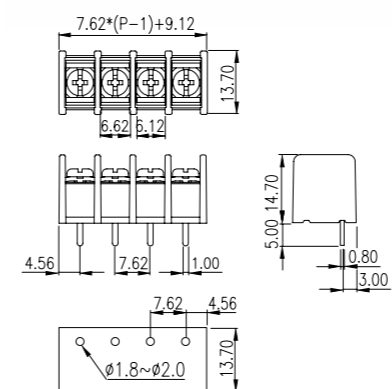
## DT-25-A02W-XX



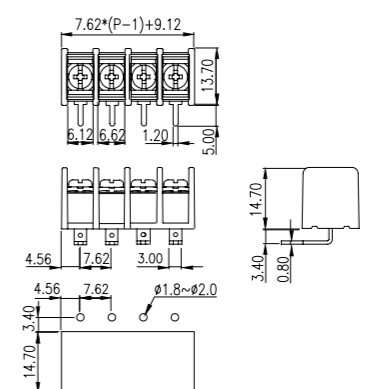
## DT-25-B01W-XX



## DT-25-B07W-XX



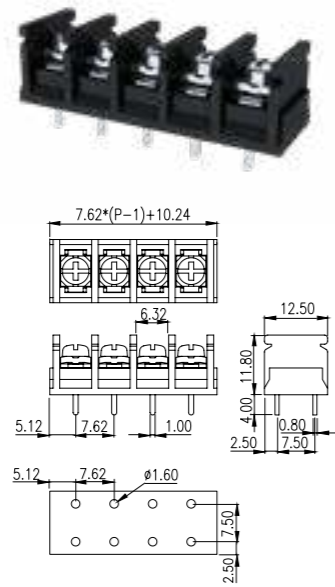
## DT-25-B14W-XX



### 7.62mm

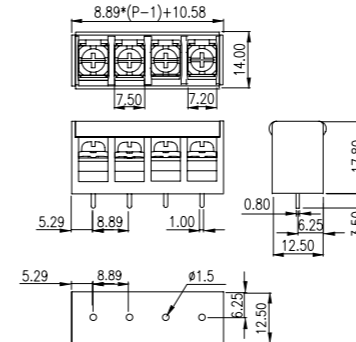
### 0186-10XX

Technical Data		UL	
UL use group	B	D	
Rated voltage	300V	300V	
Rated current	10A	10A	
Wire range (AWG)	22~16		
Withstand voltage	AC2000V / 1 minute		
Insulation resistance	≥1000MΩ / DC 500V		
Housing	PBT(G15), black		
Terminal	Brass, Tin plated		
Screw	M3, Steel, Ni plated		
Torque value (N-m)	0.8		
Operating temperature	-40°C ~ +130°C		
Wiring type	FW2		
Number of Positions			
02~11P			



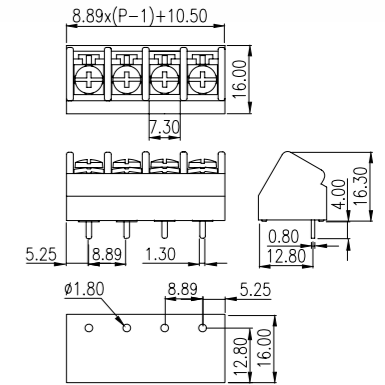
### 8.89mm

Technical Data		UL	
UL use group	B	D	
Rated voltage	300V	300V	
Rated current	15A	15A	
Wire range (AWG)	22~12		
Withstand voltage	AC2000V / 1 minute		
Insulation resistance	≥1000MΩ / DC 500V		
Housing	PBT, UL94-V0, black		
Terminal	Brass, Tin plated		
Screw	M3.5, Steel, Ni plated		
Torque value (N-m)	0.8~1		
Operating temperature	-40°C ~ +130°C		
Wiring type	FW2		
Number of Positions			
02~17P			



### 8.89mm

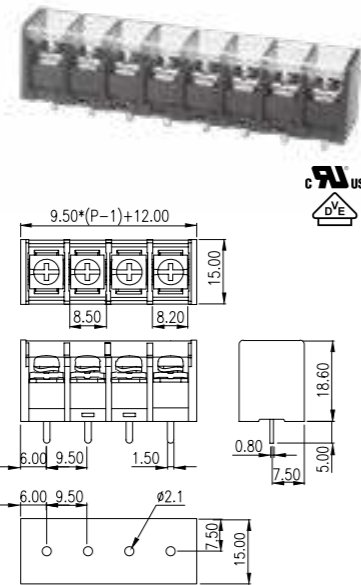
Technical Data		UL	
UL use group	B / C	D	
Rated voltage	300V / 150V	300V	
Rated current	15A	10A	
Wire range (AWG)	22~14		
Withstand voltage	AC2000V / 1 minute		
Insulation resistance	≥1000MΩ / DC 500V		
Housing	PBT, UL94-V0, blue		
Terminal	Brass, Tin plated		
Screw	M3, Brass, Ni plated		
Torque value (N-m)	0.8		
Operating temperature	-40°C ~ +130°C		
Wiring type	FW2		
Number of Positions			
02~26P			



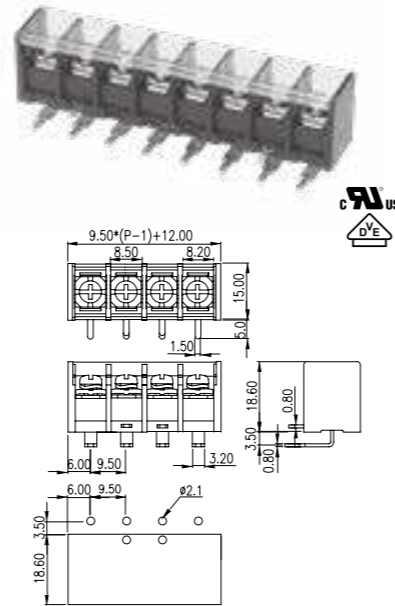
### 9.5mm

### DT-4C-B01W-XX

Technical Data		UL	
UL use group	B	D	
Rated voltage	300V	300V	
Rated current	20A	10A	
Wire range (AWG)	22~12		
Withstand voltage	AC2000V / 1 minute		
Insulation resistance	≥1000MΩ / DC 500V		
Housing	PBT, UL94-V0, black		
Terminal	Brass, Tin plated		
Screw	M3.5, Steel, Ni plated		
Torque value (N-m)	1.1		
Operating temperature	-40°C ~ +130°C		
Wiring type	FW2		
Number of Positions			
02~25P			



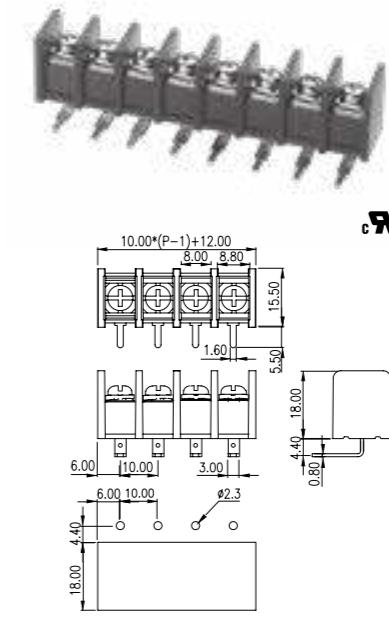
### DT-4C-B14W-XX



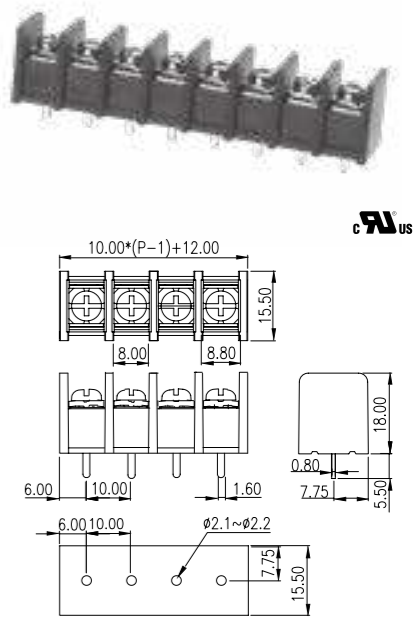
### 10.00mm

### DT-55-B14W-XX

Technical Data		UL	
UL use group	B/C	D	
Rated voltage	300V/150V	300V	
Rated current	25A	10A	
Wire range (AWG)	22~12		
Withstand voltage	AC2000V / 1 minute		
Insulation resistance	≥500MΩ / DC 500V		
Housing	PA66, UL94-V0, black		
Terminal	Brass, Tin plated		
Screw	M3.5, Brass, Ni plated		
Torque value (N-m)	1.8		
Operating temperature	-40°C ~ +120°C		
Wiring type	FW2		
Number of Positions			
02~30P			



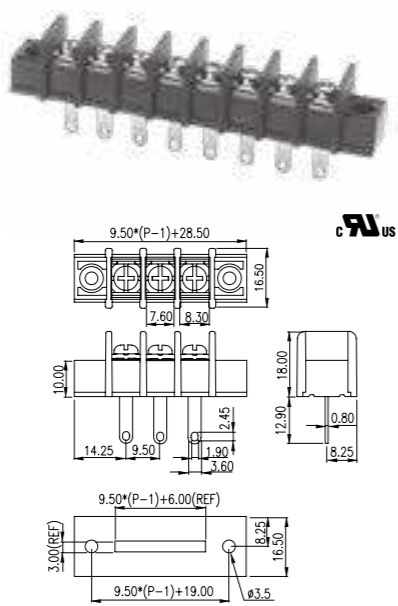
### DT-55-B01W-XX



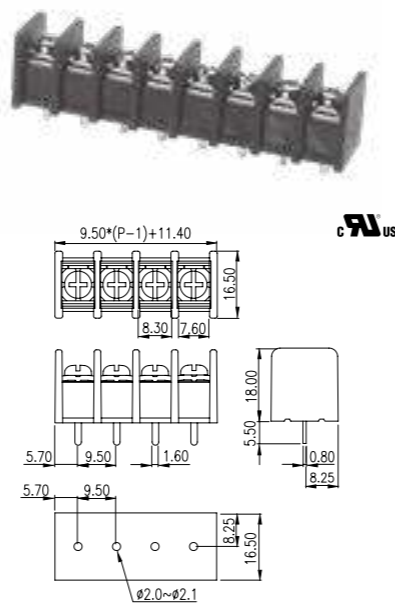
### 9.5mm

### DT-45-A02W-XX

Technical Data		UL	
UL use group	B/C	D	
Rated voltage	300V/150V	300V	
Rated current	25A	10A	
Wire range (AWG)	22~12		
Withstand voltage	AC2000V / 1 minute		
Insulation resistance	≥500MΩ / DC 500V		
Housing	PA66, UL94-V0, black		
Terminal	Brass, Tin plated		
Screw	M3.5, Steel, Ni plated		
Torque value (N-m)	1.4		
Operating temperature	-40°C ~ +120°C		
Wiring type	FW2		
Number of Positions			
DT-45-A02W-XX 02~28P			
DT-45-B01W-XX 02~30P			



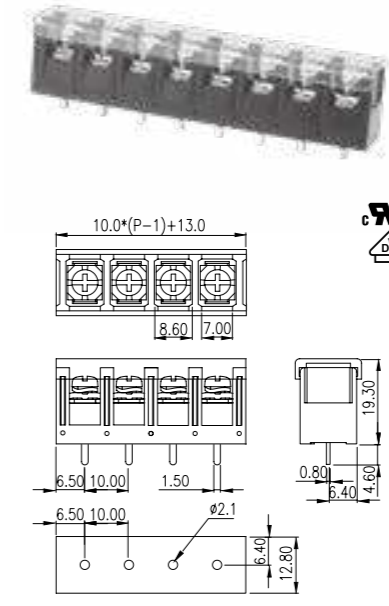
### DT-45-B01W-XX



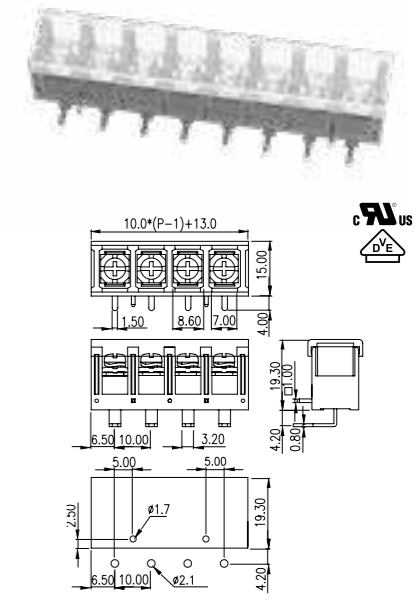
### 10.00mm

### DT-5C-B81W-XX

Technical Data		UL	
UL use group	B/C	D	
Rated voltage	300V	300V	
Rated current	20A	10A	
Wire range (AWG)	22~14		
Withstand voltage	AC2200V / 1 minute		
Insulation resistance	≥1000MΩ / DC 500V		
Housing	PBT, UL94-V0, black		
Terminal	Brass, Tin plated		
Screw	M3.5, Steel, Ni plated		
Torque value (N-m)	1.1		
Operating temperature	-40°C ~ +130°C		
Wiring type	FW2		
Number of Positions			
02~30P			



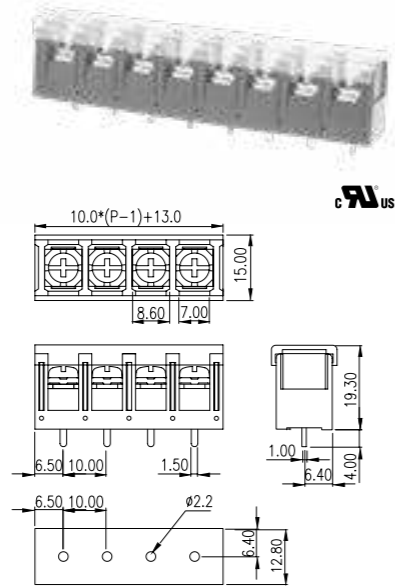
### DT-5C-B84W-XX



### 10.00mm

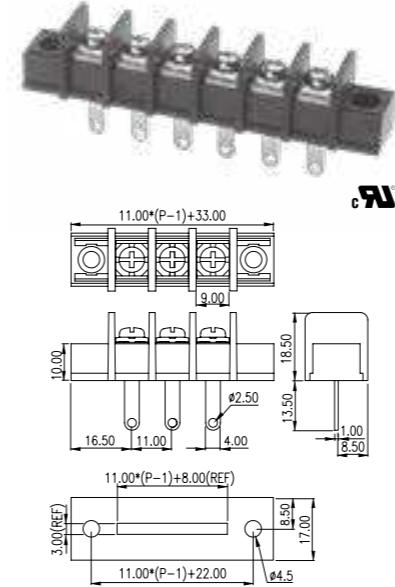
### DT-5C-B01W-XX

Technical Data		UL	
UL use group	B/C	D	
Rated voltage	300V	300V	
Rated current	20A	10A	
Wire range (AWG)	22-14		
Withstand voltage	AC2200V / 1 minute		
Insulation resistance	≥1000MΩ / DC 500V		
Housing	PBT, UL94-V0, black		
Terminal	Brass, Tin plated		
Screw	M4, Steel, Ni plated		
Torque value (N-m)	1.1		
Operating temperature	-40°C ~ +130°C		
Wiring type	FW2		
Number of Positions		02-30P	

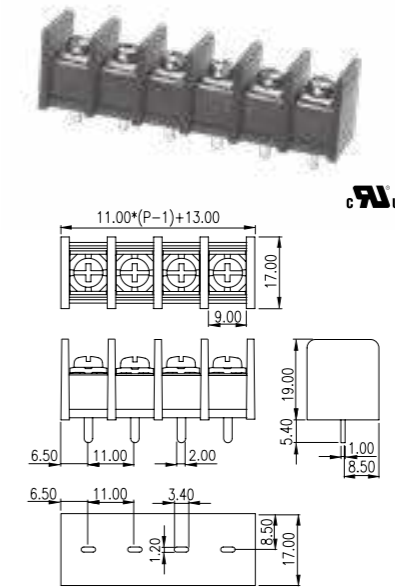


### 11.00mm

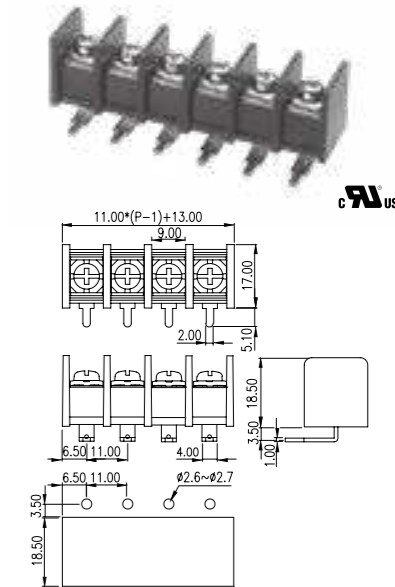
Technical Data		UL	
UL use group	B/C	D	
Rated voltage	300V/150V	300V	
Rated current	25A	10A	
Wire range (AWG)	22-12		
Withstand voltage	AC2000V / 1 minute		
Insulation resistance	≥500MΩ / DC 500V		
Housing	PA66, UL94-V0, black		
Terminal	Brass, Tin plated		
Screw	M4, Steel, Ni plated		
Torque value (N-m)	1.8		
Operating temperature	-40°C ~ +120°C		
Wiring type	FW2		
Number of Positions		02-24P	
DT-65-A02W-XX		02-24P	
DT-65-B01W-XX		02-26P	
DT-65-B14W-XX		02-26P	



### DT-65-B01W-XX



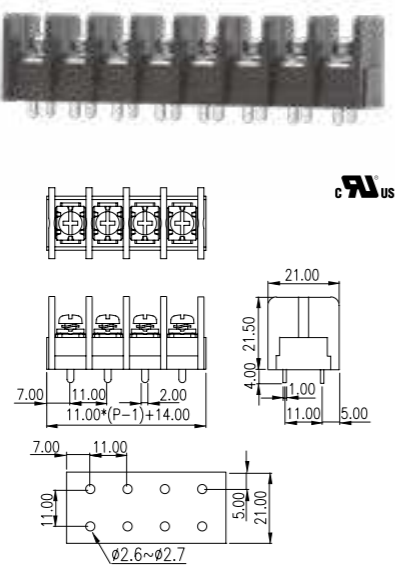
### DT-65-B14W-XX



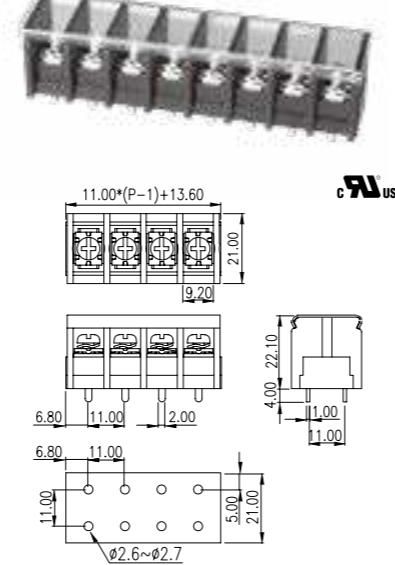
### 11.00mm

### DT-66-B01W-XX

Technical Data		UL	
UL use group	B/C	D	
Rated voltage	300V	600V	
Rated current	40A	5A	
Wire range (AWG)	18-8		
Withstand voltage	AC2000V / 1 minute		
Insulation resistance	≥1000MΩ / DC 500V		
Housing	PBT, UL94-V0, black		
Terminal	Copper, Tin plated		
Screw	M4, Steel, Ni plated		
Torque value (N-m)	1.8		
Operating temperature	-40°C ~ +130°C		
Wiring type	FW2		
Number of Positions		02-26P	
DT-66-B01W-XX		02-26P	
DT-66-C01W-XX		02-24P	



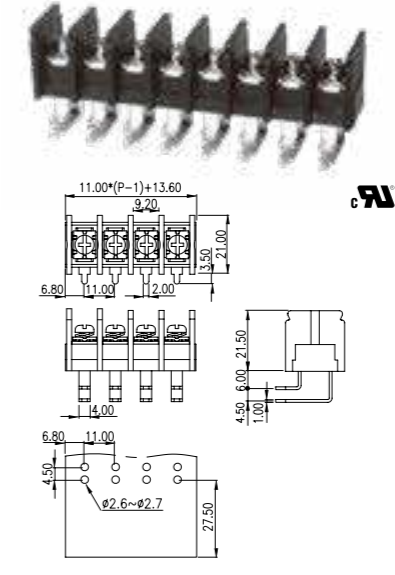
### DT-66-C01W-XX



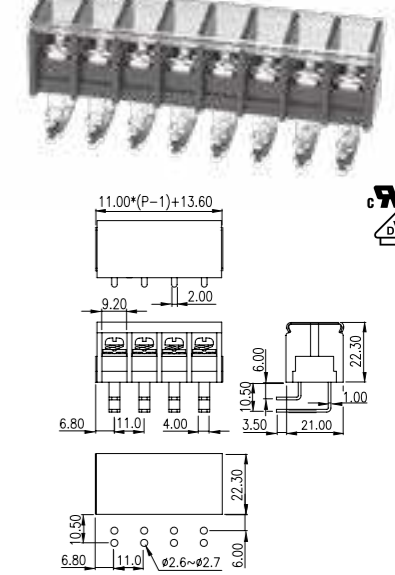
### 11.00mm

Technical Data		UL	
UL use group	B	D	
Rated voltage	300V	300V	
Rated current	40A	10A	
Wire range (AWG)	18-8		
Withstand voltage	AC2500V / 1 minute		
Insulation resistance	≥1000MΩ / DC 500V		
Housing	PBT, UL94-V0, black		
Terminal	Brass, Tin plated		
Screw	M4, Steel, Ni plated		
Torque value (N-m)	1.8		
Operating temperature	-40°C ~ +130°C		
Wiring type	FW2		
Number of Positions		02-24P	

### DT-66-B11W-XX



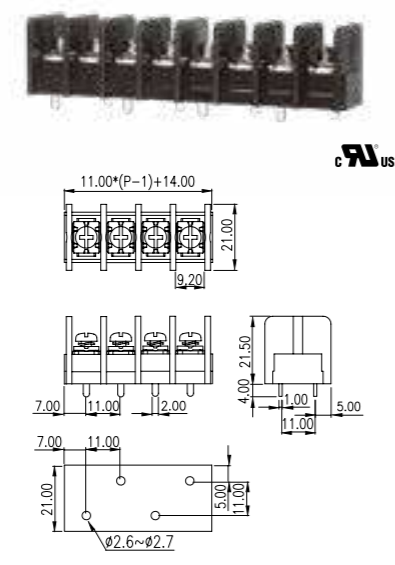
### DT-66-C11W-XX



### 11.00mm

### DT-66-B02W-XX

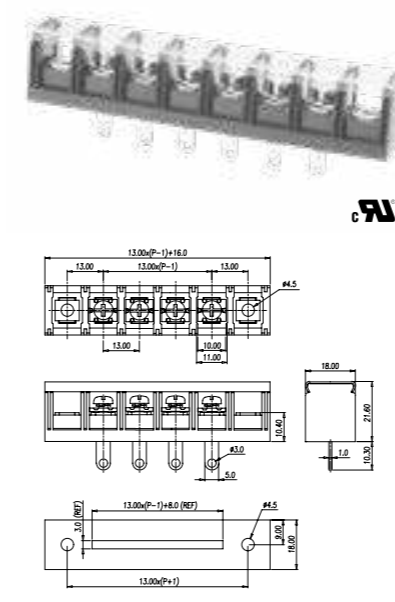
Technical Data		UL	
UL use group	B	C	
Rated voltage	600V	600V	
Rated current	40A	40A	
Wire range (AWG)	18-8		
Withstand voltage	AC2000V / 1 minute		
Insulation resistance	≥1000MΩ / DC 500V		
Housing	PBT, UL94-V0, black		
Terminal	Copper, Tin plated		
Screw	M4, Steel, Ni plated		
Torque value (N-m)	1.8		
Operating temperature	-40°C ~ +130°C		
Wiring type	FW2		
Number of Positions		02-24P	



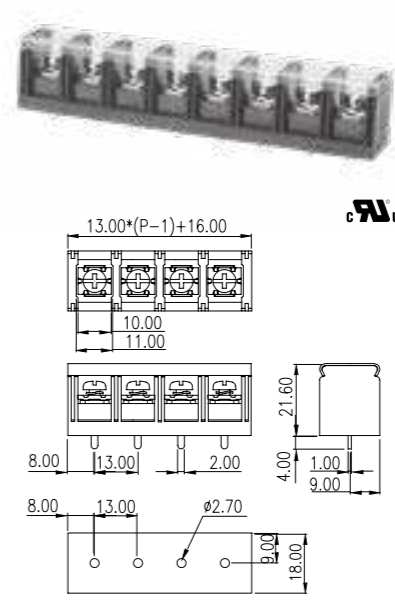
### 13.00mm

Technical Data		UL	
UL use group	B/C	D	
Rated voltage	600V	600V	
Rated current	40A	5A	
Wire range (AWG)	18-8		
Withstand voltage	AC2500V / 1 minute		
Insulation resistance	≥1000MΩ / DC 500V		
Housing	PBT, UL94-V0, black		
Terminal	Brass, Tin plated		
Screw	M4, Steel, Ni plated		
Torque value (N-m)	1.6		
Operating temperature	-40°C ~ +130°C		
Wiring type	FW2		
Number of Positions		02-12P	
DT-7C-A02W-XX		02-12P	
DT-7C-B01W-XX		02-14P	
DT-7C-B18W-XX		02-14P	

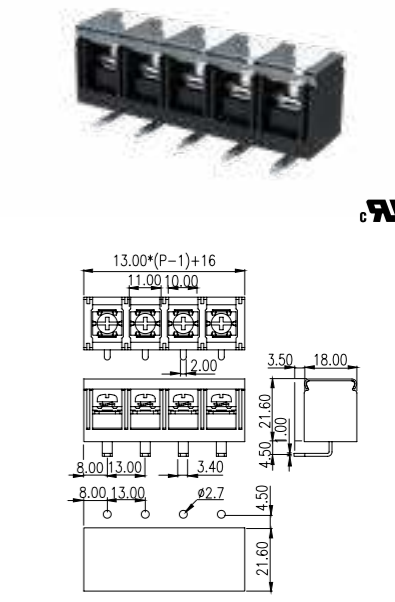
### DT-7C-A02W-XX



### DT-7C-B01W-XX



### DT-7C-B18W-XX

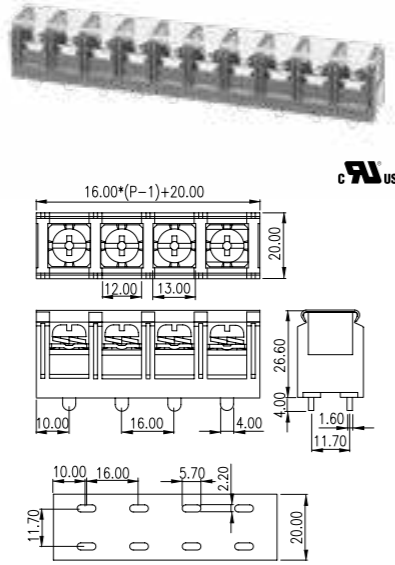


\* UG: B&C Class 300V  
D Class 600V

## 16.00mm

## 0032-11XX

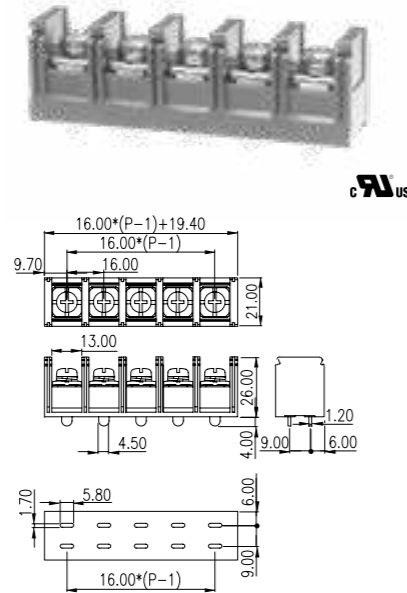
Technical Data		UL	
UL use group	B/C	B/C	B/C
Rated voltage	600V	600V	600V
Rated current	50A	80A	80A
Wire range (AWG)	14~8	6~4	6~4
Withstand voltage	AC3000V / 1 minute		
Insulation resistance	≥1000MΩ / DC 500V		
Housing	PBT, UL94-V0, black		
Terminal	Copper, Tin plated		
Screw	M6, Steel, Ni plated		
Torque value (N-m)	3.1		
Operating temperature	-40°C ~ +130°C		
Wiring type	FW2		
Number of Positions		02~10P	



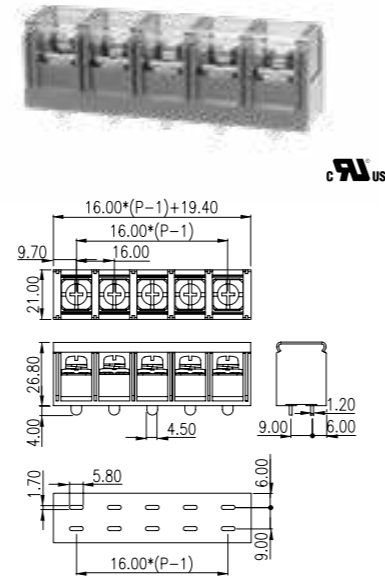
## 16.00mm

## 0166-80XX

Technical Data		UL	
UL use group	B/C	B/C	B/C
Rated voltage	600V	85A / 600V	85A / 600V
Rated current	65A	100A	100A
Wire range (AWG)	14~6	4(sol)~3(str)	4(sol)~3(str)
Withstand voltage	AC2500V / 1 minute		
Insulation resistance	≥1000MΩ / DC 500V		
Housing	PBT, UL94-V0, black		
Terminal	Copper, Tin plated		
Screw	M5, Steel, Zn plated		
Torque value (N-m)	2.4		
Operating temperature	-40°C ~ +130°C		
Wiring type	FW2		
Number of Positions		02~20P	



## 0166-80XXC



## Triple-barrier, single row



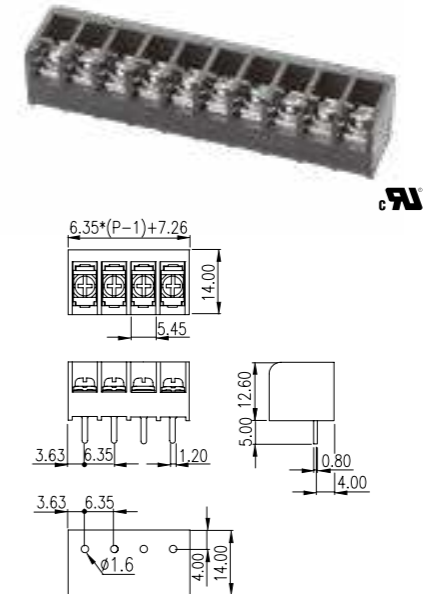
The triple-barrier in single row terminal blocks offer pitches from 6.35mm~16mm and options of various terminal pin designs that are suitable for voltage ratings 300V/10A~600V/65A.

The product range provide a wide variety of screw, terminal and mounting options, fitting a multitude of applications.

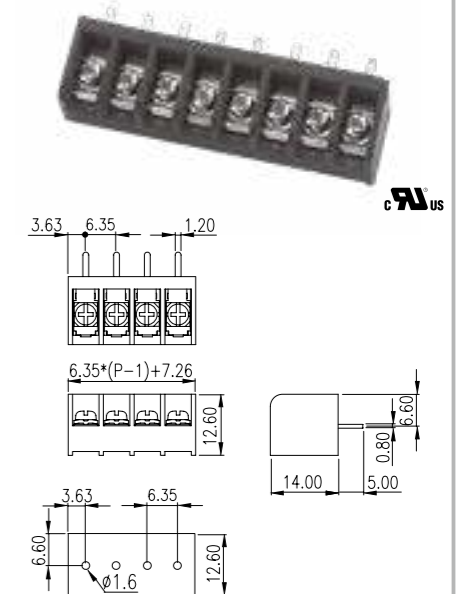
## 6.35mm

## DT-29-B01W-XX

Technical Data		UL	
UL use group	B	D	D
Rated voltage	300V	300V	300V
Rated current	15A	10A	10A
Wire range (AWG)	22~16		
Withstand voltage	AC2000V / 1 minute		
Insulation resistance	≥500MΩ / DC 500V		
Housing	PA66, UL94-V0, black		
Terminal	Brass, Tin plated		
Screw	M2.6, Steel, Ni plated		
Torque value (N-m)	0.5		
Operating temperature	-40°C ~ +120°C		
Wiring type	FW2		
Number of Positions		02~30P	



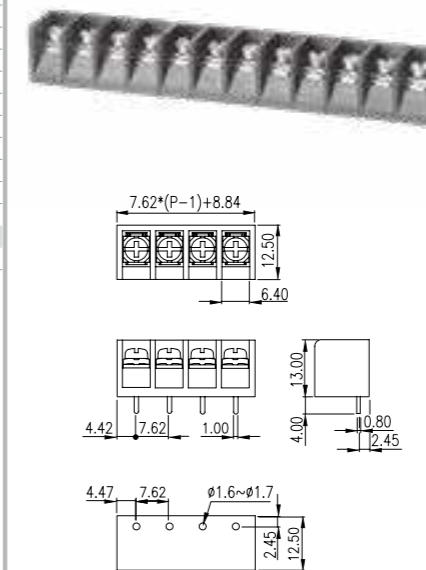
## DT-29-B02W-XX



## 7.62mm

## 0032-09XX

Technical Data		UL	
UL use group	B	D	D
Rated voltage	300V	300V	300V
Rated current	6A	6A	6A
Wire range (AWG)	24~16		
Withstand voltage	AC2500V / 1 minute		
Insulation resistance	≥1000MΩ / DC 500V		
Housing	PBT, UL94-V0, black		
Terminal	Brass, Tin plated		
Screw	M3, Steel, Zn plated		
Torque value (N-m)	0.5~0.6		
Operating temperature	-40°C ~ +130°C		
Wiring type	FW2		
Number of Positions		02~22P	

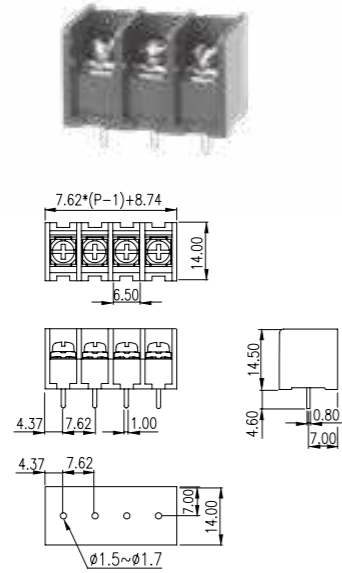




### 7.62mm

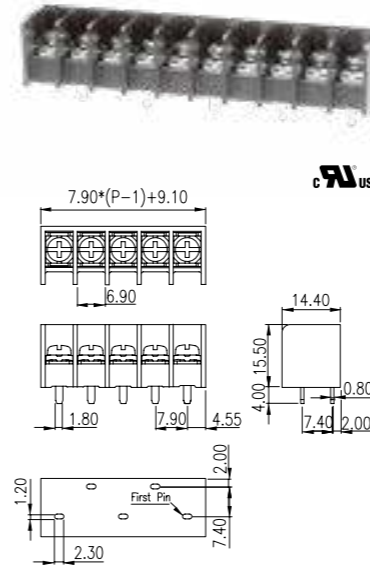
### 0032-14XX

Technical Data	UL	
	B	D
UL use group	B	D
Rated voltage	300V	300V
Rated current	10A	10A
Wire range (AWG)	24~14	
Withstand voltage	AC2000V / 1 minute	
Insulation resistance	≥1000MΩ / DC 500V	
Housing	PBT, UL94-V0, black	
Terminal	Brass, Tin plated	
Screw	M3, Steel, Ni plated	
Torque value (N-m)	0.5~0.6	
Operating temperature	-40°C ~ +130°C	
Wiring type	FW2	
Number of Positions		
02~13P		



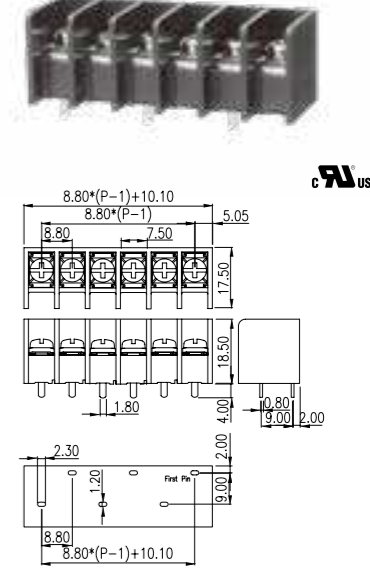
### 7.9mm

Technical Data	UL	
	B/C	B/C
UL use group	B/C	B/C
Rated voltage	300V	300V
Rated current	20A	30A
Wire range (AWG)	22~12	10
Withstand voltage	AC2500V / 1 minute	
Insulation resistance	≥1000MΩ / DC 500V	
Housing	PBT, UL94-V0, black	
Terminal	Copper, Tin plated	
Screw	M3.5, Steel, Zn plated	
Torque value (N-m)	1.4	
Operating temperature	-40°C ~ +130°C	
Wiring type	FW2	
Number of Positions		
02~25P		



### 0167-10XX

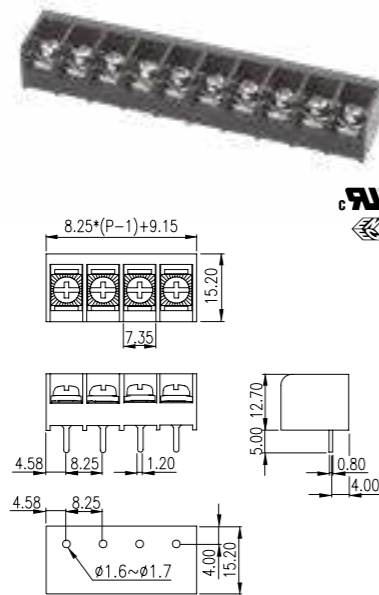
Technical Data	UL	
	B	C
UL use group	B	C
Rated voltage	600V	600V
Rated current	20A	20A
Wire range (AWG)	24~12	
Withstand voltage	AC2500V / 1 minute	
Insulation resistance	≥1000MΩ / DC 500V	
Housing	PBT, UL94-V0, black	
Terminal	Copper, Tin plated	
Screw	M3.5, Steel, Zn plated	
Torque value (N-m)	1	
Operating temperature	-40°C ~ +130°C	
Wiring type	FW2	
Number of Positions		
02~24P		



### 8.25mm

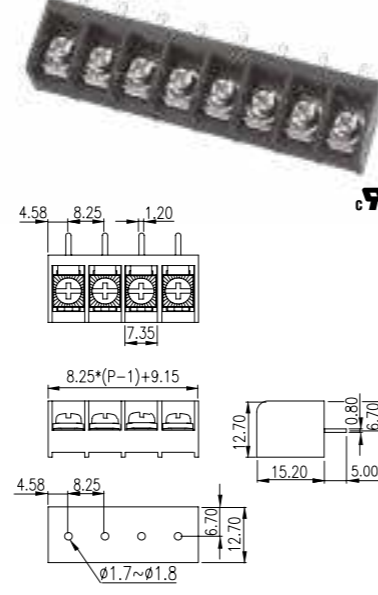
### DT-39-B01W-XX

Technical Data	UL	
	B	D
UL use group	B	D
Rated voltage	300V	300V
Rated current	20A	10A
Wire range (AWG)	22~12	
Withstand voltage	AC2000V / 1 minute	
Insulation resistance	≥500MΩ / DC 500V	
Housing	PA66, UL94-V0, black	
Terminal	Brass, Tin plated	
Screw	#6-32, Steel, Ni plated	
Torque value (N-m)	1.4	
Operating temperature	-40°C ~ +120°C	
Wiring type	FW2	
Number of Positions		
02~33P		



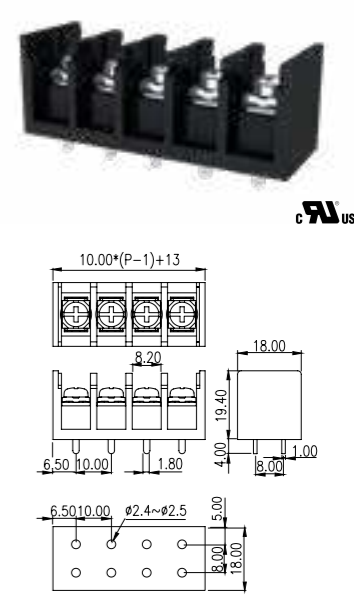
### DT-39-B02W-XX

Technical Data	UL	
	B/C	B/C
UL use group	B/C	B/C
Rated voltage	300V	300V
Rated current	20A	10A
Wire range (AWG)	22~12	
Withstand voltage	AC2000V / 1 minute	
Insulation resistance	≥500MΩ / DC 500V	
Housing	PA66, UL94-V0, black	
Terminal	Brass, Tin plated	
Screw	#6-32, Steel, Ni plated	
Torque value (N-m)	1.4	
Operating temperature	-40°C ~ +120°C	
Wiring type	FW2	
Number of Positions		
02~33P		



### 10.00mm

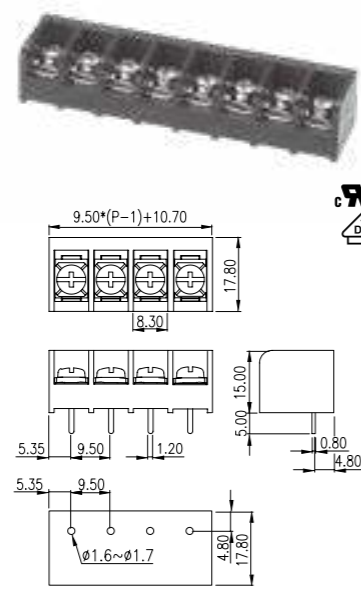
Technical Data	UL	
	B	C
UL use group	B	C
Rated voltage	300V	300V
Rated current	45A	30A
Wire range (AWG)	8	22~10
Withstand voltage	AC2000V / 1 minute	
Insulation resistance	≥1000MΩ / DC 500V	
Housing	PBT, UL94-V0, black	
Terminal	Copper, Tin plated	
Screw	M4, Steel, Ni plated	
Torque value (N-m)	0.8~1	
Operating temperature	-40°C ~ +130°C	
Wiring type	FW2	
Number of Positions		
02~08P		



### 9.5mm

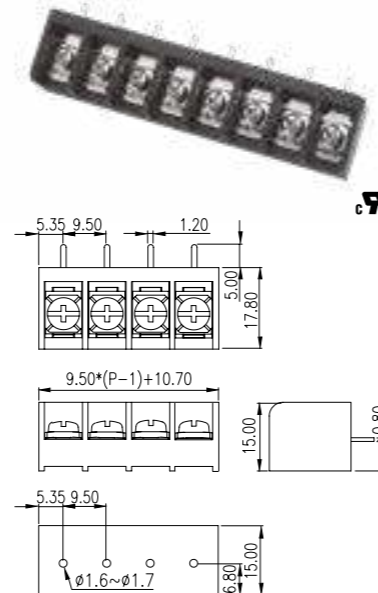
### DT-49-B01W-XX

Technical Data	UL	
	B	D
UL use group	B	D
Rated voltage	300V	300V
Rated current	25A	10A
Wire range (AWG)	22~12	
Withstand voltage	AC2000V / 1 minute	
Insulation resistance	≥500MΩ / DC 500V	
Housing	PA66, UL94-V0, black	
Terminal	Brass, Tin plated	
Screw		
DT-49-B01W-XX	#6-32, Steel, Ni plated	
DT-49-B02W-XX		
DT-49-C91W-XX	M3.5, Steel, Ni plated	
Torque value (N-m)	1.4	
Operating temperature	-40°C ~ +120°C	
Wiring type	FW2	
Number of Positions		
DT-49-B01W-XX	02~31P	
DT-49-B02W-XX		
DT-49-C91W-XX	02~15P	



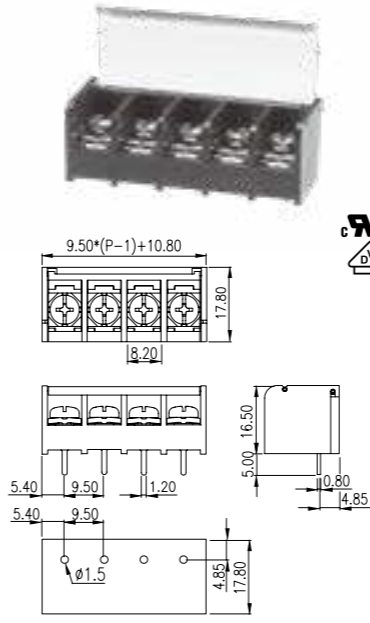
### DT-49-B02W-XX

Technical Data	UL	
	B/C	B/C
UL use group	B/C	B/C
Rated voltage	300V/150V	300V
Rated current	30A	10A
Wire range (AWG)	22~10	
Withstand voltage	AC2000V / 1 minute	
Insulation resistance	≥500MΩ / DC 500V	
Housing	PA66, UL94-V0, black	
Terminal	Brass, Tin plated	
Screw	M4, Steel, Ni plated	
Torque value (N-m)	1.8	
Operating temperature	-40°C ~ +120°C	
Wiring type	FW2	
Number of Positions		
02~26P		



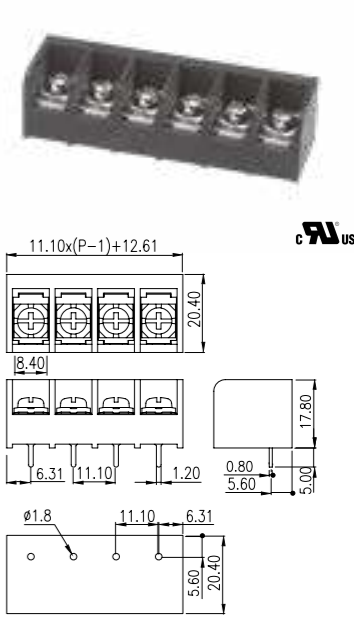
### DT-49-C91W-XX

Technical Data	UL	
	B/C	D
UL use group	B/C	D
Rated voltage	300V/150V	300V
Rated current	30A	10A
Wire range (AWG)	22~10	
Withstand voltage	AC2000V / 1 minute	
Insulation resistance	≥500MΩ / DC 500V	
Housing	PA66, UL94-V0, black	
Terminal	Brass, Tin plated	
Screw	M4, Steel, Ni plated	
Torque value (N-m)	1.8	
Operating temperature	-40°C ~ +120°C	
Wiring type	FW2	
Number of Positions		
02~26P		



### 11.00mm

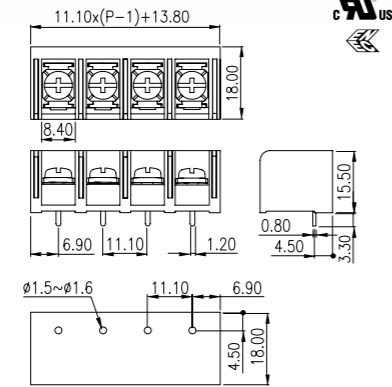
Technical Data	UL	
	B/C	D
UL use group	B/C	D
Rated voltage	300V/150V	300V
Rated current	30A	10A
Wire range (AWG)	22~10	
Withstand voltage	AC2000V / 1 minute	
Insulation resistance	≥500MΩ / DC 500V	
Housing	PA66, UL94-V0, black	
Terminal	Brass, Tin plated	
Screw	M4, Steel, Ni plated	
Torque value (N-m)	1.8	
Operating temperature	-40°C ~ +120°C	
Wiring type	FW2	
Number of Positions		
02~26P		



### 11.00mm

### DT-69-H53W-XX

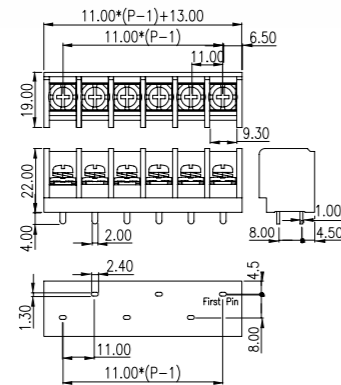
Technical Data		UL	
UL use group	B/C	B/C	B/C
Rated voltage	600V	600V	600V
Rated current	20A	45A	45A
Wire range (AWG)	22~12	10~8	10~8
Withstand voltage	AC3000V / 1 minute		
Insulation resistance	≥1000MΩ / DC 500V		
Housing	PBT, UL94-V0, black		
Terminal	Copper, Tin plated		
Screw	#6-32, Steel, Zn plated		
Torque value (N-m)	1		
Operating temperature	-40°C ~ +130°C		
Wiring type	FW2		
Number of Positions			
02~16P			



### 11.00mm

### 0167-50XX

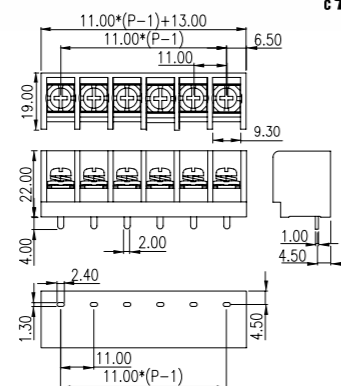
Technical Data		UL	
UL use group	B/C	B/C	B/C
Rated voltage	600V	600V	600V
Rated current	30A	50A	50A
Wire range (AWG)	22~10	8	8
Withstand voltage	AC3000V / 1 minute		
Insulation resistance	≥1000MΩ / DC 500V		
Housing	PBT, UL94-V0, black		
Terminal	Copper, Tin plated		
Screw	M4, Steel, Zn plated		
Torque value (N-m)	1.8		
Operating temperature	-40°C ~ +130°C		
Wiring type	FW2		
Number of Positions			
02~25P			



### 11.00mm

### 0167-52XX

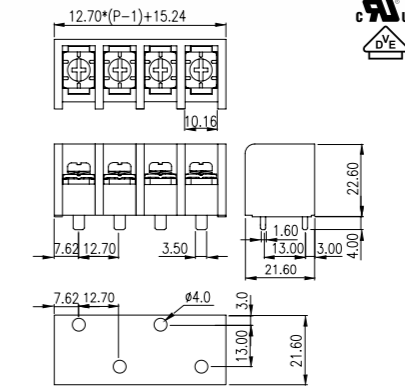
Technical Data		UL	
UL use group	B/C	B/C	B/C
Rated voltage	300V	300V	300V
Rated current	30A	50A	50A
Wire range (AWG)	22~10	8	8
Withstand voltage	AC2500V / 1 minute		
Insulation resistance	≥1000MΩ / DC 500V		
Housing	PBT, UL94-V0, black		
Terminal	Copper, Tin plated		
Screw	M4, Steel, Zn plated		
Torque value (N-m)	1.8		
Operating temperature	-40°C ~ +130°C		
Wiring type	FW2		
Number of Positions			
02~25P			



### 12.7mm

### DT-79-B01W-XX

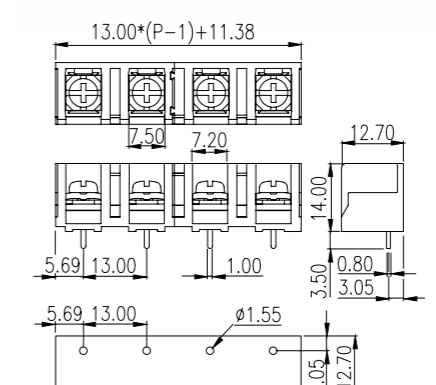
Technical Data		UL	
UL use group	B/C	D	D
Rated voltage	600V	600V	600V
Rated current	45A(str)/43A(sol)	5A	5A
Wire range (AWG)	18~8		
Withstand voltage	AC2500V / 1 minute		
Insulation resistance	≥1000MΩ / DC 500V		
Housing	PBT, UL94-V0, black		
Terminal	Brass, Tin plated		
Screw	M4, Steel, Zn plated		
Torque value (N-m)	1.8		
Operating temperature	-40°C ~ +130°C		
Wiring type	FW2		
Number of Positions			
02~16P			



### 13.00mm

### 0167-70XX

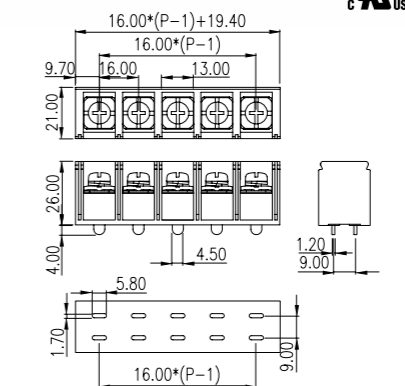
Technical Data		UL	
UL use group	B/C	D	D
Rated voltage	600V	600V	600V
Rated current	20A	5A	5A
Wire range (AWG)	22~12		
Withstand voltage	AC2500V / 1 minute		
Insulation resistance	≥1000MΩ / DC 500V		
Housing	PBT, UL94-V0, black		
Terminal	Brass, Tin plated		
Screw	M3.5, Steel, Ni plated		
Torque value (N-m)	0.8~1		
Operating temperature	-40°C ~ +130°C		
Wiring type	FW2		
Number of Positions			
02~10P			



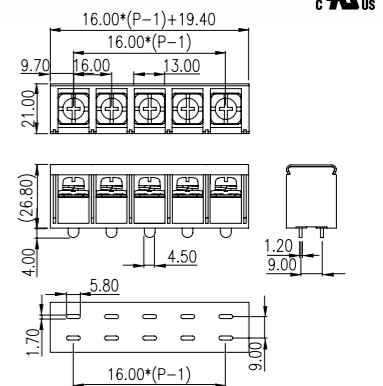
### 16.00mm

### 0167-80XX

Technical Data		UL	
UL use group	B/C	B/C	B/C
Rated voltage	600V	600V	600V
Rated current	65A	85A/100A	85A/100A
Wire range (AWG)	14~6	4(sol)/3~4(str)	4(sol)/3~4(str)
Withstand voltage	AC2500V / 1 minute		
Insulation resistance	≥1000MΩ / DC 500V		
Housing	PBT, UL94-V0, black		
Terminal	Copper, Tin plated		
Screw	M5, Steel, Zn plated		
Torque value (N-m)	2.4		
Operating temperature	-40°C ~ +130°C		
Wiring type	FW2		
Number of Positions			
02~20P			



### 0167-80XXC



# Triple-barrier, Bi-level

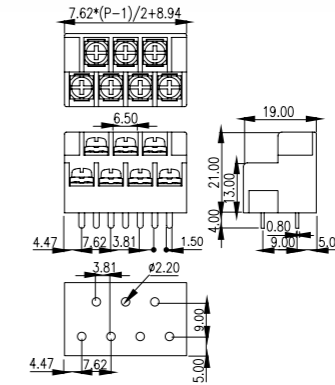
The bi-level barrier terminal block is in triple-barrier housing, the solution is for high density wiring in small spaces. Available pitches from 7.62mm ~14.3mm and options of various terminal pin designs that are suitable for voltage ratings 300V/10A~ 600V/35A. The optional top cover offers additional protection and can have markings printed on for clearer wire indication.



## 7.62mm

Technical Data	UL	
	B	D
UL use group	300V	300V
Rated voltage	20A	10A
Rated current	22~12	
Wire range (AWG)	AC2000V / 1 minute	
Withstand voltage	≥1000MΩ / DC 500V	
Insulation resistance	PBT, UL94-V0, black	
Housing	Brass, Tin plated	
Terminal	M3, Steel, Ni plated	
Screw	0.5~0.6	
Torque value (N-m)	-40°C ~ +130°C	
Operating temperature	FW2	
Wiring type	Number of Positions 03~05.....23P	

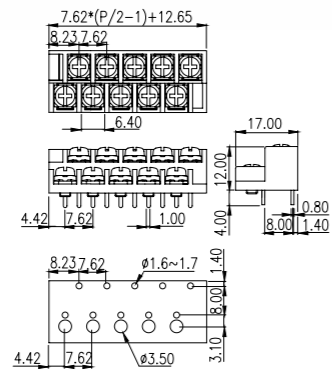
## 0032-23XX



## 7.62mm

## 0032-15XX

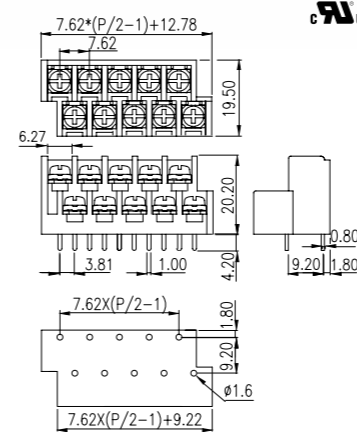
Technical Data	UL	
	B	D
UL use group	300V	300V
Rated voltage	10A	10A
Rated current	24~16	
Wire range (AWG)	AC2000V / 1 minute	
Withstand voltage	≥1000MΩ / DC 500V	
Insulation resistance	PBT, UL94-V0, black	
Housing	Brass, Tin plated	
Terminal	M3, Steel, Zn plated	
Screw	0.5~0.8	
Torque value (N-m)	-40°C ~ +130°C	
Operating temperature	FW2	
Wiring type	Number of Positions 04~32P	



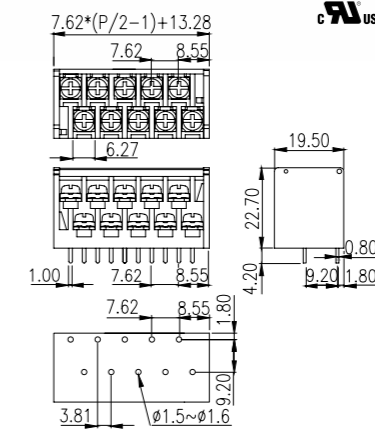
## 7.62mm

Technical Data	UL	
	B	D
UL use group	300V	300V
Rated voltage	15A	15A
Rated current	22~14	
Wire range (AWG)	AC2000V / 1 minute	
Withstand voltage	≥1000MΩ / DC 500V	
Insulation resistance	PBT, UL94-V0, black	
Housing	Brass, Tin plated	
Terminal	M3, Steel, Ni plated	
Screw	0.8	
Torque value (N-m)	-40°C ~ +130°C	
Operating temperature	FW2	
Wiring type	Number of Positions 04~60P	

## 2DD-B01W-XX



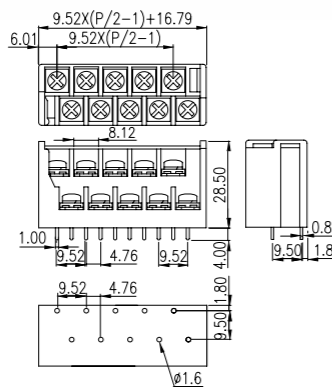
## 2DC-B01W-XX



## 9.52mm

## 4DC-B01W-XX

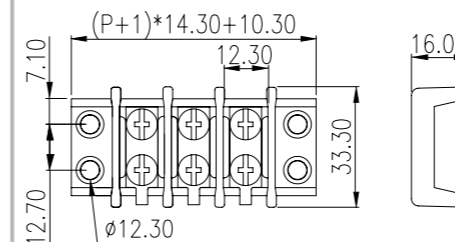
Technical Data	UL	
	B	D
UL use group	300V	300V
Rated voltage	20A	10A
Rated current	18~12(sol)/14~12(str)	
Wire range (AWG)	AC2500V / 1 minute	
Withstand voltage	≥1000MΩ / DC 500V	
Insulation resistance	PBT, UL94-V0, black	
Housing	Brass, Tin plated	
Terminal	M3.5, Steel, Ni plated	
Screw	1.4	
Torque value (N-m)	-40°C ~ +130°C	
Operating temperature	FW2	
Wiring type	Number of Positions 04~48P	



## 14.3mm

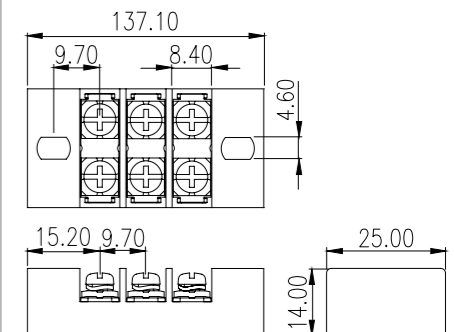
Technical Data	UL	
	B/C	D
UL use group	600V	600V
Rated voltage	35A	5A
Rated current	18~10	
Wire range (AWG)	AC2500V / 1 minute	
Withstand voltage	≥1000MΩ / DC 500V	
Insulation resistance	PBT, UL94-V0, black	
Housing	Brass, Ni plated	
Terminal	#8-32, Steel, Zn plated	
Screw	1.8	
Torque value (N-m)	-40°C ~ +130°C	
Operating temperature	FW1	
Wiring type	Number of Positions 02~16P	

## 0113-10XX



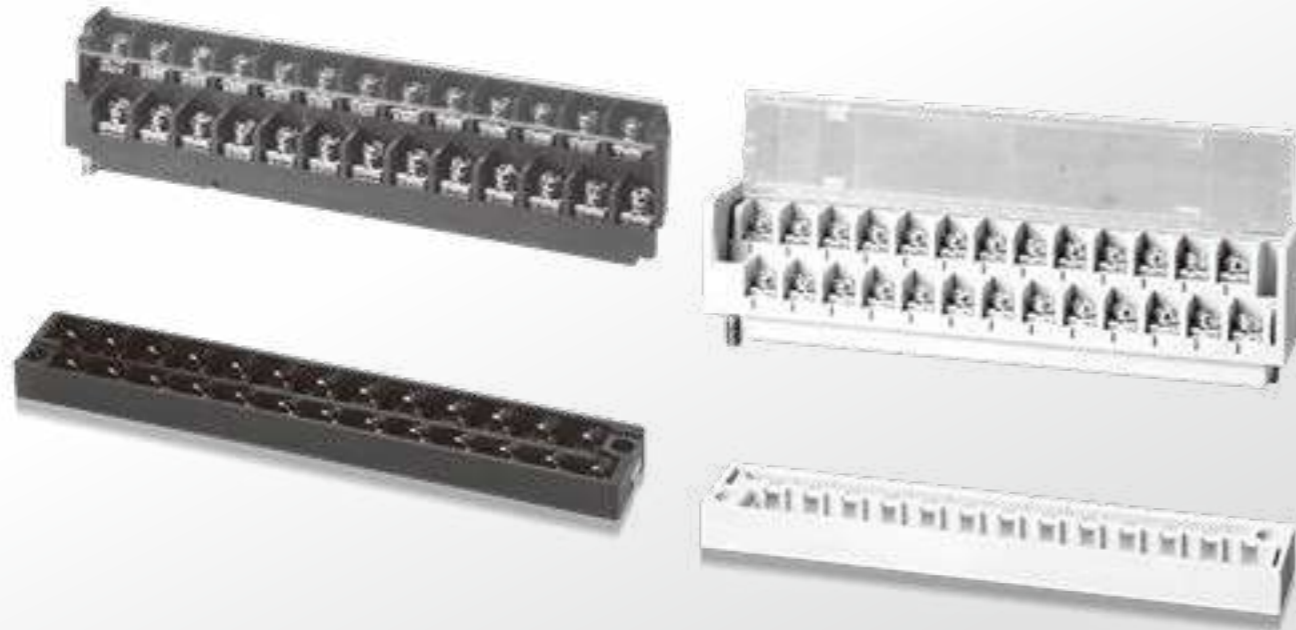
## 9.7mm

Technical Data	UL	
	B	D
UL use group	300V	300V
Rated voltage	15A	10A
Rated current	22~12	
Wire range (AWG)	AC2500V / 1 minute	
Withstand voltage	≥1000MΩ / DC 500V	
Insulation resistance	PBT, UL94-V0, black	
Housing	Brass, Ni plated	
Terminal	M3.5, Steel, Ni plated	
Screw	0.8~1	
Torque value (N-m)	-40°C ~ +130°C	
Operating temperature	FW2	
Wiring type	Number of Positions 12P	

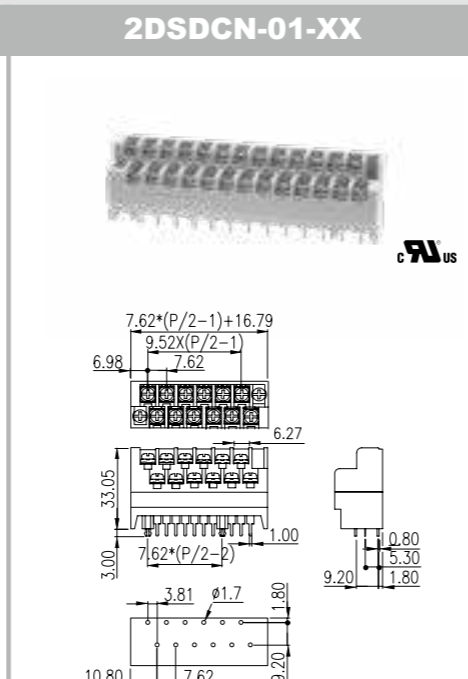
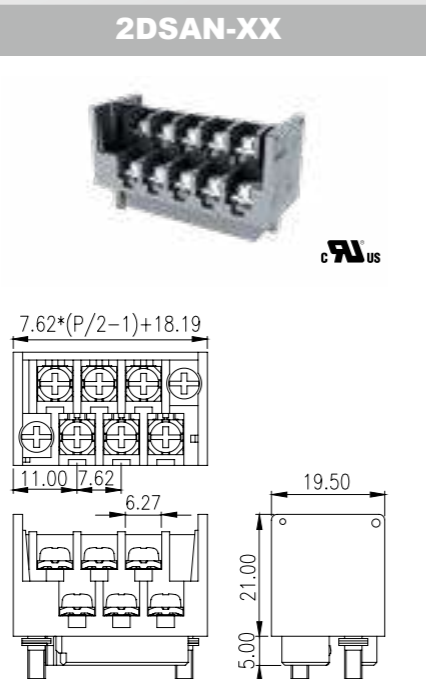


# Pluggable type, Bi-Level, Triple-Barrier

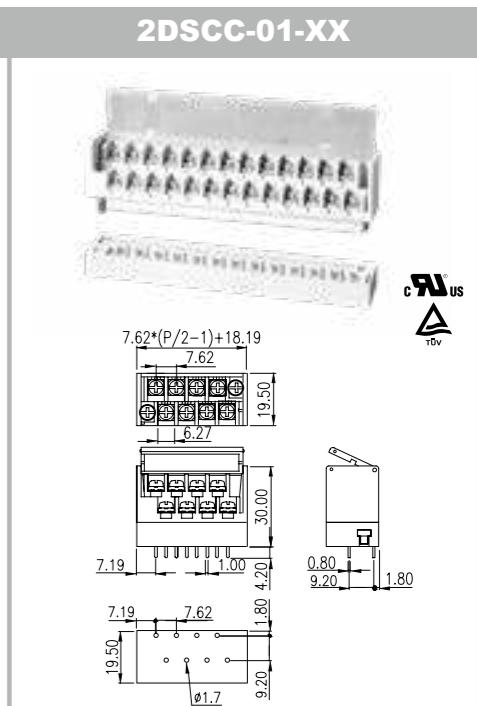
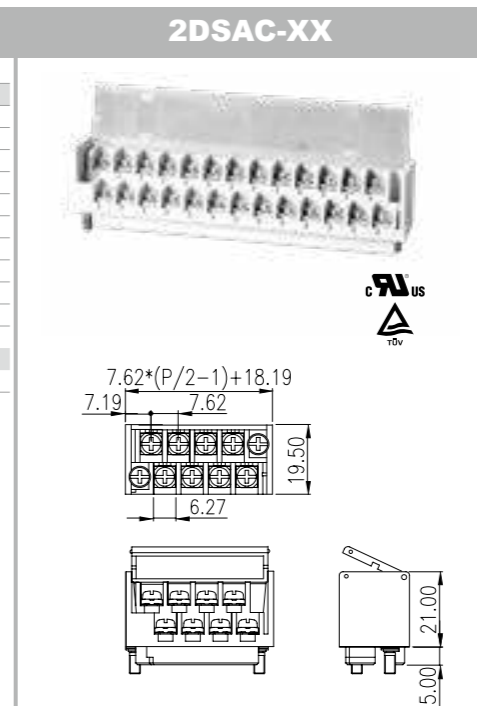
The bi-level triple barrier terminal block offers high density wiring and features a pluggable function that allows more versatile applications. Maintaining equipment is made easier through the use of pluggable terminal blocks which saves time. 7.62mm and 9.52mm pitches are available and the range offers a maximum connection of 36 poles for a single block. Also, markings can be printed on the protection cover.



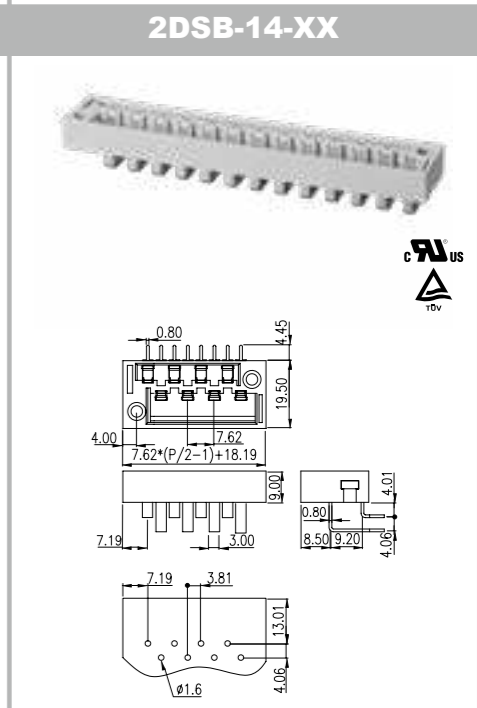
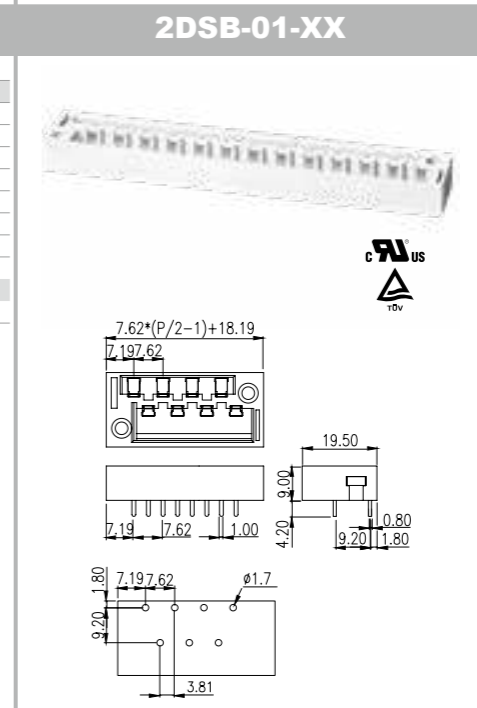
7.62mm		UL	
UL use group	B	D	
Rated voltage	300V	300V	
Rated current	14A	10A	
Wire range (AWG)	22~14		
Withstand voltage	AC2000V / 1 minute		
Insulation resistance	≥1000MΩ / DC 500V		
Housing	PBT, UL94-V0, grey		
Terminal	Phosphor bronze, Gold plated		
Screw	M3, Steel, Ni/Zn plated		
Torque value (N-m)	1		
Operating temperature	-40°C ~ +130°C		
Wiring type	FW2		
Number of Positions			
06~42P			



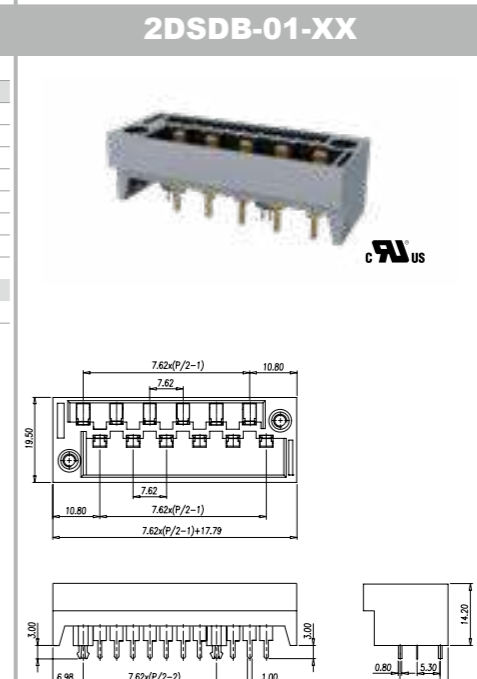
7.62mm		UL	
UL use group	B	D	
Rated voltage	300V	300V	
Rated current	14A	10A	
Wire range (AWG)	22~14		
Withstand voltage	AC2000V / 1 minute		
Insulation resistance	≥1000MΩ / DC 500V		
Housing	PBT, UL94-V0, grey		
Terminal	Phosphor bronze, Gold plated		
Screw	M3, Steel, Ni plated		
Torque value (N-m)	1		
Operating temperature	-40°C ~ +130°C		
Wiring type	FW2		
Number of Positions			
06~42P			



7.62mm		UL	
UL use group	B	D	
Rated voltage	300V	300V	
Rated current	14A	10A	
Withstand voltage	AC2000V / 1 minute		
Insulation resistance	≥1000MΩ / DC 500V		
Housing	PBT, UL94-V0, grey		
Terminal	Copper, Gold plated		
Operating temperature	-40°C ~ +130°C		
Wiring type	FW1		
Number of Positions			
06~42P			



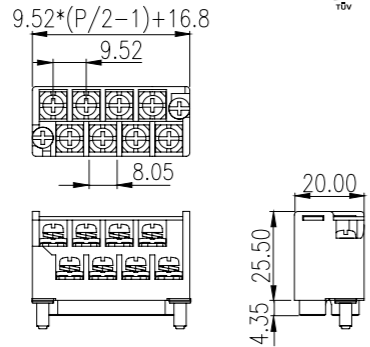
7.62mm		UL	
UL use group	B	D	
Rated voltage	300V	300V	
Rated current	14A	10A	
Withstand voltage	AC2000V / 1 minute		
Insulation resistance	≥1000MΩ / DC 500V		
Housing	PBT, UL94-V0, grey		
Terminal	Copper, Gold plated		
Operating temperature	-40°C ~ +130°C		
Wiring type	FW1		
Number of Positions			
06~42P			



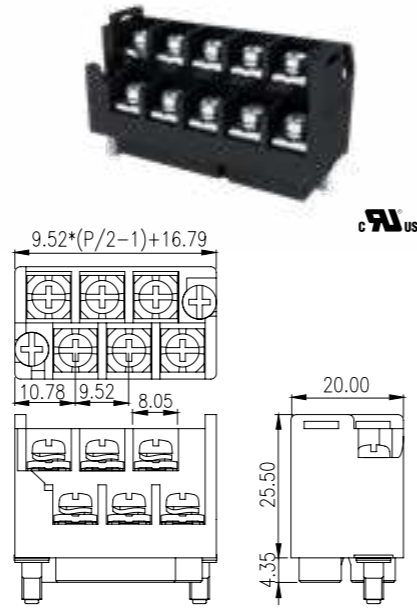
## 9.52mm

### 4DSDAC-XX

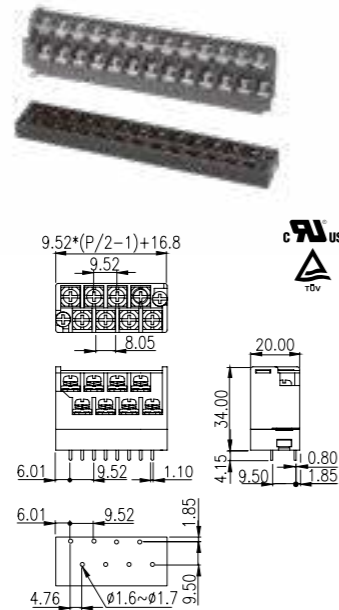
Technical Data		UL	
UL use group	B	D	
Rated voltage	300V	300V	
Rated current	15A	10A	
Wire range (AWG)	18~14		
Withstand voltage	AC2000V / 1 minute		
Insulation resistance	≥1000MΩ / DC 500V		
Housing	PBT, UL94-V0, black		
Terminal	Phosphor bronze, Gold plated		
Screw	M3.5, Steel, Ni plated		
Torque value (N-m)	1.4		
Operating temperature	-40°C ~ +130°C		
Wiring type	FW2		



### 4DSDAN-XX



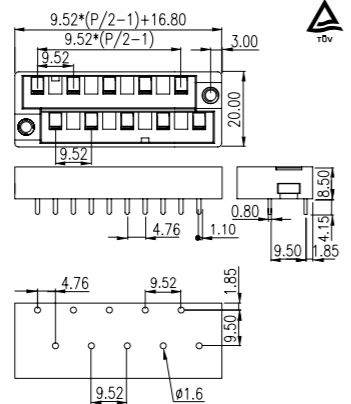
### 4DSDCC-01-XX



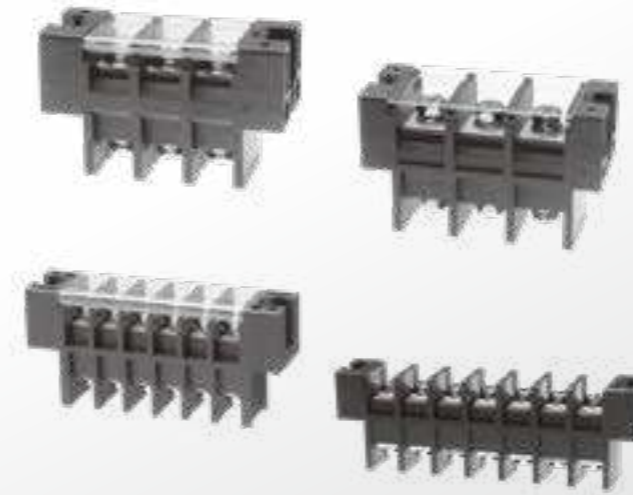
## 9.52mm

### 4DSDDB-01-XX

Technical Data		UL	
UL use group	B	D	
Rated voltage	300V	300V	
Rated current	15A	10A	
Withstand voltage	AC2000V / 1 minute		
Insulation resistance	≥1000MΩ / DC 500V		
Housing	PBT, UL94-V0, black		
Terminal	Brass, Gold plated		
Operating temperature	-40°C ~ +130°C		
Wiring type	FW1		



## Panel Feed-Through



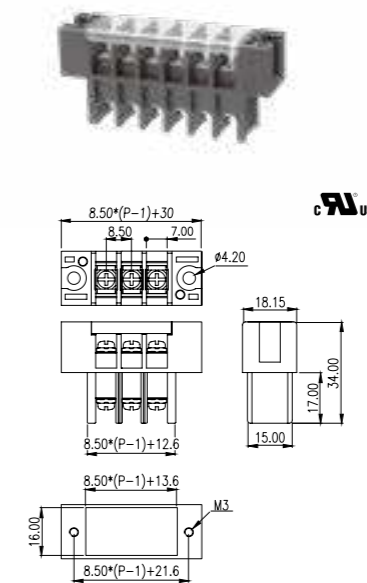
High quality copper material is used for a safer, more effective connection through panels. Available pitches from 8.5mm ~ 27mm with a max. amp rating of 175A and a max. voltage rating of 600V. Top protection covers and washers are optional.

## 8.5mm

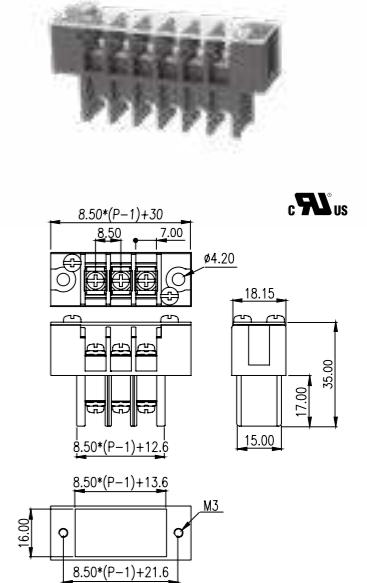
Technical Data		UL	
UL use group	B	C	
Rated voltage	300V	300V	
Rated current	20A	20A	
Wire range (AWG)	22~12		
Withstand voltage	AC2000V / 1 minute		
Insulation resistance	≥1000MΩ / DC 500V		
Housing	PBT, UL94-V0, black		
Terminal	Copper, Tin plated		
Screw	M3, Steel, Ni plated		
Torque value (N-m)	1		
Operating temperature	-40°C ~ +130°C		
Wiring type	FW2		

Number of Positions  
02~15P

### 0168-10XX



### 0168-14XX

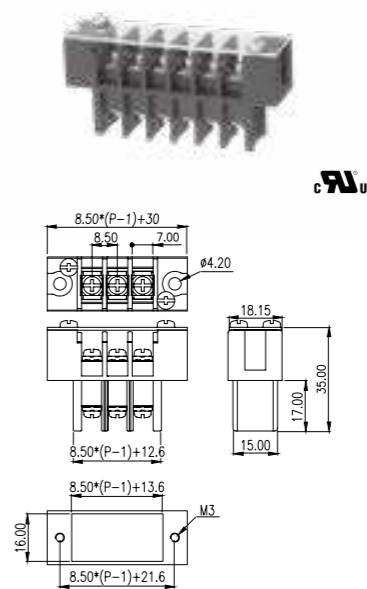


## 8.5mm

Technical Data		UL	
UL use group	B	D	
Rated voltage	300V	300V	
Rated current	20A	20A	
Wire range (AWG)	22~12		
Withstand voltage	AC2000V / 1 minute		
Insulation resistance	≥1000MΩ / DC 500V		
Housing	PBT, UL94-V0, black		
Terminal	Copper, Tin plated		
Screw	M3.5, Steel, Ni plated		
Torque value (N-m)	1		
Operating temperature	-40°C ~ +130°C		
Wiring type	FW2		

Number of Positions  
02~15P

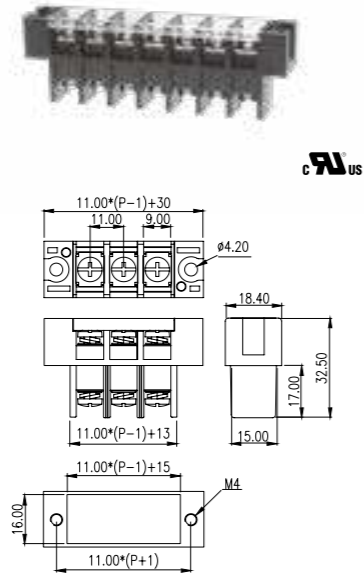
### 0168-15XX



### 11.00mm

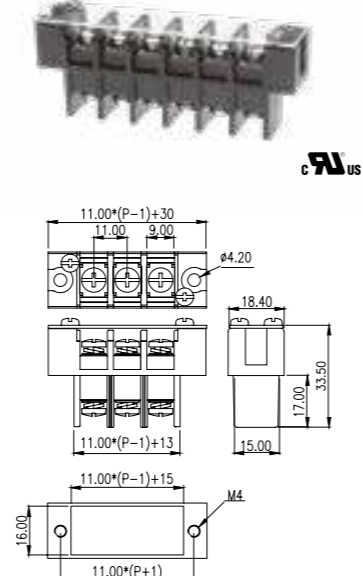
### 0168-20XX

Technical Data		UL	
UL use group	B	C	
Rated voltage	300V	300V	
Rated current	30A	30A	
Wire range (AWG)	22~10		
Withstand voltage	AC2000V / 1 minute		
Insulation resistance	≥1000MΩ / DC 500V		
Housing	PBT, UL94-V0, black		
Terminal	Copper, Tin plated		
Screw	M4, Steel, Ni plated		
Torque value (N-m)	1.8		
Operating temperature	-40°C ~ +130°C		
Wiring type	FW2		
Number of Positions			
02~23P			



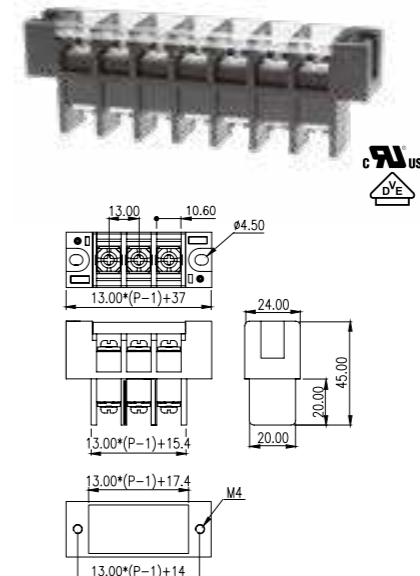
### 0168-24XX

Technical Data		UL	
UL use group	B	C	
Rated voltage	600V	600V	
Rated current	50A	50A	
Wire range (AWG)	22~8		
Withstand voltage	AC2500V / 1 minute		
Insulation resistance	≥1000MΩ / DC 500V		
Housing	PBT, UL94-V0, black		
Terminal	Copper, Tin plated		
Screw	M4, Steel, Zn plated		
Torque value (N-m)	1.8		
Operating temperature	-40°C ~ +130°C		
Wiring type	FW2		
Number of Positions			
02~12P			

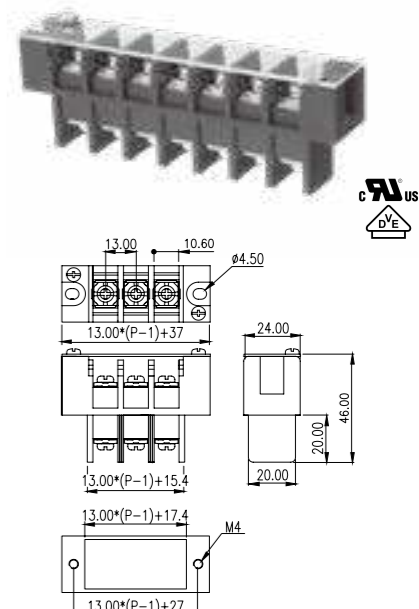


### 13.00mm

### 0168-32XX



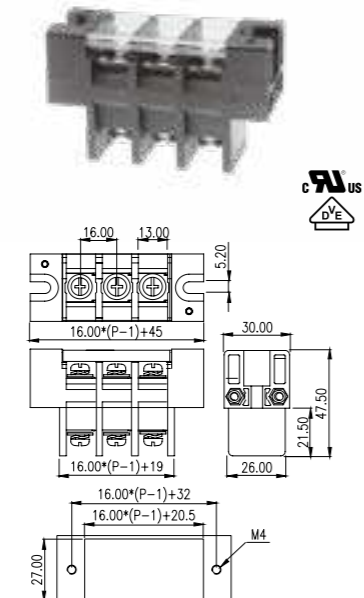
### 0168-35XX



### 16.00mm

### 0168-40XX

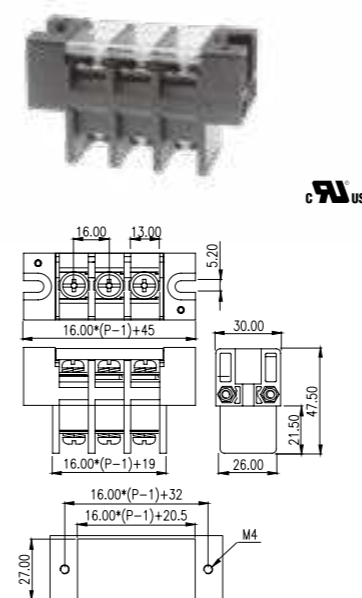
Technical Data		UL	
UL use group	B	C	
Rated voltage	600V	600V	
Rated current	115A	115A	
Wire range (AWG)	14~2		
Withstand voltage	AC2500V / 1 minute		
Insulation resistance	≥1000MΩ / DC 500V		
Housing	PBT, UL94-V0, black		
Terminal	Copper, Tin plated		
Screw	M5, Steel, Ni plated		
Torque value (N-m)	2.5		
Operating temperature	-40°C ~ +130°C		
Wiring type	FW2		
Number of Positions			
02~15P			



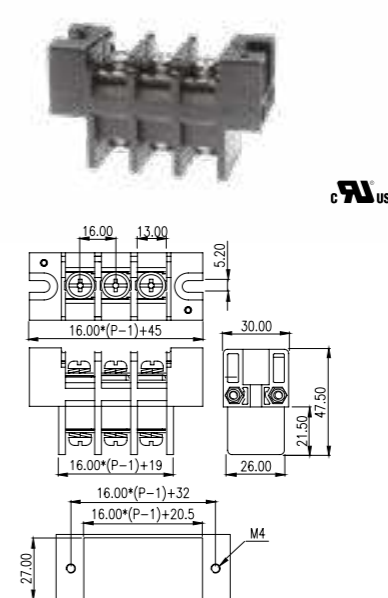
### 16.00mm

### 0168-42XX

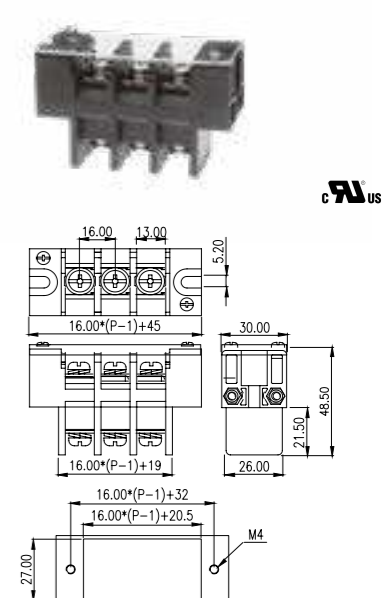
Technical Data		UL	
UL use group	B	C	
Rated voltage	600V	600V	
Rated current	115A	115A	
Wire range (AWG)	14~2		
Withstand voltage	AC2500V / 1 minute		
Insulation resistance	≥1000MΩ / DC 500V		
Housing	PBT, UL94-V0, black		
Terminal	Copper, Tin plated		
Screw	M6, Steel, Ni plated		
Torque value (N-m)	2.5		
Operating temperature	-40°C ~ +130°C		
Wiring type	FW2		
Number of Positions			
02~15P			



### 0168-43XX



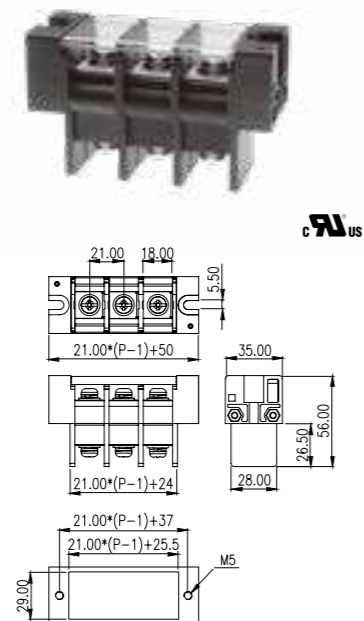
### 0168-45XX



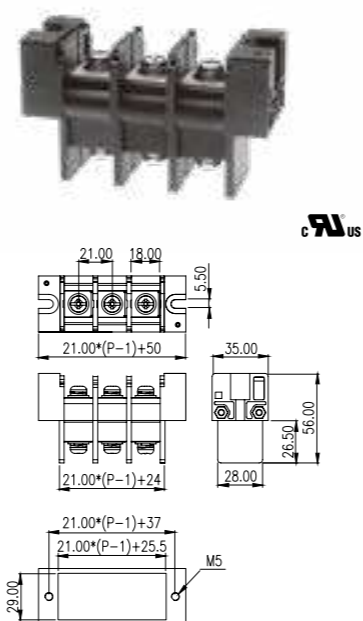
### 21.00mm

### 0168-50XX

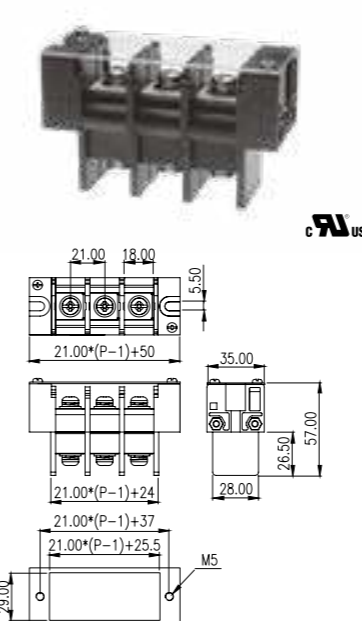
Technical Data		UL	
UL use group	B	C	
Rated voltage	600V	600V	
Rated current	130A	130A	
Wire range (AWG)	8~1		
Withstand voltage	AC2500V / 1 minute		
Insulation resistance	≥1000MΩ / DC 500V		
Housing	PBT, UL94-V0, black		
Terminal	Copper, Tin plated		
Screw	M6, Steel, Ni plated		
Torque value (N-m)	3		
Operating temperature	-40°C ~ +130°C		
Wiring type	FW2		
Number of Positions			
02~15P			



### 0168-51XX



### 0168-54XX



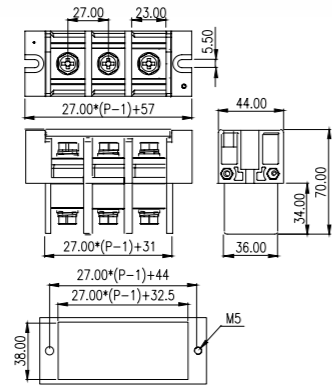
## 27.00mm

### 0168-62XX

Technical Data	UL	
UL use group	B	C
Rated voltage	600V	600V
Rated current	175A	175A
Wire range (AWG)	10-2/0	
Withstand voltage	AC2500V / 1 minute	
Insulation resistance	≥1000MΩ / DC 500V	
Housing	PBT, UL94-V0, black	
Terminal	Copper, Tin plated	
Screw	M8, Steel, Ni plated	
Torque value (N-m)	6.1	
Operating temperature	-40°C ~ +130°C	
Wiring type	FW2	
Number of Positions		
02-15P		



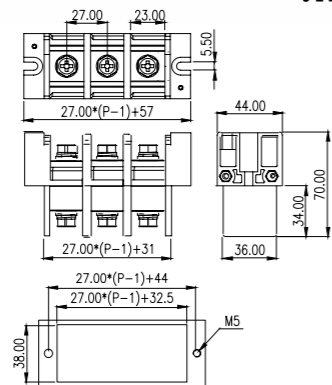
UL



### 0168-63XX



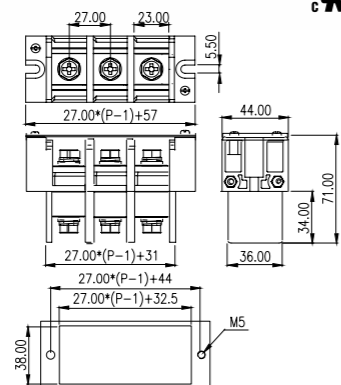
UL



### 0168-65XX



UL

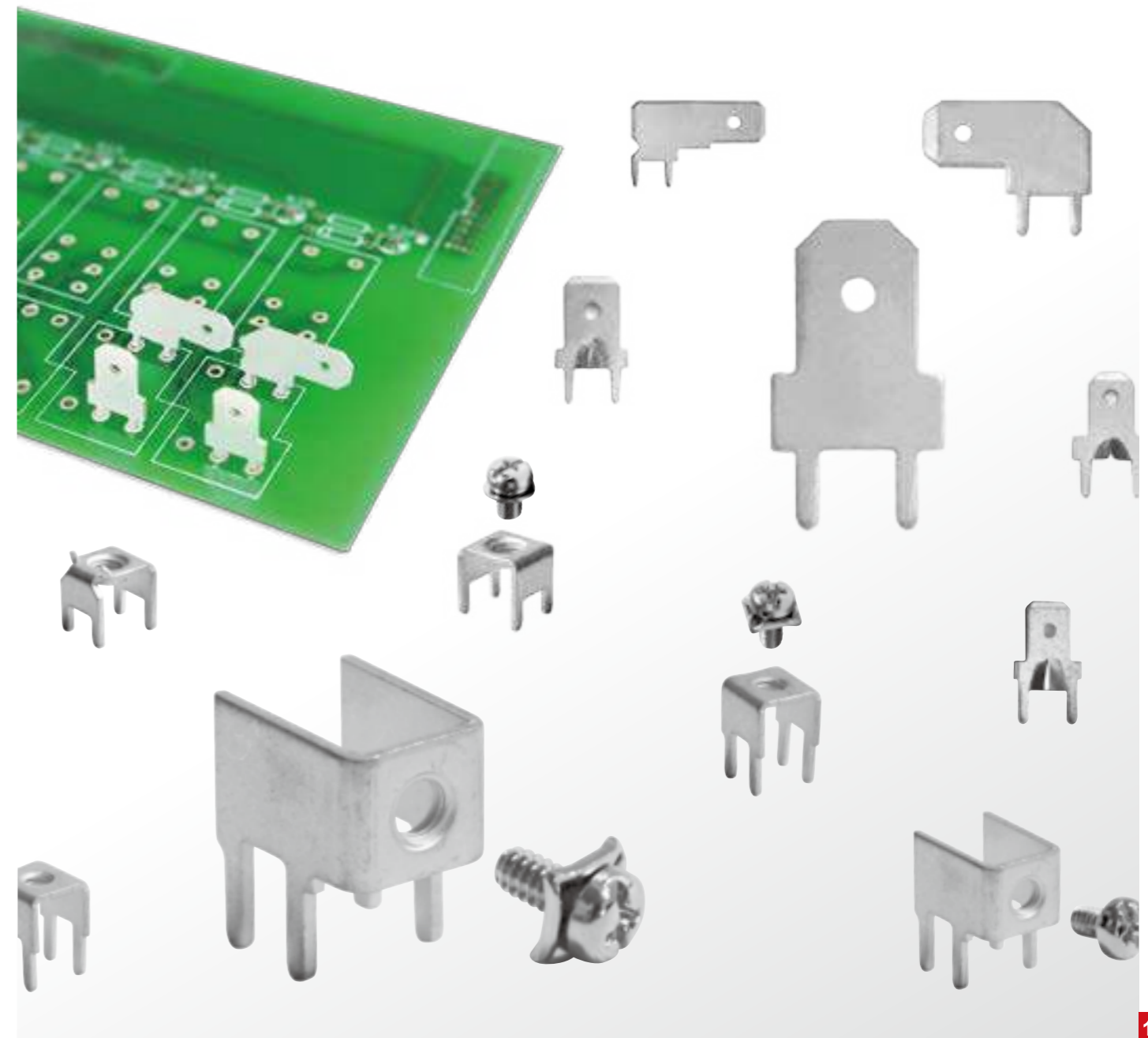


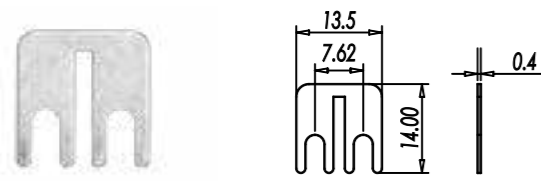
## Quick Terminals / Tabs

Quick terminals meet the dimensional and performance requirements of the standard UL310.

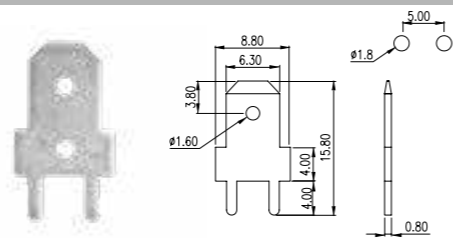
The series of quick terminals is for reliable and cost-effective connections.

These products are designed to terminate wires and components to printed circuit boards (PCBs). Our quick terminals/tabs provide reliable, cost-effective solutions for connecting assemblies with pin contacts to printed circuit boards.

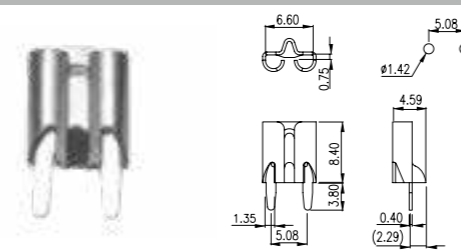


**DS-201**

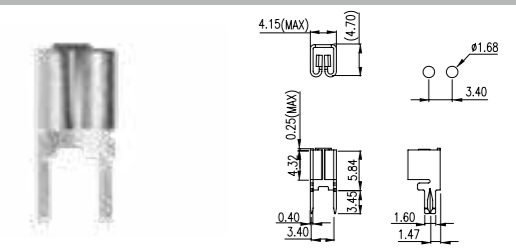
Material	Brass, Tin plated
Rating	15A

**P-850**

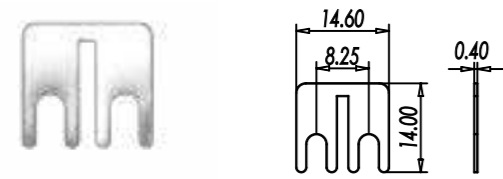
Material	Brass, Tin plated
Rating	30A

**P-610**

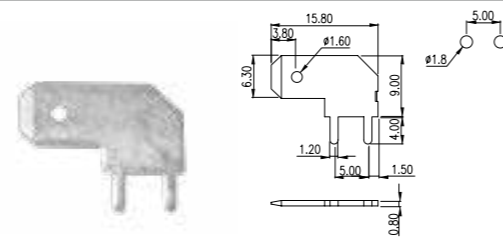
Material	Brass, Tin plated
Rating	30A

**P-620**

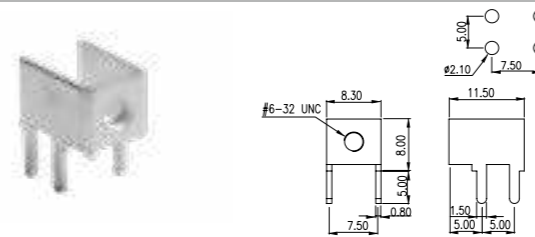
Material	Brass, Tin plated
Rating	20A

**DS-301**

Material	Brass, Tin plated
Rating	20A

**P-860**

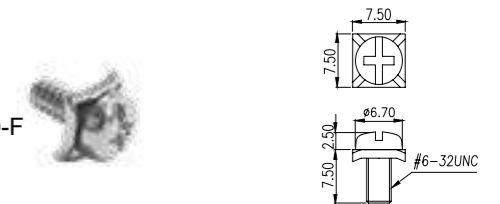
Material	Brass, Tin plated
Rating	30A

**P-810**

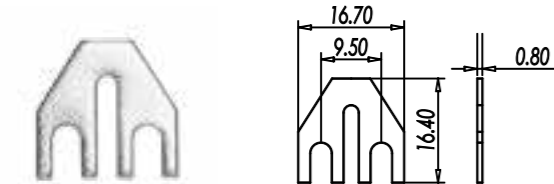
Material	Brass, Tin plated
Rating	80A

**Screw**

S000001100-F



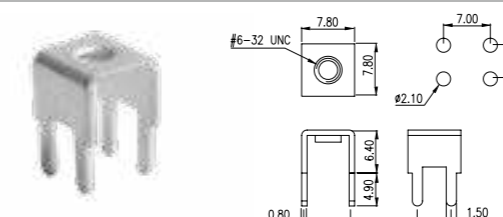
Material	Steel, Ni plated
Size	#6-32
Torque (N-m):	0.8

**DS-401**

Material	Brass, Tin plated
Rating	25A

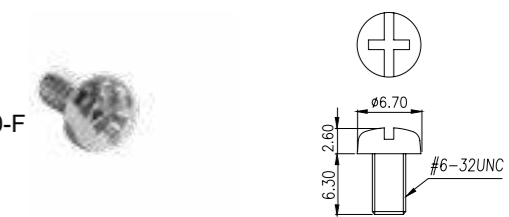
**P-861**

Material	Brass, Tin plated
Rating	30A

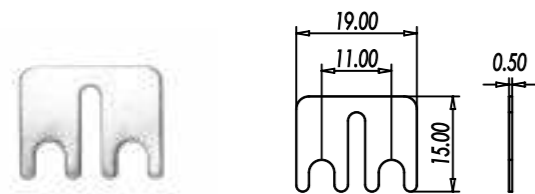
**P-820**

Material	Brass, Tin plated
Rating	50A

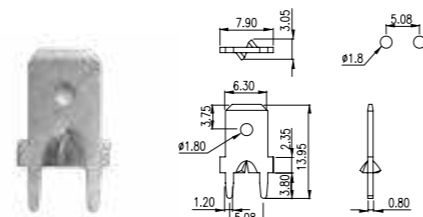
S000001200-F



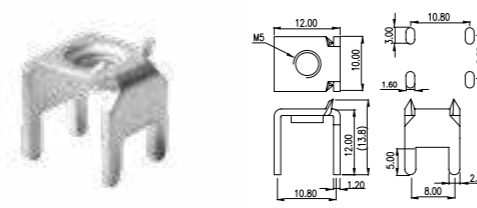
Material	Steel, Ni plated
Size	#6-32
Torque (N-m):	0.8

**DS-601**

Material	Brass, Tin plated
Rating	25A

**P-851**

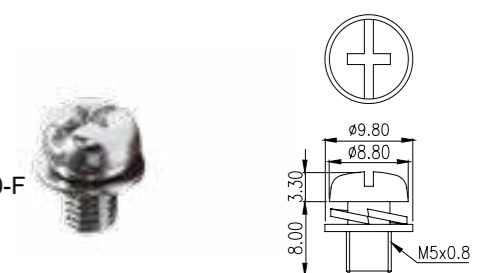
Material	Brass, Tin plated
Rating	30A

**P-830**

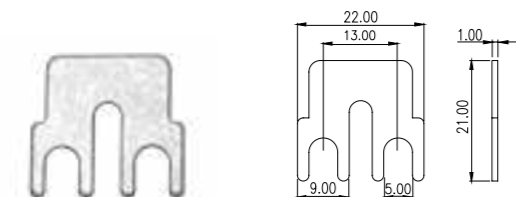
Material	Brass, Tin plated
Rating	85A

**Screw**

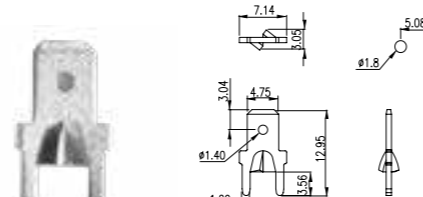
S000004700-F



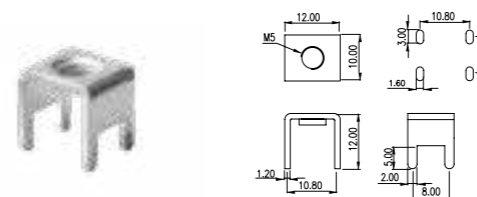
Material	Steel, Zn plated
Size	M5
Torque (N-m):	2

**DS-701**

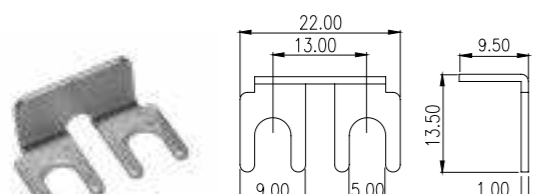
Material	Brass, Tin plated
Rating	40A

**P-871**

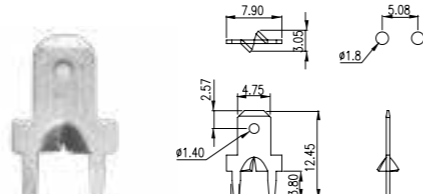
Material	Brass, Tin plated
Rating	30A

**P-831**

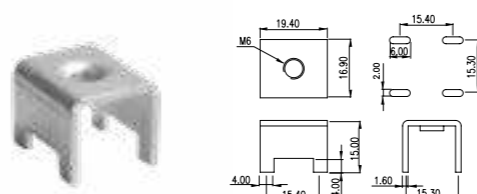
Material	Brass, Tin plated
Rating	85A

**DS-701R**

Material	Brass, Tin plated
Rating	40A

**P-872**

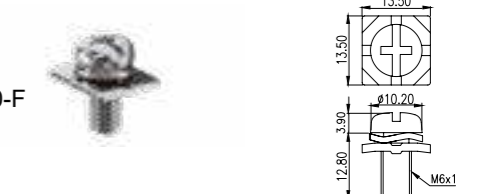
Material	Brass, Tin plated
Rating	30A

**P-840**

Material	Brass, Tin plated
Rating	150A

**Screw**

S000008400-F



Material	Steel, Ni plated
Size	M6
Torque (N-m):	2.5



# Quick PCB Tabs

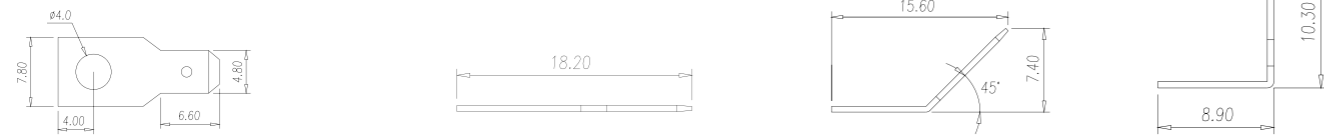
PCB tabs are used to test receptacle insertion/extraction requirements quickly and simply. Double-ended test tab can be used for electrical and temperature rise testing. These terminals are designed according to the electrical test setup outlined in UL 310.

## QT-8001~QT-8003

QT-8001

QT-8002

QT-8003

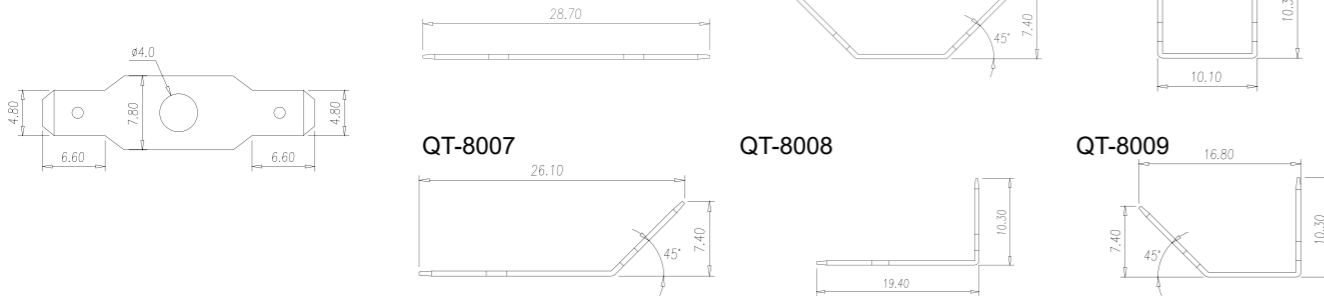


## QT-8004~QT-8009

QT-8004

QT-8005

QT-8006

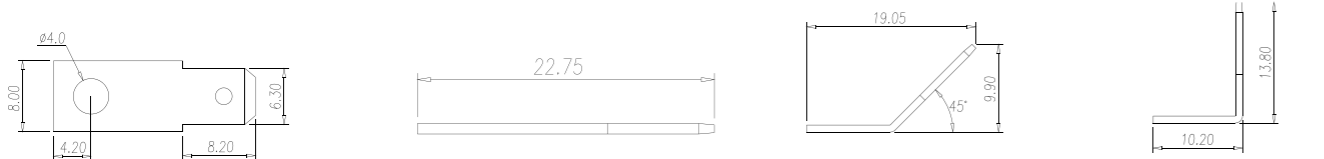


## QT-9001~QT-9003

QT-9001

QT-9002

QT-9003

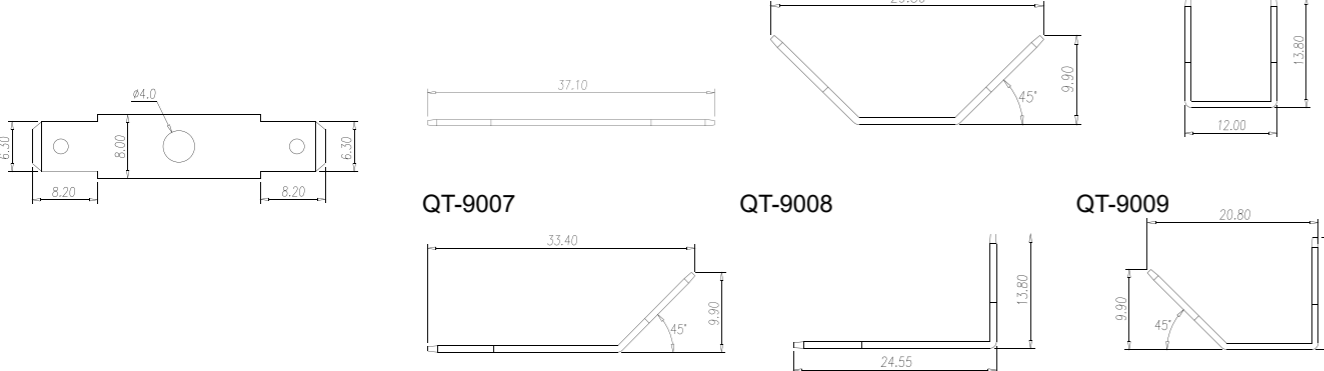


## QT-9004~QT-9009

QT-9004

QT-9005

QT-9006



# Index

Part number	Page	Part number	Page	Part number	Page	Part number	Page
00		0136-10XX	78	0156-13XX	3	0156-2BXX-BK	5
0032-09XX	130	0136-11XX	78	0156-13XXL	3	0156-2CXX-BK	5
0032-11XX	129	0136-20XX	79	0156-15XX	2	0156-2DXX-BK	5
0032-14XX	131	0136-21XX	79	0156-15XXL	2	0156-9AXX	6
0032-15XX	135	0136-22XX	79	0156-16XX	3	0156-9BXX	5
0032-23XX	136	0136-23XX	79	0156-16XXL	3	0156-9CXX	5
0032-4512	136	0137-11XX	81	0156-17XX	3	0156-9DXX	6
0040-0101E	116	0137-40XX	79	0156-17XXL	3	0157-10XXL	4
0040-0102E	116	0137-41XX	79	0156-18XX	3	0157-15XXL	4
0040-0103E	116	0138-10XX	78	0156-18XXL	3	0157-1BXX	4
0040-0104E	116	0138-11XX	78	0156-19XX	3	0159-01XX	7
0040-0105E	116	0138-42XXL20	80	0156-19XXL	3	0159-03XX	7
0040-0106E	116	0138-50XX	79	0156-1AXX-BK	3	0159-04XX	7
0040-0107E	116	0138-50XXL	79	0156-1BXX-BK	2	0159-05XX	8
0040-0108E	116	0138-50XXSMDWR	78	0156-1CXX-BK	3	0159-07XX	8
0040-0212E	116	0138-51XX	79	0156-1DXX-BK	3	0159-08XX	8
0040-0213E	116	0138-51XXL	79	0156-20XX-BK	5	0159-11XX	7
0040-0214E	116	0138-60XX	81	0156-20XX-BK-WR	72	0159-11XXL	7
0040-0215E	116	0138-60XXL	81	0156-20XXL	5	0159-11XXLWR	72
0040-0216E	116	0138-61XX	81	0156-20XXLWR	72	0159-11XXWR	72
0040-0217E	116	0138-61XXL	81	0156-21XX-BK	5	0159-12XX	7
0040-0218E	116	0138-70XX	82	0156-21XX-BK	6	0159-12XXL	7
0040-0219E	116	0138-76XX	82	0156-21XX-BK-WR	72	0159-12XXLWR	72
0040-0220E	116	0141-01XX	80	0156-21XXL	5	0159-12XXWR	72
0040-0221E	116	0141-21XX	81	0156-21XXL	6	0159-13XX	8
0040-0222E	116	0141-22XX	80	0156-21XXLWR	72	0159-13XXL	8
0040-0223E	116	0141-24XX	81	0156-22XX-BK	6	0159-13XXLWR	72
0040-0224E	116	0150-20XX	27	0156-22XXL	6	0159-13XXWR	72
0040-0225E	116	0150-21XX	27	0156-24XX-BK	5	0159-31XX	7
0040-0226E	116	0150-26XX	27	0156-24XX-BK-WR	72	0159-31XXL	7
0040-0227E	116	0150-30XX	28	0156-24XXL	5	0159-31XXLWR	72
0040-0228E	116	0150-31XX	28	0156-24XXLWR	72	0159-31XXWR	72
0040-0229E	116	0150-36XX	28	0156-25XX-BK	5	0159-32XX	7
0040-0301E	116	0150-40XX	28	0156-25XX-BK-WR	72	0159-32XXL	7
0040-0302E	116	0150-46XX	28	0156-25XXL	5	0159-32XXLWR	72
0040-0303E	116	0151-01XX	80	0156-25XXLWR	72	0159-32XXWR	72
0040-0305E	116	0151-01XXL	80	0156-26XX-BK	5	0159-33XX	8
0040-0308E	116	0151-02XX	80	0156-26XX-BK	6	0159-33XXL	8
0040-0311E	116	0151-02XXL	80	0156-26XX-BK-WR	72	0159-33XXLWR	72
0040-0314E	116	0152-01XX	81	0156-26XXL	5	0159-33XXWR	72
0040-0316E	116	0152-02XX	82	0156-26XXL	6	0159K1L	8
0040-0318E	116	0153-01XX	82	0156-26XXLWR	72	0161-01XX	105
0040-0320E	116	0153-02XX	82	0156-27XX-BK	6	0161-02XX	105
0040-0322E	116	0153-41XX	82	0156-27XXL	6	0161-03XX	105
0040-0324E	116	0153-91XX	82	0156-29XX-BK	5	0161-04XX	105
0040-0326E	116	0156-10XX	2	0156-29XX-BK-WR	72	0161-11XX	105
01		0156-10XXL	2	0156-29XXL	5	0161-12XX	105
0113-10XX	136	0156-12XX	3	0156-29XXLWR	72	0161-13XX	105
0121-01XX	33	0156-12XXL	3	0156-2AXX-BK	5	0161-14XX	105

Part number	Page	Part number	Page	Part number	Page	Part number	Page
0162-01XX	37	0177-33XX	83	0191-01XXC	36	0225-09XX	10
0162-06XX	37	0177-51XX	84	0191-02XX	36	0225-0AXX	10
0162-11XX	37	0177-53XX	84	0191-02XXC	36	0225-13XX	11
0162-12XX	37	0177-76XX	84	0191-04XX	36	0225-13XXL	11
0162-A1XX	37	0177-78XX	84	0191-04XXC	36	0225-14XX	11
0162-A2XX	37	0177-81XX	83	0191-05XX	36	0225-14XXL	11
0162-A6XX	37	0177-83XX	83	0191-06XX	35	0225-16XX	12
0164-01XX	37	0177-86XX	83	0191-06XXC	35	0225-16XXL	12
0164-01XX(T)	37	0177-88XX	83	0191-11XXTH	36	0225-17XX	12
0164-02XX	37	0177-B3XX	84	0191-12XXTH	36	0225-17XXL	12
0164-11XX	37	0181-A1XX	104	0191-16XXTH	35	0225-23XX	11
0164-11XXL	37	0181-A3XX	104	<b>02</b>		0225-23XXL	11
0164-A1XX	37	0183-01XX	53	0221-20XX	19	0225-24XX	11
0164-A1XX(T)	37	0183-01XXTXX	53	0221-21XX	20	0225-24XXL	11
0166-80XX	129	0183-11XX	53	0221-22XX-BK	19	0225-26XX	12
0166-80XXC	129	0183-11XXTXX	53	0221-22XXL	19	0225-26XXL	12
0167-10XX	132	0184-11XX	17	0221-23XXL	19	0225-27XX	12
0167-50XX	133	0184-13XX	17	0221-24XX	20	0225-27XXL	12
0167-52XX	133	0184-15XX	17	0221-25XX-BK	19	0225-33XX	11
0167-70XX	134	0184-16XX	17	0221-25XXL	19	0225-33XXL	11
0167-80XX	134	0184-31XX	18	0221-26XXL	20	0225-34XX	11
0167-80XXC	134	0184-33XX	18	0221-27XX-BK	20	0225-34XXL	11
0167-90XX	132	0184-35XX	18	0221-27XXL	20	0225-36XX	12
0168-10XX	140	0184-36XX	18	0221-28XX	20	0225-36XXL	12
0168-14XX	140	0185-11XX	80	0221-29XX	20	0225-37XX	12
0168-15XX	140	0185-12XX	80	0221-33XX-BK	21	0225-37XXL	12
0168-20XX	141	0185-31XX	81	0221-33XXL	21	0225-46XX	9
0168-24XX	141	0185-32XX	81	0221-35XXL	20	0225-47XX	9
0168-32XX	142	0186-10XX	125	0221-36XXL	20	0225-56XX	9
0168-35XX	142	0186-40XX	132	0221-39XX-BK	21	0225-57XX	9
0168-40XX	141	0187-A4XX	106	0221-39XXL	21	0225-66XX	10
0168-42XX	142	0188-01XXL	77	0221-41XX-BK	19	0225-67XX	10
0168-43XX	142	0188-01XXSMDWR	77	0221-41XXL	19	0225-76XX	10
0168-45XX	142	0188-02XXL	77	0221-42XX	21	0225-77XX	10
0168-50XX	141	0188-02XXSMDWR	77	0221-43XX	21	0225K1	12
0168-51XX	141	0188-12XXSMD	78	0221-44XX	21	0225K2L	12
0168-54XX	142	0189-202PL	109	0221-51XX-BK	21	0225K3	12
0168-62XX	143	0189-202PR	110	0221-51XXL	21	0225K4L	12
0168-63XX	143	0189-203PL	109	0221-52XX-BK	21	0226-01XX	13
0168-65XX	143	0189-203PR	110	0221-52XXL	21	0226-02XX	13
0171-10XX	108	0189-204PL	109	0221-64XXL	19	0226-03XX	13
0171-11X	108	0189-204PR	110	0225-01XX	11	0226-06XX	14
0171-20XX	108	0189-212PL	109	0225-02XX	11	0226-07XX	14
0171-21XX	108	0189-212PR	110	0225-03XX	11	0226-08XX	14
0171-60XX	108	0189-213PL	109	0225-04XX	9	0226-13XX	13
0177-03XX	84	0189-213PR	110	0225-05XX	9	0226-13XXL	13
0177-06XX	84	0189-214PL	109	0225-06XX	12	0226-14XX	13
0177-08XX	84	0189-214PR	110	0225-07XX	12	0226-14XXL	13
0177-31XX	83	0191-01XX	36	0225-08XX	12	0226-16XX	14

Part number	Page	Part number	Page	Part number	Page	Part number	Page
0226-16XXL	14	0227-27XX	105	2DSDCN-01-XX	137	2ESDCR-XXP	97
0226-17XX	14	0227-27XXL	16	2EEHDM-XXP	65	2ESDCVM-XXP	97
0226-17XXL	14	0227-27XXL	105	2EEHDR-XXP	65	2ESDCV-XXP	97
0226-23XX	13	0227-33XX	15	2EEHDVM-XXP	65	2ESDFM-XXP	43
0226-23XXL	13	0227-33XXL	15	2EEHDV-XXP	65	2ESDF-XXP	43
0226-24XX	13	0227-34XX	15	2EHDAC-XXP	63	2ESDL-XXP	46
0226-24XXL	13	0227-34XXL	15	2EHDA-XXP	63	2ESDPLM-XXP	46
0226-26XX	14	0227-36XX	16	2EHDBRM-XXP	65	2ESDPL-XXP	46
0226-26XXL	14	0227-36XX	105	2EHDBR-XXP	65	2ESDPM-XXP	45
0226-27XX	14	0227-36XXL	16	2EHDBVM-XXP	65	2ESDP-XXP	45
0226-27XXL	14	0227-36XXL	105	2EHDBV-XXP	65	2ESDSM-XXP	32
0226-33XX	13	0227-37XX	16	2EHDPN-XXP	70	2ESDSRM-XXP	32
0226-33XXL	13	0227-37XX	105	2EHDV-XXP	69	2ESDSR-XXP	32
0226-34XX	13	0227-37XXL	16	2EHDRC-XXP	64	2ESDSVK-XXP	33
0226-34XXL	13	0227-37XXL	105	2EHDRC-XXPL	64	2ESDSVM-XXP	33
0226-36XX	14	0227K1	15	2EHDRC-XXPLWR	75	2ESDSV-XXP	33
0226-36XXL	14	0227K2L	16	2EHDRC-XXPWR	75	2ESDS-XXP	32
0226-37XX	14	0228-21XX	108	2EHDRG-XXP	63	2ESDVB-XXP	104
0226-37XXL	14	0228-22X	108	2EHDRM-XXP	64	2ESDVB-XXP	104
0227-01XX	15	0228-23XX	108	2EHDRM-XXPL	64	2ESDVH-XXP	44
0227-02XX	15	0229-A5XXY	101	2EHDRM-XXPLWR	75	2ESDVM-XXP	45
0227-03XX	15	0229-A9XXY	101	2EHDRM-XXPWR	75	2ESDVNM-XXP	46
0227-04XX	15	0229-F4XX	9	2EHDRRC-XXPL	64	2ESDVS-XXP	45
0227-06XX	16	0229-F5XX	9	2EHDRRM-XXPL	64	2ESDV-XXP	45
0227-07XX	16	0229-F5XXY	101	2EHDRR-XXPL	64	2ESHM-XXP	98
0227-08XX	16	0229-F9XX	10	2EHDR-XXP	64	2ESH-XXP	98
0227-09XX	16	0229-F9XXY	101	2EHDR-XXPL	64	2ESRK-XXP	25
0227-09XX	105	0229-FAXX	10	2EHDR-XXPLWR	75	2ESRM-XXP	25
0227-13XX	15	0229-M5XXY	101	2EHDR-XXPWR	75	2ESR-XXP	25
0227-13XXL	15	0229-M9XXY	101	2EHDVC-XXP	64	2ESSM-XXP	24
0227-14XX	15	0234-20XX-MW	22	2EHDVC-XXPL	64	2ESS-XXP	24
0227-14XXL	15	0234-26XX	22	2EHDVC-XXPLWR	75	2ESVK-XXP	25
0227-16XX	16	0234-30XX-MW	22	2EHDVC-XXPWR	75	2ESVM-XXP	25
0227-16XX	105	0234-36XX	22	2EHDVG-XXP	63	2ESV-XXP	25
0227-16XXL	16	0234-30XX-MW	30	2EHDVM-XXP	64	<b>3</b>	
0227-16XXL	105	<b>1</b>		2EHDVM-XXPL	64	3EHDR-XXP	66
0227-17XX	16	141R-XXP	78	2EHDVM-XXPLWR	75	3EHDR-XXPWR	75
0227-17XX	105	141V-XXP	78	2EHDVM-XXPWR	75	3EHDRM-XXP	66
0227-17XXL	16	142R-XXP	82	2EHDV-XXP	64	3EHDRM-XXPWR	75
0227-17XXL	105	142V-XXP	82	2EHDV-XXPL	64	3EHDR-XXP	66
0227-23XX	15	<b>2</b>		2EHDV-XXPLWR	75	3EHDR-XXPWR	75
0227-23XXL	15	2DC-B01W-XX	136	2EHDV-XXPWR	75	3EHDVC-XXP	66
0227-24XX	15	2DD-B01W-XX	136	2ESDAM-XXP	45	3EHDVC-XXPWR	75
0227-24XXL	15	2DSAC-XX	138	2ESDA-XXP	45	3EHDVM-XXP	66
0227-26XX	16	2DSAN-XX	137	2ESDBAM-XXP	106	3EHDVM-XXPWR	75
0227-26XX	105	2DSB-01-XX	138	2ESDBA-XXP	106	3EHDV-XXP	66
0227-26XXL	16	2DSB-14-XX	138	2ESDBM-XXP	106	3EHDV-XXPWR	75
0227-26XXL	105	2DSCC-01-XX	138	2ESDB-XXP	106	3ESDPLM-XXP	47
0227-27XX	16	2DSDB-01-XX	138	2ESDCRM-XXP	97	3ESDPL-XXP	47

Part number	Page	Part number	Page	Part number	Page	Part number	Page
3ESDPM-XXP	47	5EH-4PR	110	5EHDV-XXPLWR	74	BST-111-05	107
3ESDP-XXP	47	5EH-4PRL	110	5EHDV-XXPWR	74	Part number	page
3ESDSM-XXP	34	5EHDBRM-XXP	62	5ES-2PL	109	BST-112-05	107
3ESDSRHM-XXP	34	5EHDBR-XXP	62	5ES-2PR	110	BST-120-05	107
3ESDSRH-XXP	34	5EHDBVM-XXP	62	5ES-3PL	109	BST-220-05	107
3ESDSRM-XXP	34	5EHDBV-XXP	62	5ES-3PR	110	<b>C</b>	
3ESDSR-XXP	34	5EHDKM-XXP/1.0	69	5ES-4PL	109	CPC350-XXP	18
3ESDS-XXP	34	5EHDKM-XXP/1.2	70	5ES-4PR	110	CSC-01XX	55
3ESDVHM-XXP	48	5EHDKM-XXP/1.4	70	5ESDAM-XXP	43	<b>D</b>	
3ESDVH-XXP	48	5EHDKM-XXP/1.6	70	5ESDA-XXP	43	DEG-02P	112
3ESDVM-XXP	47	5EHDKPM-XXP	70	5ESDFM-XXP	42	DEG-04P	112
3ESDVNM-XXP	48	5EHDK-XXP/1.0	69	5ESDF-XXP	42	DEGH-03P	113
3ESDV-XXP	47	5EHDK-XXP/1.2	70	5ESDG-XXP	18	DEGH-06P	113
3ESNPHLM-XXP	50	5EHDK-XXP/1.4	70	5ESDPLM-XXP	44	DEGM-03P	112
3ESNPHL-XXP	50	5EHDK-XXP/1.6	70	5ESDPL-XXP	44	DEGM-06P	112
3ESNPHM-XXP	50	5EHDRC-XXP	61	5ESDPM-XXP	43	DEGM-12P	112
3ESNPH-XXP	50	5EHDRC-XXPL	61	5ESDP-XXP	43	DMEN-S2P	113
3ESNPLM-XXP	51	5EHDRC-XXPLWR	74	5ESDSM-XXP	31	DMEN-S3P	113
3ESNPLSM-XXP	51	5EHDRC-XXPWR	74	5ESDSRM-XXP	31	DMEN-S4P	113
3ESNPLS-XXP	51	5EHDRG-XXP	62	5ESDSR-XXP	31	DMEN-T2P	113
3ESNPL-XXP	51	5EHDRM-XXP	62	5ESDS-XXP	31	DMEN-T3P	113
3ESNPM-XXP	51	5EHDRM-XXPL	62	5ESDTS-XXP	41	DMEN-T4P	113
3ESNPSM-XXP	51	5EHDRM-XXPLWR	74	5ESDT-XXP	41	DMER-10	114
3ESNPS-XXP	51	5EHDRM-XXPWR	74	5ESDVM-XXP	43	DMER-41	114
3ESNP-XXP	51	5EHDRRC-XXP	61	5ESDV-XXP	43	DMES-T2P	113
3ESNVHM-XXP	50	5EHDRRC-XXPL	61	5ESRK-XXP	23	DMUG-22	113
3ESNVH-XXP	50	5EHDRRC-XXPLWR	73	5ESRM-XXP	23	DMUG-45	113
<b>4</b>		5EHDRRC-XXPWR	73	5ESR-XXP	23	DS-201	145
4DC-B01W-XX	135	5EHDRRM-XXPL	62	5ESVK-XXP	23	DS-301	145
4DSDAC-XX	139	5EHDRRM-XXPLWR	73	5ESVM-XXP	23	DS-401	145
4DSDAN-XX	139	5EHDRR-XXP	61	5ESV-XXP	23	DS-601	145
4DSDB-01-XX	139	5EHDRR-XXPL	61	<b>6</b>		DS-701	145
4DSDCC-01-XX	139	5EHDRR-XXPLWR	73	<b>7</b>		DS-701R	145
<b>5</b>		5EHDRR-XXPWR	73	7EHDRC-XXP	66	DT-123HVR-XXP	94
5EEHDHVC-XXPL	62	5EHDR-XXP	61	7EHDRM-XXP	66	DT-123RA-XXP	93
5EEHDRM-XXP	62	5EHDR-XXPL	61	7EHDR-XXP	66	DT-123RA-XXP3	93
5EEHDR-XXP	62	5EHDR-XXPLWR	74	7EHDVC-XXP	66	DT-123VA-XXP	93
5EEHDVM-XXP	62	5EHDR-XXPWR	74	7EHDVM-XXP	66	DT-123VA-XXP3	93
5EEHDV-XXP	62	5EHDVC-XXP	61	7EHDV-XXP	66	DT-2300-XXP	93
5EH-2PL	109	5EHDVC-XXPL	61	7ES-3PL	111	DT-2301-XXP	93
5EH-2PLL	109	5EHDVC-XXPLWR	74	7ES-3PR	111	DT-2320-XXP	94
5EH-2PR	110	5EHDVC-XXPWR	74	7ESDPLM-XXP	47	DT-2321-XXP	94
5EH-2PRL	110	5EHDVG-XXP	62	7ESDPL-XXP	47	DT-25-A02W-XX	123
5EH-3PL	109	5EHDVM-XXP	62	7ESDPM-XXP	47	DT-25-B01W-XX	123
5EH-3PLL	109	5EHDVM-XXPL	62	7ESDP-XXP	47	DT-25-B07W-XX	124
5EH-3PR	110	5EHDVM-XXPLWR	74	7ESDVM-XXP	47	DT-25-B14W-XX	124
5EH-3PRL	110	5EHDVM-XXPWR	74	7ESDV-XXP	47	DT-29-B01W-XX	130
5EH-4PL	109	5EHDV-XXP	61	<b>A</b>		DT-29-B02W-XX	130
5EH-4PLL	109	5EHDV-XXPL	61	<b>B</b>		DT-2G-A02W-XX	123

Part number	Page	Part number	Page	Part number	Page	Part number	Page
DT-2G-B01W-XX	123	EC350FM-XXP	40	ECH350RD-XXP	57	ECH381RM-XXPL	59
DT-2G-B14W-XX	124	EC350F-XXP	40	ECH350RJ-XXP	58	ECH381RM-XXPLWR	74
DT-31-B01W-XX	124	EC350RLM-XXP	39	ECH350RJ-XXPL	20	ECH381RM-XXPWR	74
DT-35-A02W-XX	124	EC350RL-XXP	39	ECH350RJ-XXPL	58	ECH381RRM-XXP	59
DT-35-B01W-XX	124	EC350RM-XXP	39	ECH350RM-XXP	20	ECH381RRM-XXPL	59
DT-39-B01W-XX	131	EC350R-XXP	39	ECH350RM-XXP	57	ECH381RRM-XXPLWR	74
DT-39-B02W-XX	131	EC350VM-XXP	39	ECH350RM-XXPL	20	ECH381RRM-XXPWR	74
DT-3C-B01W-XX	126	EC350V-XXP	39	ECH350RM-XXPL	57	ECH381RR-XXP	59
DT-45-A02W-XX	125	EC381CR-XXP	98	ECH350RM-XXPLWR	73	ECH381RR-XXPL	59
DT-45-B01W-XX	125	EC381CV-XXP	98	ECH350RM-XXPWR	73	ECH381RR-XXPLWR	74
DT-49-B01W-XX	131	EC381FM-XXP	40	ECH350RRM-XXP	57	ECH381RR-XXPWR	74
DT-49-B02W-XX	131	EC381F-XXP	40	ECH350RRM-XXPL	57	ECH381R-XXP	59
DT-49-C91W-XX	132	EC381LM-XXP	41	ECH350RRM-XXPLWR	73	ECH381R-XXPL	59
DT-4C-B01W-XX	125	EC381L-XXP	41	ECH350RRM-XXPWR	73	ECH381R-XXPLWR	74
DT-4C-B14W-XX	125	EC381RLM-XXP	39	ECH350RR-XXP	57	ECH381R-XXPWR	74
DT-55-B01W-XX	126	EC381RL-XXP	39	ECH350RR-XXPL	57	ECH381VD-XXP	59
DT-55-B14W-XX	126	EC381RM-XXP	39	ECH350RR-XXPLWR	73	ECH381VJ-XXP	60
DT-5C-B01W-XX	127	EC381R-XXP	39	ECH350RR-XXPWR	73	ECH381VJ-XXPL	21
DT-5C-B81W-XX	126	EC381VK-XXP	41	ECH350RT-XXPL	58	ECH381VJ-XXPL	60
DT-5C-B84W-XX	126	EC381VM-XXP	39	ECH350RT-XXPLWR	73	ECH381VM-XXP	59
DT-65-A02W-XX	128	EC381V-XXP	39	ECH350R-XXP	57	ECH381VM-XXPL	59
DT-65-B01W-XX	128	EC508FM-XXP	42	ECH350R-XXPL	57	ECH381VM-XXPLWR	74
DT-65-B14W-XX	128	EC508F-XXP	42	ECH350R-XXPLWR	73	ECH381VM-XXPWR	74
DT-66-B01W-XX	127	EC508VM-XXP	42	ECH350R-XXPWR	73	ECH381V-XXP	59
DT-66-B02W-XX	127	EC508V-XXP	42	ECH350VD-XXP	57	ECH381V-XXPL	59
DT-66-B11W-XX	128	EC762CR-XXP	99	ECH350VJ-XXP	58	ECH381V-XXPLWR	74
DT-66-C01W-XX	127	EC762HLM-XXP	53	ECH350VJ-XXPL	20	ECH381V-XXPWR	74
DT-66-C11W-XX	128	EC762HM-XXP	53	ECH350VJ-XXPL	58	ECH508RM-XXP	63
DT-69-B01W-XX	132	EC762HVM-XXP	52	ECH350VM-XXP	20	ECH508R-XXP	63
DT-69-H53W-XX	133	EC762HVM-XXP	52	ECH350VM-XXP	57	ECH508VM-XXP	63
DT-79-B01W-XX	134	EC762HVN-XXP	52	ECH350VM-XXPL	20	ECH508V-XXP	63
DT-7C-A02W-XX	128	EC762HV-XXP	52	ECH350VM-XXPL	57	ECH762HRM-XXP	68
DT-7C-B01W-XX	128	EC762H-XXP	53	ECH350VM-XXPLWR	73	ECH762HRR-XXP	68
DT-7C-B18W-XX	128	EC762VM-XXP	52	ECH350VM-XXPWR	73	ECH762HR-XXP	68
DT-89-B01W-XX	126	EC762VNM-XXP	52	ECH350VT-XXPL	58	ECH762RM-XXP	67
<b>E</b>		EC762VN-XXP	52	ECH350VT-XXPLWR	73	ECH762RRM-XXP	67
E2HK500V-XXPAM	88	EC762V-XXP	52	ECH350V-XXP	57	ECH762RR-XXP	67
E2HK508V-XXPAM	90	ECH116L-XXP	54	ECH350V-XXPL	57	ECH762RTM-XXP	67
E2L508V-XXP	88	ECH116RM-XXP	55	ECH350V-XXPLWR	73	ECH762R-XXP	67
E3K381V-XXP	86	ECH116R-XXP	54	ECH350V-XXPWR	73	ECH762VM-XXP	67
E3K500V-XXP	87	ECH116V-XXP	54	ECH381AM-XXP	60	ECH762VTM-XXP	67
E3K508V-XXP	90	ECH116HRSM-XXP	55	ECH381A-XXP	60	ECH762V-XXP	67
EC116CVM-XXP	100	ECH116HVS-XXP	55	ECH381H-XXP	60	ECHB250R-XXP	56
EC116CV-XXP	100	ECH150RM-XXP	55	ECH381RD-XXP	59	ECHB250V-XXP	56
EC116VM-XXP	55	ECH250R-XXP	56	ECH350RG-XXP	58	ECHB350RM-XXP	58
EC116V-XXP	54	ECH250R-XXPL	56	ECH381RJ-XXP	60	ECHB350R-XXP	58
EC150VM-XXP	55	ECH250V-XXP	56	ECH381RJ-XXPL	21	ECHB350VM-XXP	58
EC350CR-XXP	97	ECH250V-XXPL	56	ECH381RJ-XXPL	60	ECHB350V-XXP	58
EC350CV-XXP	97	ECH350H-XXP	58	ECH381RM-XXP	59	ECHB381RM-XXP	60

