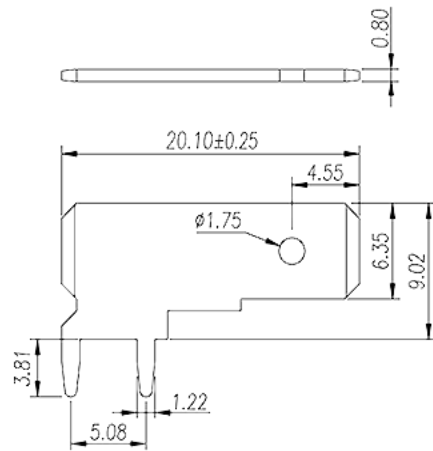
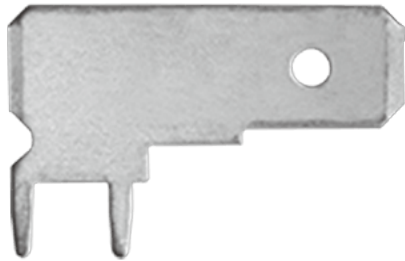


# P-861

Barriere-Anschlussblöcke &gt; Drahtterminal

Date:2026-05-22Version:1.2



The web catalog is for reference only. Dinkle remains the right of product modification and engineering change of the design. The final product is made according to engineering drawing.

## Produktbeschreibung

Pitch : 5.08mm, 0.8x1.22mm, 30A

## Allgemeine Informationen

Kurzbeschreibung	Barrier terminal blocks, Quick terminal blocks
Kategorie	Quick terminal blocks
Pitch (mm)	5.08
Pin-Abmessungen (StärkexBreite)	0.8x1.22

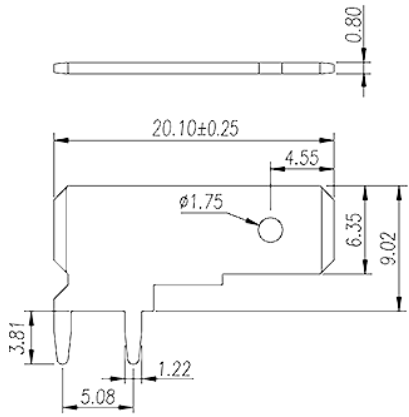
## Materialinformation

Leitermaterial	COPPER ALLOY
Oberflächenveredelung	Tin PLATED

## Verbindungsdaten nach IEC

Nennstrom (A)	30
---------------	----

## Zeichnungen



## Zulassungen

