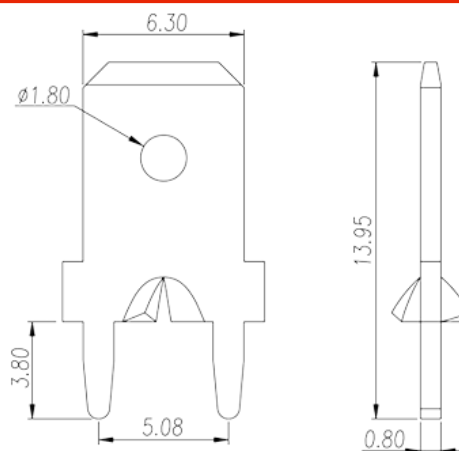
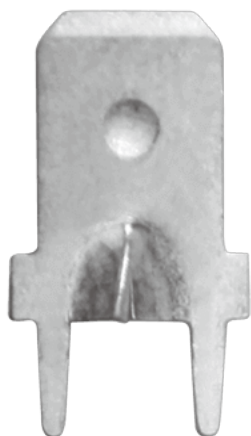


# P-851

Barriere-Anschlussblöcke > Drahtterminal

Date:2026-04-02Version:1.2



The web catalog is for reference only. Dinkle remains the right of product modification and engineering change of the design. The final product is made according to engineering drawing.

## Produktbeschreibung

Pitch : 5.08mm, 0.8x1.2mm, 30A

## Allgemeine Informationen

Kurzbeschreibung	Barrier terminal blocks, Quick terminal blocks
Kategorie	Quick terminal blocks
Pitch (mm)	5.08
Pin-Abmessungen (StärkexBreite)	0.8x1.2

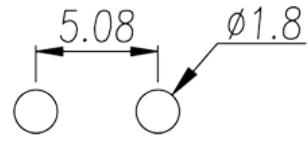
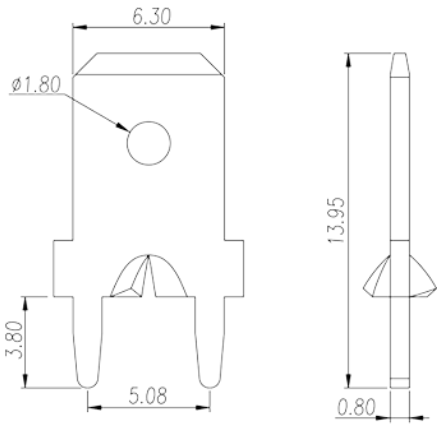
## Materialinformation

Leitermaterial	COPPER ALLOY
Oberflächenveredelung	Tin PLATED

## Verbindungsdaten nach IEC

Nennstrom (A)	30
---------------	----

## Zeichnungen



## Zulassungen

