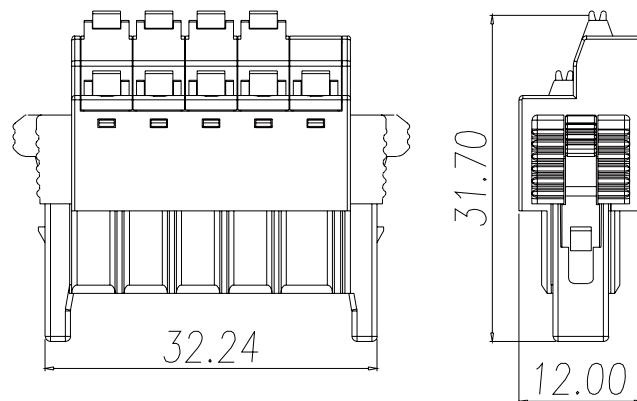


0225-0509

Accessories for Enclosure



Specification

No. of channel	9
Rated voltage	150V
Rated current	8A
Max. / Rated withstand voltage	1600V
Applied temperature	-40°C~+105°C