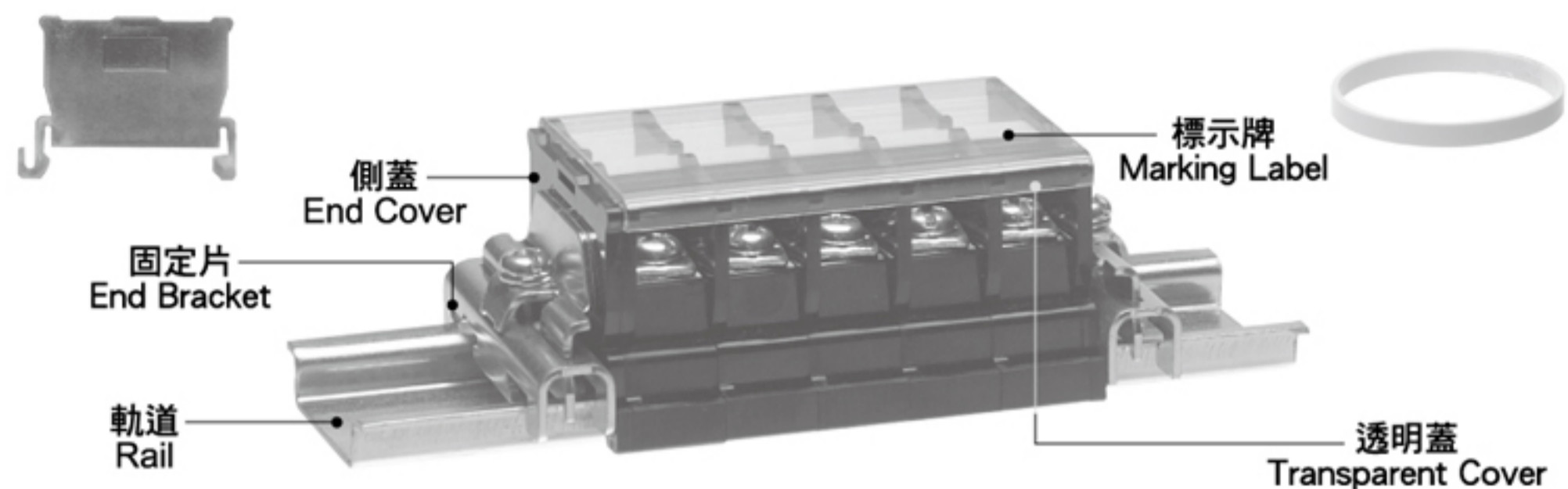
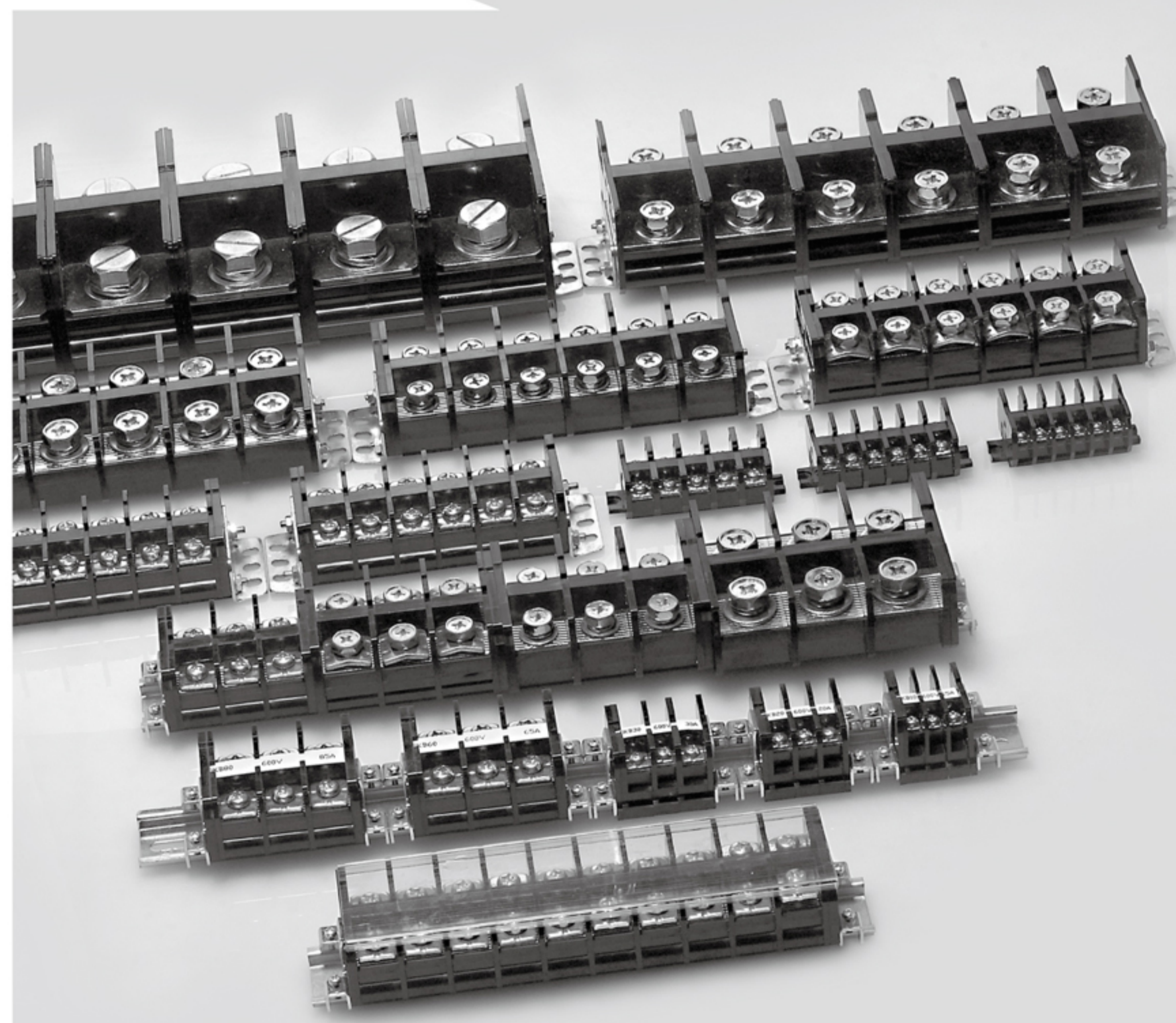


工業用端子台

Terminal Block For Industrial Applications



| 品號 Part Number | 側蓋 End Cover | 透明蓋 Transparent Cover | | 標示牌 Marking Label | 固定片 End Bracket |
|-------------------|------------------------|-----------------------|--------------------|----------------------|--------------------|
| | | Cover | XXP Cover | | |
| DKB10 | DKB10E | DKBC10-1000 | L=8.8mm × P+2.5mm | DKBK10-1830 | SS3 SS9A |
| DKB20 | | | L=10.5mm × P+2.5mm | | |
| DKB30 | | | L=13mm × P+2.5mm | | |
| DKB60 | DKB60E-A DKB60E-B | DKBC60-1000 | L=19mm × P+8mm | DKBK60-1830 | SS9B |
| DKB80 | DKB80E-A DKB80E-B | | L=19mm × P+8mm | | |
| DKB100 | DKB100E-A DKB100E-B | DKBC100-1000 | L=25mm × P+8mm | | |
| DKB150 | DKB150E-A DKB150E-B | DKBC150-1000 | L=27mm × P+8mm | | |
| DKB200 | DKB200E-A DKB200E-B | DKBC200-1000 | L=33mm × P+8mm | | |
| DKB300 | | DKBC300-1000 | DKB300-XXPC | | |
| DKB500 | | DKBC500-1000 | DKB500-XXPC | | |
| DKBB10 | DKBB10E | | | | SS3 SS10 |
| DKBB20 | | | | | |
| | | | | | |



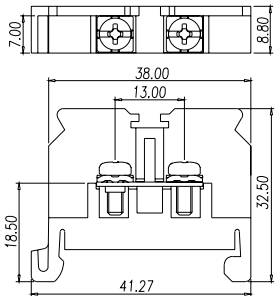
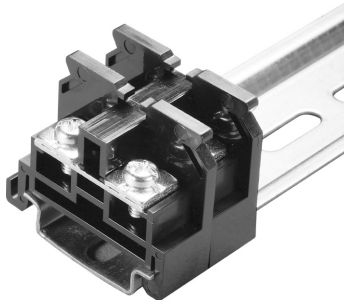
町洋國際股份有限公司
DINKLE INTERNATIONAL CO., LTD.

E-mail : info@dinkle.com.tw
Web : www.dinkle.com

經銷商 Distributor

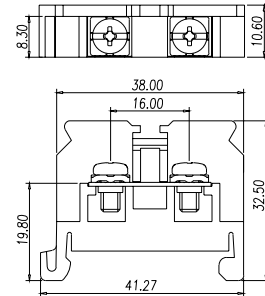
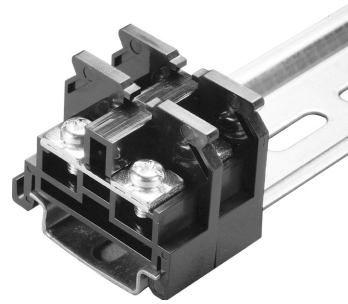
軌道式 (Rail Mount Design)

DKB10 (15A) FW2



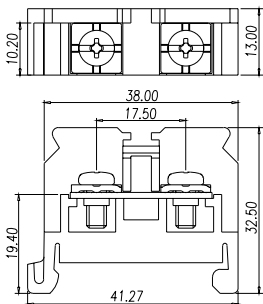
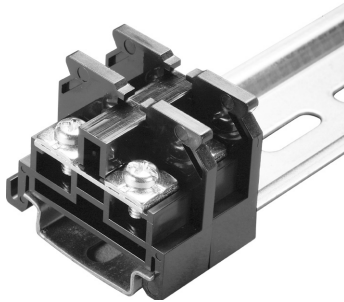
| | |
|------------------------------------|-----------|
| Approval / 取得安全規格 / 認證 | UL |
| Rated voltage / 定格電圧 / 電壓 | 600 V |
| Rated current / 定格電流 / 電流 | 15 A |
| Wire range / 使用線径 / 線徑 | 22~14 AWG |
| Rated Torque Value / ネジ締付トルク / 扭力値 | 0.5N-m |
| Screw / 結線ビス / 螺絲 | M3 |
| Pitch / ピッチ / 間距 | 8.8 mm |
| Plastic Housing / 本体 / 本體 | PC |

DKB20 (20A) FW2



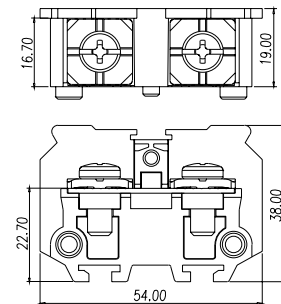
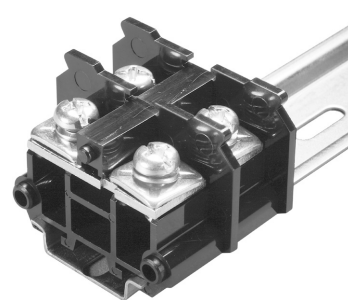
| | |
|------------------------------------|-----------|
| Approval / 取得安全規格 / 認證 | UL |
| Rated voltage / 定格電圧 / 電壓 | 600 V |
| Rated current / 定格電流 / 電流 | 20 A |
| Wire range / 使用線径 / 線徑 | 22~12 AWG |
| Rated Torque Value / ネジ締付トルク / 扭力値 | 0.8N-m |
| Screw / 結線ビス / 螺絲 | M3.5 |
| Pitch / ピッチ / 間距 | 10.6 mm |
| Plastic Housing / 本体 / 本體 | PC |

DKB30 (30A) FW2



| | |
|------------------------------------|-----------|
| Approval / 取得安全規格 / 認證 | UL |
| Rated voltage / 定格電圧 / 電壓 | 600 V |
| Rated current / 定格電流 / 電流 | 30 A |
| Wire range / 使用線径 / 線徑 | 22~10 AWG |
| Rated Torque Value / ネジ締付トルク / 扭力値 | 1.2N-m |
| Screw / 結線ビス / 螺絲 | M4 |
| Pitch / ピッチ / 間距 | 13 mm |
| Plastic Housing / 本体 / 本體 | PC |

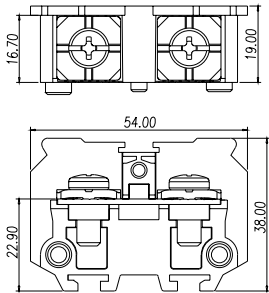
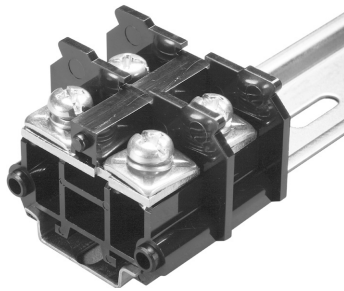
DKB60 (65A) FW2



| | |
|------------------------------------|----------|
| Approval / 取得安全規格 / 認證 | UL |
| Rated voltage / 定格電圧 / 電壓 | 600 V |
| Rated current / 定格電流 / 電流 | 65 A |
| Wire range / 使用線径 / 線徑 | 18~6 AWG |
| Rated Torque Value / ネジ締付トルク / 扭力値 | 3N-m |
| Screw / 結線ビス / 螺絲 | M6 |
| Pitch / ピッチ / 間距 | 19 mm |
| Plastic Housing / 本体 / 本體 | PC |

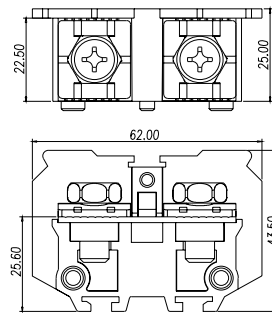
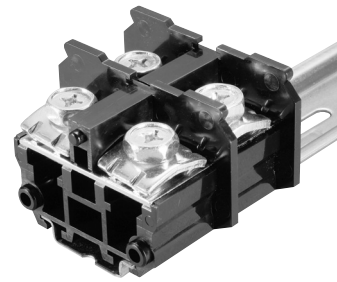
軌道式 (Rail Mount Design)

DKB80 (85A) FW2



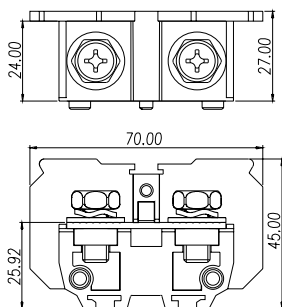
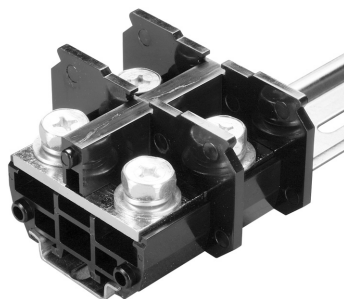
| | |
|------------------------------------|----------|
| Approval / 取得安全規格 / 認證 | UL |
| Rated voltage / 定格電圧 / 電壓 | 600 V |
| Rated current / 定格電流 / 電流 | 85 A |
| Wire range / 使用線径 / 線径 | 18~4 AWG |
| Rated Torque Value / ネジ締付トルク / 扭力値 | 3N-m |
| Screw / 結線ビス / 螺絲 | M6 |
| Pitch / ピッチ / 間距 | 19 mm |
| Plastic Housing / 本体 / 本體 | PC |

DKB100 (115/150A) FW2



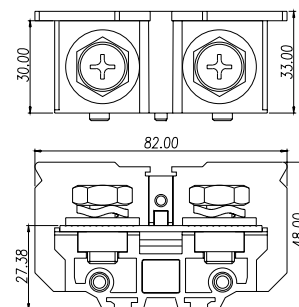
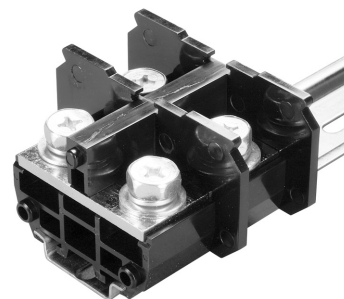
| | |
|------------------------------------|-----------|
| Approval / 取得安全規格 / 認證 | UL |
| Rated voltage / 定格電圧 / 電壓 | 600 V |
| Rated current / 定格電流 / 電流 | 115/150 A |
| Wire range / 使用線径 / 線径 | 8~1/0 AWG |
| Rated Torque Value / ネジ締付トルク / 扭力値 | 8N-m |
| Screw / 結線ビス / 螺絲 | M8 |
| Pitch / ピッチ / 間距 | 25 mm |
| Plastic Housing / 本体 / 本體 | PC |

DKB150 (190A) FW2



| | |
|------------------------------------|-----------|
| Approval / 取得安全規格 / 認證 | UL |
| Rated voltage / 定格電圧 / 電壓 | 600 V |
| Rated current / 定格電流 / 電流 | 190 A |
| Wire range / 使用線径 / 線径 | 8~3/0 AWG |
| Rated Torque Value / ネジ締付トルク / 扭力値 | 8N-m |
| Screw / 結線ビス / 螺絲 | M8 |
| Pitch / ピッチ / 間距 | 27 mm |
| Plastic Housing / 本体 / 本體 | PC |

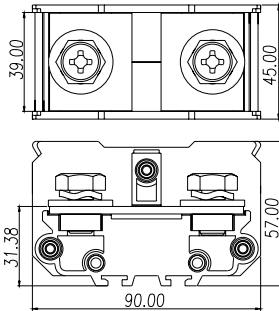
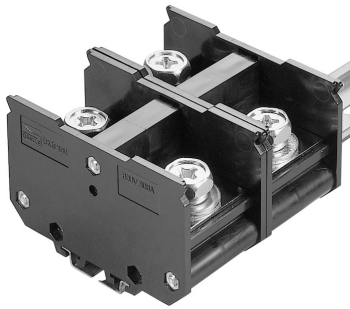
DKB200 (230A) FW2



| | |
|------------------------------------|-----------|
| Approval / 取得安全規格 / 認證 | UL |
| Rated voltage / 定格電圧 / 電壓 | 600 V |
| Rated current / 定格電流 / 電流 | 230 A |
| Wire range / 使用線径 / 線径 | 8~4/0 AWG |
| Rated Torque Value / ネジ締付トルク / 扭力値 | 10N-m |
| Screw / 結線ビス / 螺絲 | M10 |
| Pitch / ピッチ / 間距 | 27 mm |
| Plastic Housing / 本体 / 本體 | PC |

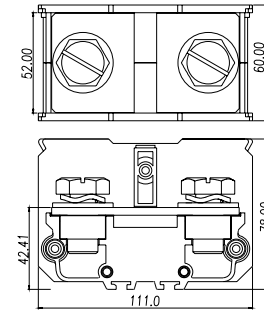
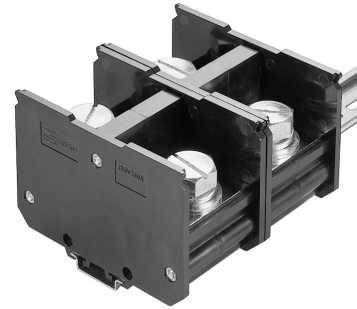
軌道式 (Rail Mount Design)

DKB300 (380A)  FW2

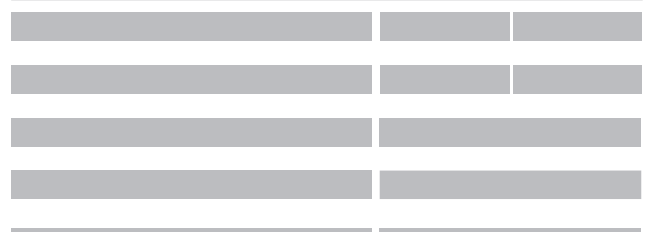
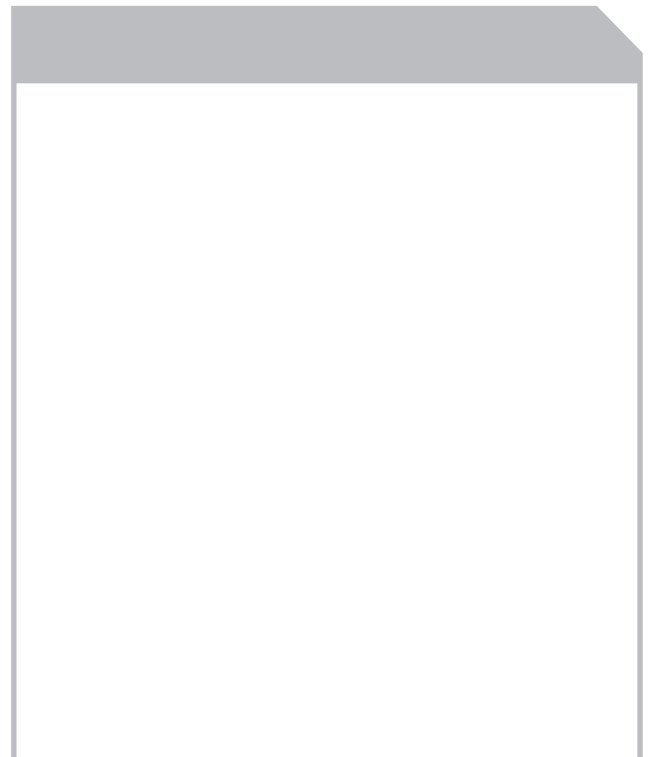
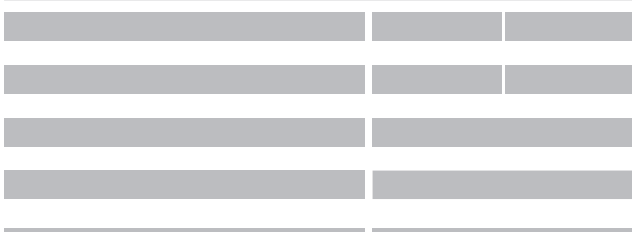


| | |
|------------------------------------|---------------|
| Approval / 取得安全規格 / 認証 | UL |
| Rated voltage / 定格電圧 / 電壓 | 600 V |
| Rated current / 定格電流 / 電流 | 380 A |
| Wire range / 使用線径 / 線径 | 3/0~500 Kcmil |
| Rated Torque Value / ネジ締付トルク / 扭力値 | 10N-m |
| Screw / 結線ビス / 螺絲 | M10 |
| Pitch / ピッチ / 間距 | 45 mm |
| Plastic Housing / 本体 / 本體 | PC |


DKB500 (475/620A)  FW2



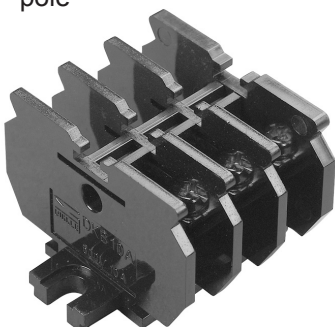
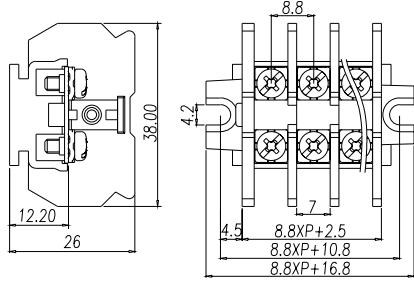
| | |
|------------------------------------|---------------------|
| Approval / 取得安全規格 / 認証 | UL |
| Rated voltage / 定格電圧 / 電壓 | 1000 V |
| Rated current / 定格電流 / 電流 | 475/620 A |
| Wire range / 使用線径 / 線径 | 750/2×250~350 Kcmil |
| Rated Torque Value / ネジ締付トルク / 扭力値 | 10N-m |
| Screw / 結線ビス / 螺絲 | M16 |
| Pitch / ピッチ / 間距 | 60 mm |
| Plastic Housing / 本体 / 本體 | PC |




面板式 (Panel Mounting Design)

DKB10-XXP (15A)  **FW2**

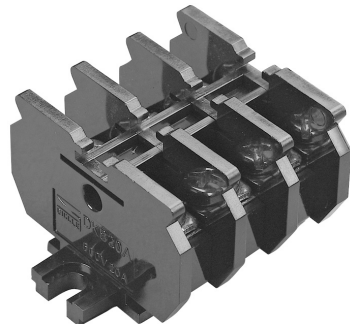
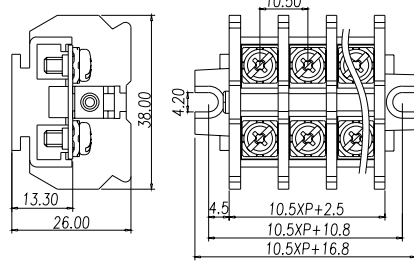
pole


| | |
|------------------------------------|-----------|
| Approval / 取得安全規格 / 認證 | UL |
| Rated voltage / 定格電圧 / 電壓 | 600 V |
| Rated current / 定格電流 / 電流 | 15 A |
| Wire range / 使用線徑 / 線徑 | 22~14 AWG |
| Rated Torque Value / ネジ締付トルク / 扭力値 | 0.5N-m |
| Screw / 結線ビス / 螺絲 | M3 |
| Pitch / ピッチ / 間距 | 8.8 mm |
| Plastic Housing / 本体 / 本體 | PC |

DKB20-XXP (20A)  **FW2**

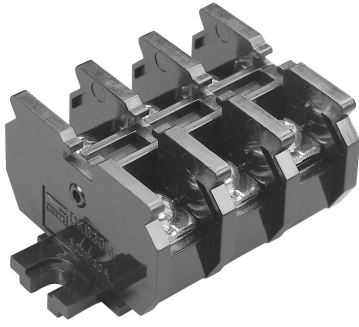
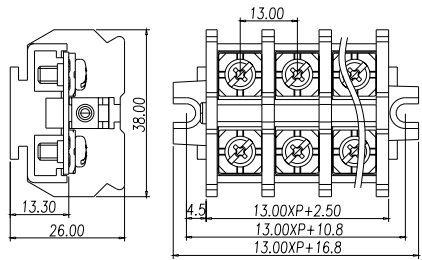
pole


| | |
|------------------------------------|-----------|
| Approval / 取得安全規格 / 認證 | UL |
| Rated voltage / 定格電圧 / 電壓 | 600 V |
| Rated current / 定格電流 / 電流 | 20 A |
| Wire range / 使用線徑 / 線徑 | 22~12 AWG |
| Rated Torque Value / ネジ締付トルク / 扭力値 | 0.8N-m |
| Screw / 結線ビス / 螺絲 | M3.5 |
| Pitch / ピッチ / 間距 | 10.5 mm |
| Plastic Housing / 本体 / 本體 | PC |

DKB30-XXP (30A)  **FW2**

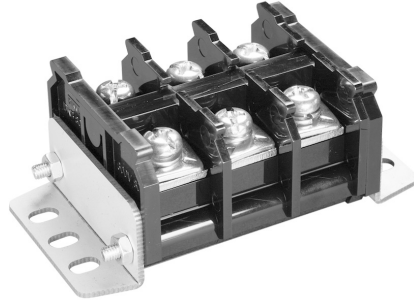
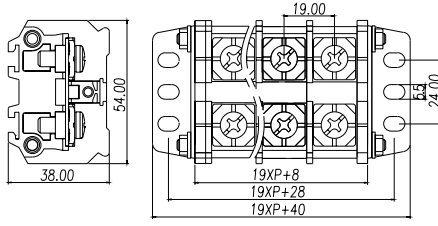
pole

| | |
|------------------------------------|-----------|
| Approval / 取得安全規格 / 認證 | UL |
| Rated voltage / 定格電圧 / 電壓 | 600 V |
| Rated current / 定格電流 / 電流 | 30 A |
| Wire range / 使用線徑 / 線徑 | 22~10 AWG |
| Rated Torque Value / ネジ締付トルク / 扭力値 | 1.2N-m |
| Screw / 結線ビス / 螺絲 | M4 |
| Pitch / ピッチ / 間距 | 13 mm |
| Plastic Housing / 本体 / 本體 | PC |

DKB60-XXP (65A)  **FW2**

pole

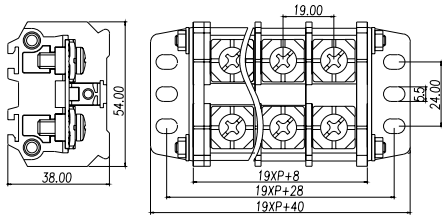
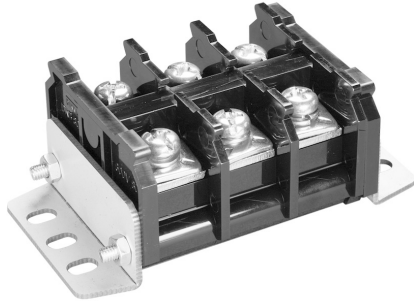



| | |
|------------------------------------|----------|
| Approval / 取得安全規格 / 認證 | UL |
| Rated voltage / 定格電圧 / 電壓 | 600 V |
| Rated current / 定格電流 / 電流 | 65 A |
| Wire range / 使用線徑 / 線徑 | 18~6 AWG |
| Rated Torque Value / ネジ締付トルク / 扭力値 | 3N-m |
| Screw / 結線ビス / 螺絲 | M6 |
| Pitch / ピッチ / 間距 | 19 mm |
| Plastic Housing / 本体 / 本體 | PC |

面板式 (Panel Mounting Design)

DKB80-XXP (85A) FW2

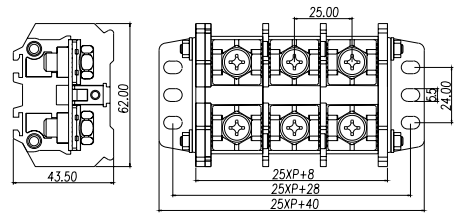
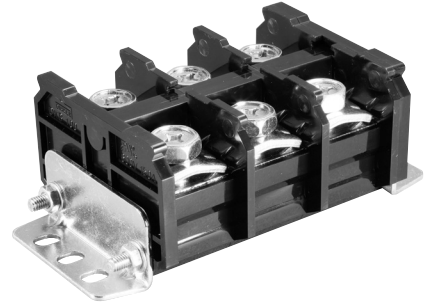
pole



| | |
|------------------------------------|----------|
| Approval / 取得安全規格 / 認證 | UL |
| Rated voltage / 定格電圧 / 電壓 | 600 V |
| Rated current / 定格電流 / 電流 | 85 A |
| Wire range / 使用線徑 / 線徑 | 18~4 AWG |
| Rated Torque Value / ネジ締付トルク / 扭力値 | 3N-m |
| Screw / 結線ビス / 螺絲 | M6 |
| Pitch / ピッチ / 間距 | 19 mm |
| Plastic Housing / 本体 / 本體 | PC |

DKB100-XXP (115/150A) FW2

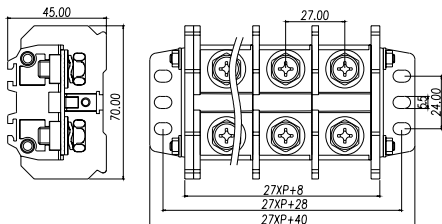
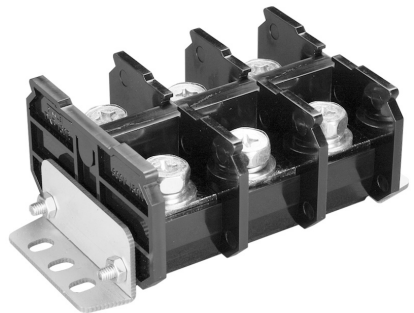
pole



| | |
|------------------------------------|-----------|
| Approval / 取得安全規格 / 認證 | UL |
| Rated voltage / 定格電圧 / 電壓 | 600 V |
| Rated current / 定格電流 / 電流 | 115/150 A |
| Wire range / 使用線徑 / 線徑 | 8~1/0 AWG |
| Rated Torque Value / ネジ締付トルク / 扭力値 | 8N-m |
| Screw / 結線ビス / 螺絲 | M8 |
| Pitch / ピッチ / 間距 | 25 mm |
| Plastic Housing / 本体 / 本體 | PC |

DKB150-XXP (190A) FW2

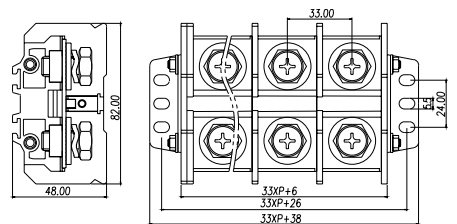
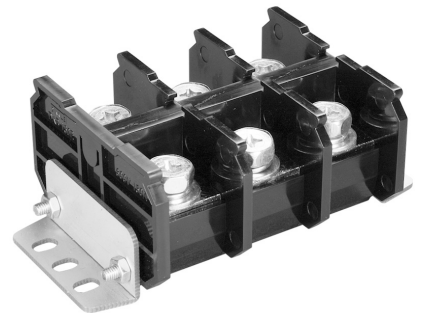
pole



| | |
|------------------------------------|-----------|
| Approval / 取得安全規格 / 認證 | UL |
| Rated voltage / 定格電圧 / 電壓 | 600 V |
| Rated current / 定格電流 / 電流 | 190 A |
| Wire range / 使用線徑 / 線徑 | 8~3/0 AWG |
| Rated Torque Value / ネジ締付トルク / 扭力値 | 8N-m |
| Screw / 結線ビス / 螺絲 | M8 |
| Pitch / ピッチ / 間距 | 27 mm |
| Plastic Housing / 本体 / 本體 | PC |

DKB200-XXP (230A) FW2

pole

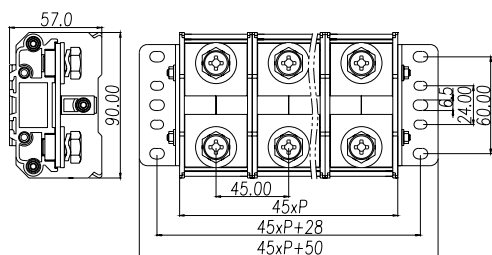
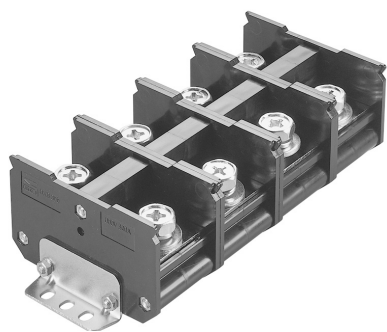


| | |
|------------------------------------|-----------|
| Approval / 取得安全規格 / 認證 | UL |
| Rated voltage / 定格電圧 / 電壓 | 600 V |
| Rated current / 定格電流 / 電流 | 230 A |
| Wire range / 使用線徑 / 線徑 | 8~4/0 AWG |
| Rated Torque Value / ネジ締付トルク / 扭力値 | 10N-m |
| Screw / 結線ビス / 螺絲 | M10 |
| Pitch / ピッチ / 間距 | 33 mm |
| Plastic Housing / 本体 / 本體 | PC |

面板式 (Panel Mounting Design)

DKB300-XXP (380A) FW2

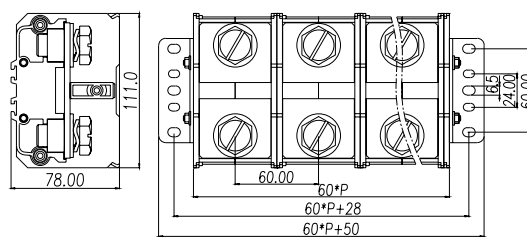
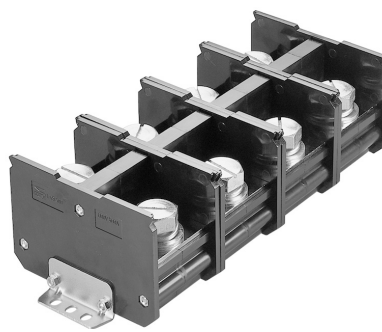
pole



| | |
|------------------------------------|---------------|
| Approval / 取得安全規格 / 認證 | UL |
| Rated voltage / 定格電圧 / 電壓 | 600 V |
| Rated current / 定格電流 / 電流 | 380 A |
| Wire range / 使用線徑 / 線徑 | 3/0~500 Kcmil |
| Rated Torque Value / ネジ締付トルク / 扭力値 | 10N-m |
| Screw / 結線ビス / 螺絲 | M10 |
| Pitch / ピッチ / 間距 | 45 mm |
| Plastic Housing / 本体 / 本體 | PC |

DKB500-XXP (475/620A) FW2

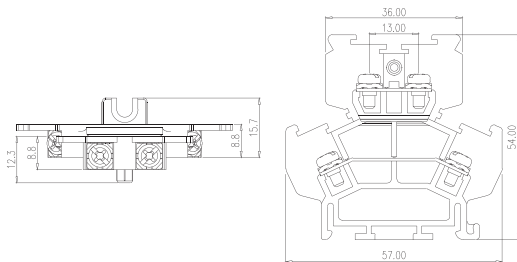
pole



| | |
|------------------------------------|---------------------|
| Approval / 取得安全規格 / 認證 | UL |
| Rated voltage / 定格電圧 / 電壓 | 1000 V |
| Rated current / 定格電流 / 電流 | 475/620 A |
| Wire range / 使用線徑 / 線徑 | 750/2×250~350 Kcmil |
| Rated Torque Value / ネジ締付トルク / 扭力値 | 10N-m |
| Screw / 結線ビス / 螺絲 | M16 |
| Pitch / ピッチ / 間距 | 60 mm |
| Plastic Housing / 本体 / 本體 | PC |

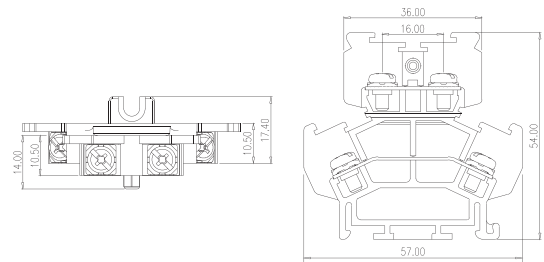
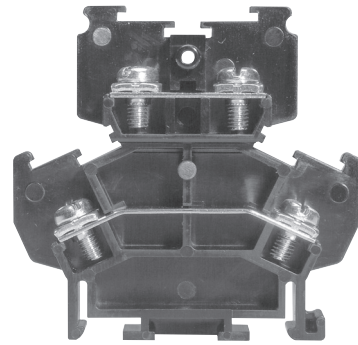
雙層式 (Dual Row Design)

DKBB10 (10A)



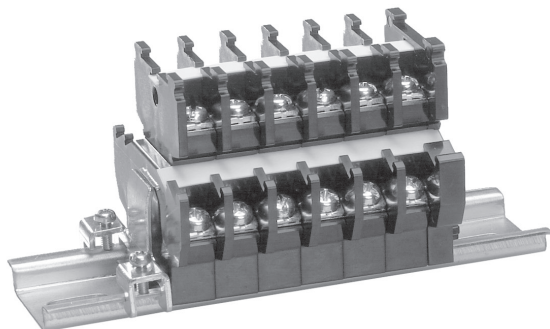
| | |
|------------------------------------|-----------|
| Approval / 取得安全規格 / 認證 | UL |
| Rated voltage / 定格電圧 / 電壓 | 600 V |
| Rated current / 定格電流 / 電流 | 10 A |
| Wire range / 使用線徑 / 線徑 | 22~14 AWG |
| Rated Torque Value / ネジ締付トルク / 扭力値 | 0.5N-m |
| Screw / 結線ビス / 螺絲 | M3 |
| Pitch / ピッチ / 間距 | 7 mm |
| Plastic Housing / 本体 / 本體 | PC |

DKBB20 (20A)

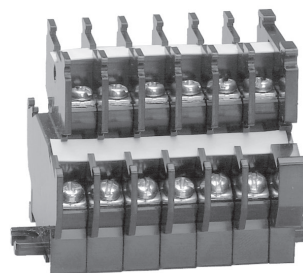


| | |
|------------------------------------|-----------|
| Approval / 取得安全規格 / 認證 | UL |
| Rated voltage / 定格電圧 / 電壓 | 600 V |
| Rated current / 定格電流 / 電流 | 20 A |
| Wire range / 使用線徑 / 線徑 | 22~12 AWG |
| Rated Torque Value / ネジ締付トルク / 扭力値 | 0.8N-m |
| Screw / 結線ビス / 螺絲 | M3.5 |
| Pitch / ピッチ / 間距 | 8 mm |
| Plastic Housing / 本体 / 本體 | PC |

軌道組裝
Assembly of Rail Mounting



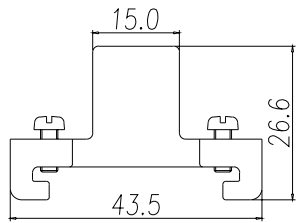
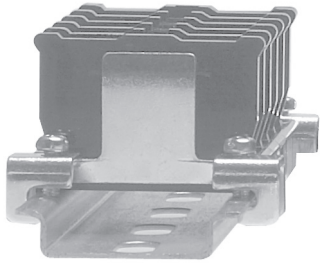
面板組裝
Assembly of Panel Mounting



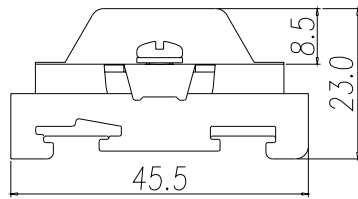
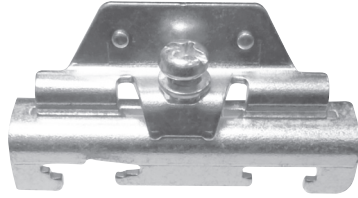
側蓋
Cover



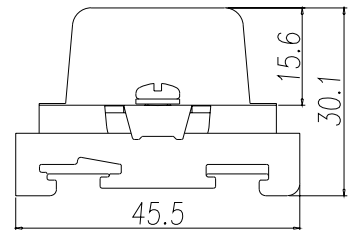
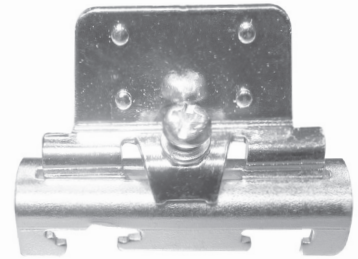
SS3



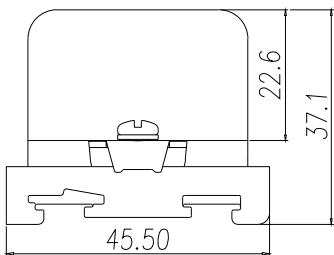
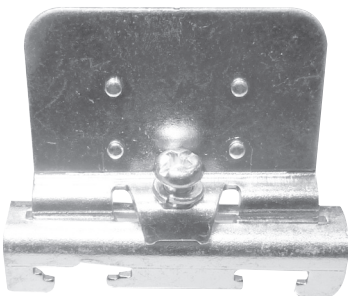
SS9A



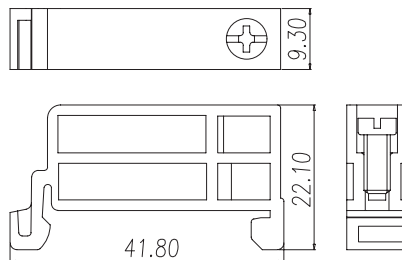
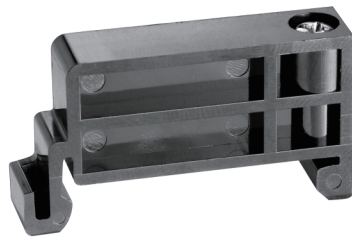
SS9B



SS9C



SS10



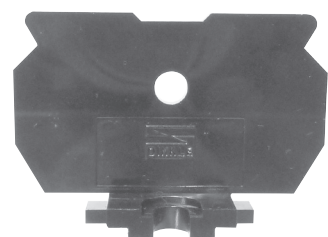
End Cover

軌道式
Rail Mount Design



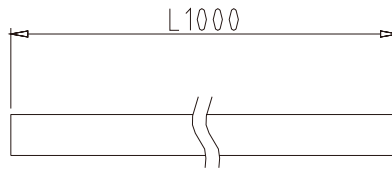
DKB□□E

面板式
Panel Mount Design

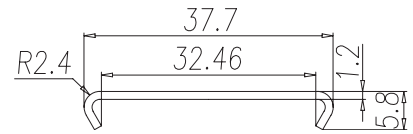


DKB□□M

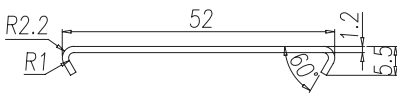
DKBC □ □ -1000



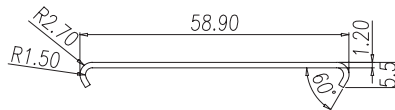
DKBC10-1000



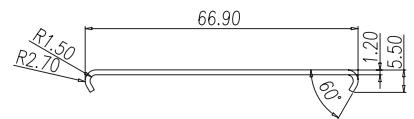
DKBC60-1000



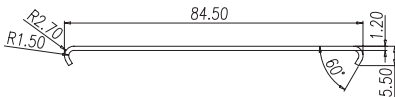
DKBC100-1000



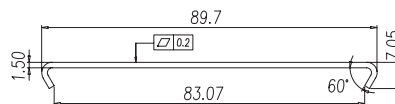
DKBC150-1000



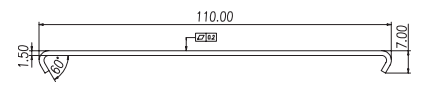
DKBC200-1000



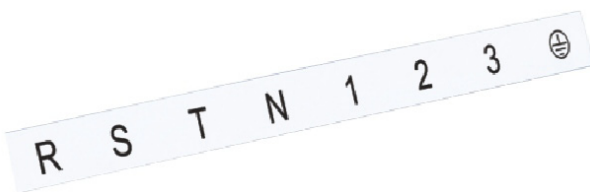
DKBC300-1000



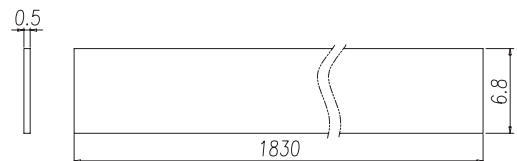
DKBC500-1000



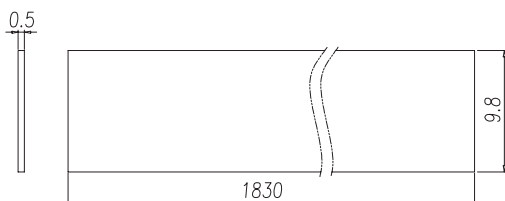
DKBK □ □ -1830



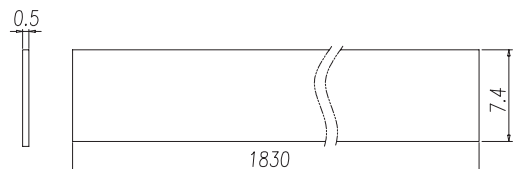
DKBK10-1830

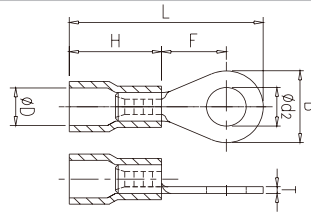


DKBK60-1830

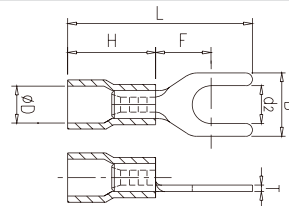


CTP12XXXXX

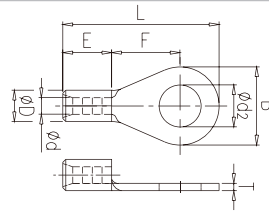




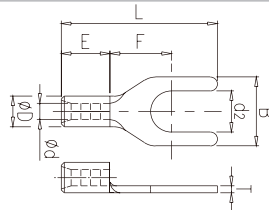
| Part No. | Wire Range | | Dimension | | | | | | | Color | Package | | | |
|-----------|------------|-----------------|-----------|------|------|------|-----|-----|------|--------|---------|----------|-----|---|
| | AWG | mm ² | Ød2 | B | F | L | H | ØD | T | | pcs/bag | bags/box | | |
| DNH1-132 | 22~16 | 0.5~1.5 | 3.2 | 5.5 | 4.75 | 17 | 9.5 | 4 | 0.75 | Red | 1000 | 1 | | |
| DNH1-137 | | | 3.7 | 5.5 | 4.75 | 17 | | | | | | | | |
| DNH1-137B | | | 3.7 | 6.6 | 6.3 | 19.1 | | | | | | | | |
| DNH1-143 | | | 4.3 | 6.6 | 6.3 | 19.1 | | | | | | | | |
| DNH1-143B | | | 4.3 | 8 | 7 | 20.5 | | | | | | | | |
| DNH1-153 | | | 5.3 | 8 | 7 | 20.5 | | | | | 200 | 2 | | |
| DNH1-164 | | | 6.4 | 11.6 | 9.7 | 25 | | | | | | | | |
| DNH1-184 | | | 8.4 | 11.6 | 9.7 | 25 | | | | | | | | |
| DNH1-110 | | | 10.5 | 14 | 12 | 28.5 | | | | | | | | |
| DNH1-232 | 16~14 | 1.5~2.5 | 3.2 | 6.4 | 4.3 | 17.5 | 10 | 4.5 | 0.8 | Blue | 1000 | 1 | | |
| DNH1-237 | | | 3.7 | 6.4 | 4.3 | 17.5 | | | | | | | | |
| DNH1-237B | | | 3.7 | 8.5 | 7.75 | 22 | | | | | | | | |
| DNH1-243 | | | 4.3 | 6.6 | 6.3 | 19.6 | | | | | | | | |
| DNH1-243B | | | 4.3 | 8.5 | 7.75 | 22 | | | | | | | | |
| DNH1-253 | | | 5.3 | 9.5 | 7.25 | 22 | | | | | 500 | | 2 | |
| DNH1-264 | | | 6.4 | 12 | 11 | 27 | | | | | | | | |
| DNH1-284 | | | 8.4 | 12 | 11 | 27 | | | | | | | | |
| DNH1-210 | | | 10.5 | 14 | 12 | 29 | | | | | 200 | 1 | | |
| DNH1-537 | 12~10 | 4~6 | 3.7 | 7.2 | 5.9 | 22.5 | 13 | 6.8 | 1 | Yellow | | | 500 | 2 |
| DNH1-543 | | | 4.3 | 9.5 | 8.25 | 26 | | | | | | | | |
| DNH1-553 | | | 5.3 | 9.5 | 8.25 | 26 | | | | | | | | |
| DNH1-564 | | | 6.4 | 12 | 10.5 | 29.5 | | | | | | | 200 | 1 |
| DNH1-584 | | | 8.4 | 15 | 13.5 | 34 | | | | | | | | |
| DNH1-510 | | | 10.5 | 15 | 13.5 | 34 | | | | | | | | |



| Part No. | Wire Range | | Dimension | | | | | | | Color | Package | | | |
|-----------|------------|-----------------|-----------|-----|-----|------|-----|-----|------|--------|---------|----------|-----|---|
| | AWG | mm ² | Ød2 | B | F | L | H | ØD | T | | pcs/bag | bags/box | | |
| DNH2-137 | 22~16 | 0.5~1.5 | 3.7 | 5.7 | 6.5 | 20.7 | 9.5 | 4 | 0.75 | Red | 1000 | 1 | | |
| DNH2-137B | | | 3.7 | 6.4 | 6.5 | 20.7 | | | | | | | | |
| DNH2-143 | | | 4.3 | 6.4 | 6.5 | 20.7 | | | | | | | | |
| DNH2-143B | | | 4.3 | 7.2 | 6.5 | 20.7 | | | | | 500 | 2 | | |
| DNH2-153 | | | 5.3 | 8.1 | 6.5 | 20.7 | | | | | | | | |
| DNH2-164 | | | 6.4 | 11 | 10 | 25 | | | | | | | | |
| DNH2-237 | 16~14 | 1.5~2.5 | 3.7 | 5.7 | 6.5 | 21.2 | 10 | 4.5 | 0.8 | Blue | 500 | 1 | | |
| DNH2-237B | | | 3.7 | 6.4 | 6.5 | 21.2 | | | | | | | | |
| DNH2-243 | | | 4.3 | 6.4 | 6.5 | 21.2 | | | | | | | | |
| DNH2-243B | | | 4.3 | 7.2 | 6.5 | 21.2 | | | | | 200 | 2 | | |
| DNH2-253 | | | 5.3 | 8.1 | 6.5 | 21.2 | | | | | | | | |
| DNH2-264 | | | 6.4 | 11 | 10 | 25.5 | | | | | | | | |
| DNH2-537 | 12~10 | 4~6 | 3.7 | 8.2 | 7.2 | 24.7 | 13 | 6.8 | 1 | Yellow | 200 | 2 | | |
| DNH2-543 | | | 4.3 | 8.2 | 7.2 | 24.7 | | | | | | | | |
| DNH2-553 | | | 5.3 | 9 | 7.2 | 24.7 | | | | | | | | |
| DNH2-564 | | | 6.4 | 12 | 11 | 31 | | | | | | | 200 | 1 |
| DNH2-564 | | | 6.4 | 12 | 11 | 31 | | | | | | | | |



| Part No. | Wire Range | | Dimension | | | | | | | | Package | | | |
|-----------|------------|-----------------|-----------|---------|------|------|-----|------|-----|------|---------|----------|-----|-----|
| | AWG | mm ² | Ød2 | B | F | L | E | Ød | ØD | T | pcs/bag | bags/box | | |
| DNK1-132 | 22~16 | 0.5~1.5 | 3.2 | 5.5 | 4.8 | 12 | 4.5 | 1.8 | 3.4 | 0.75 | 1000 | 1 | | |
| DNK1-137 | | | 3.7 | 5.5 | 4.8 | 12 | | | | | | | | |
| DNK1-137B | | | 3.7 | 6.6 | 6.3 | 14.1 | | | | | | | | |
| DNK1-143 | | | 4.3 | 6.6 | 6.3 | 14.1 | | | | | | | | |
| DNK1-143B | | | 4.3 | 8 | 7 | 15.5 | | | | | | | | |
| DNKI-153 | | | 5.3 | 8 | 7 | 15.5 | | | | | | | | |
| DNK1-164 | | | 6.4 | 11.6 | 9.7 | 20 | | | | | | | | |
| DNK1-184 | | | 8.4 | 11.6 | 9.7 | 20 | | | | | | | | |
| DNK1-110 | | | 10.5 | 14 | 12 | 24 | | | | | | | 5 | 1.7 |
| DNK1-232 | | | 16~14 | 1.5~2.5 | 3.2 | 6.4 | | | | | | | 4.3 | 12 |
| DNK1-237 | 3.7 | 6.4 | | | 4.3 | 12 | | | | | | | | |
| DNK1-237B | 3.7 | 8.5 | | | 7.8 | 16.5 | | | | | | | | |
| DNK1-243 | 4.3 | 6.6 | | | 6.3 | 14.1 | | | | | | | | |
| DNK1-243B | 4.3 | 8.5 | | | 7.8 | 16.5 | | | | | | | | |
| DNK1-253 | 5.3 | 9.5 | | | 7.3 | 16.5 | | | | | | | | |
| DNK1-264 | 6.4 | 12 | | | 11 | 21.5 | | | | | | | | |
| DNK1-284 | 8.4 | 12 | | | 11 | 21.5 | | | | | | | | |
| DNK1-210 | 10.5 | 14 | | | 12 | 24 | 5 | | | | | | | |
| DNK1-537 | 12~10 | 4~6 | | | 3.7 | 7.2 | 5.9 | 15.7 | 6.5 | 3.5 | 5.6 | 1 | 500 | 2 |
| DNK1-543 | | | 4.3 | 9.5 | 8.3 | 19.5 | | | | | | | | |
| DNK1-553 | | | 5.3 | 9.5 | 8.3 | 19 | | | | | | | | |
| DNK1-564 | | | 6.4 | 12 | 10.5 | 23 | | | | | | | | |
| DNK1-584 | | | 8.4 | 15 | 13.5 | 27.5 | | | | | | | | |
| DNK1-510 | | | 10.5 | 15 | 13.5 | 27.5 | | | | | | | | |



| Part No. | Wire Range | | Dimension | | | | | | | | Package | |
|-----------|------------|-----------------|-----------|-----|-----|------|-----|-----|-----|------|---------|----------|
| | AWG | mm ² | Ød2 | B | F | L | E | Ød | ØD | T | pcs/bag | bags/box |
| DNK2-137 | 22~16 | 0.5~1.5 | 3.7 | 5.7 | 6.5 | 15.7 | 4.5 | 1.8 | 3.4 | 0.75 | 1000 | 1 |
| DNK2-137B | | | 3.7 | 6.4 | 6.5 | 15.7 | | | | | | |
| DNK2-143 | | | 4.3 | 6.4 | 6.5 | 15.7 | | | | | | |
| DNK2-143B | | | 4.3 | 7.2 | 6.5 | 15.7 | | | | | | |
| DNK2-153 | | | 5.3 | 8.1 | 6 | 15.7 | | | | | | |
| DNK2-164 | | | 6.4 | 11 | 10 | 20.5 | | | | | | |
| DNK2-237 | 16~14 | 1.5~2.5 | 3.7 | 5.7 | 6.5 | 15.7 | 5 | 2.3 | 4.1 | 0.8 | 500 | 1 |
| DNK2-237B | | | 3.7 | 6.4 | 6.5 | 15.7 | | | | | | |
| DNK2-243 | | | 4.3 | 6.4 | 6.5 | 15.7 | | | | | | |
| DNK2-243B | | | 4.3 | 7.2 | 6.5 | 15.7 | | | | | | |
| DNK2-253 | | | 5.3 | 8.1 | 7 | 15.7 | | | | | | |
| DNK2-264 | | | 6.4 | 11 | 11 | 20.5 | | | | | | |
| DNK2-537 | 12~10 | 4~6 | 3.7 | 8.2 | 7.5 | 18.2 | 6 | 3.4 | 5.6 | 1 | 200 | 2 |
| DNK2-543 | | | 4.3 | 8.2 | 7.5 | 18.2 | | | | | | |
| DNK2-553 | | | 5.3 | 9 | 7.5 | 18.2 | | | | | | |
| DNK2-564 | | | 6.4 | 12 | 12 | 24 | | | | | | |



A series of horizontal dashed lines for writing, spanning the width of the page.