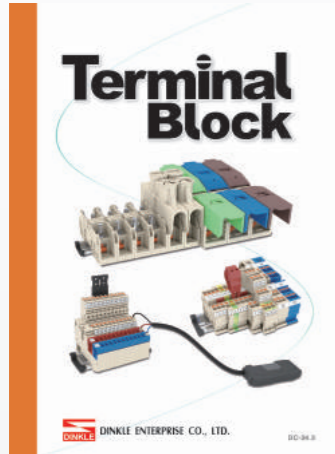
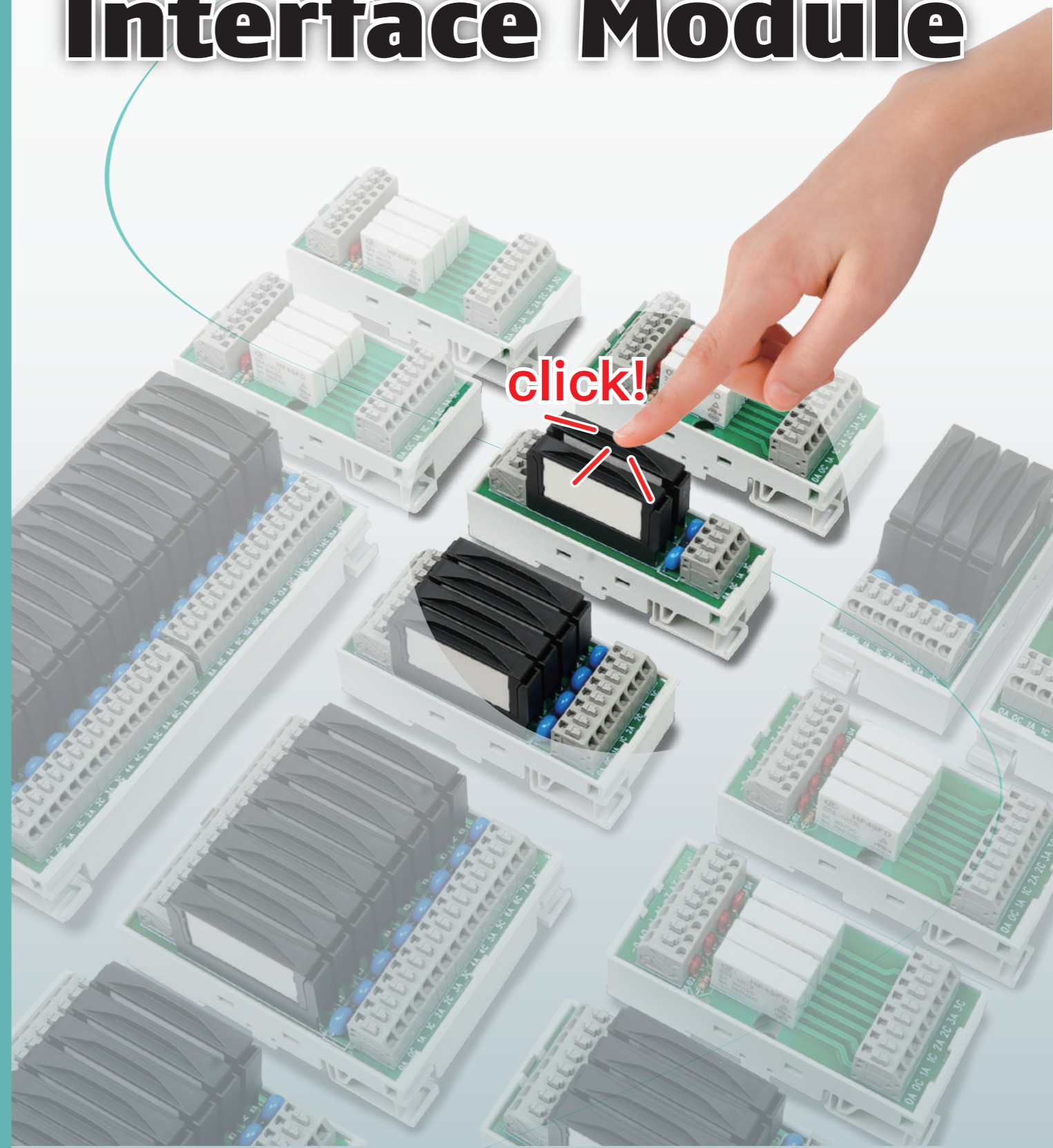


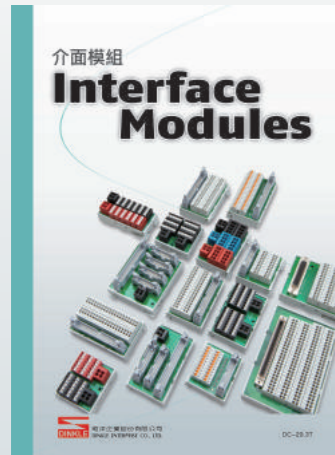
# Micro Relay Interface Module



DIN Rail Terminal Block



PCB Terminal Block  
PCB Connector



Interface Modules



Circular Connector

DINKLE INTERNATIONAL CO., LTD. No.19, Wuquan 2nd Road,Wugu District,  
New Taipei City

TEL:+886-2-8069-9000 7705-6900 FAX:+886-2-2290-1702

DINKLE CORPORATION, USA 13748 Pike Road, Missouri City, Texas, USA 77489

TEL:+1-832-539-4703 Toll-Free:+1-844-273-1850 FAX:+1-832-532-7226

DINKLE S.R.L.,ITALY Via Stabilini n°14, 23864 Malgrate (LC), Italia

TEL:+39/0341176154

Dinkle remains the right of product modification and engineering change of design. The catalogue is for reference only. The final product is made according to actual engineering drawing.

弊社標準品に関しては、修正や設計変更等が行われるため、カタログは参考であり、詳細仕様は図面を基準とする。  
本公司對產品保有修改、設變權，目錄僅供參考，實際產品仍常依照工程圖面為準。

JUN./2023

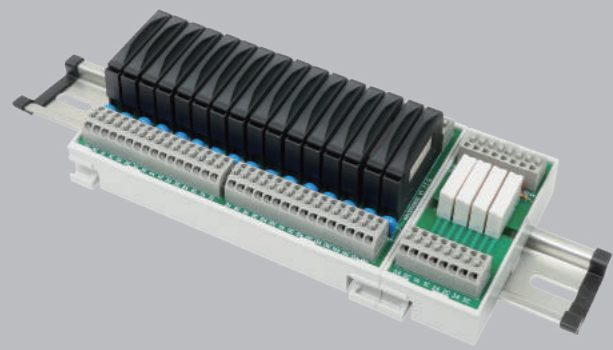


DINKLE INTERNATIONAL CO., LTD.

DF-011



## Micro Relay Interface Module



Highly integrated configuration design minimizes the structure and save installation space

Connected by push-in design terminal block to save wiring time

Clear making system easier to identify when wiring

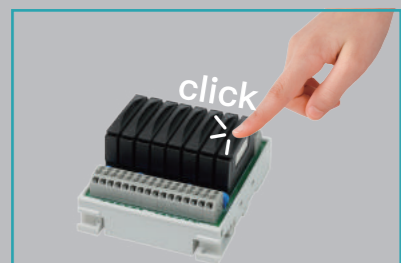
The drawer-type patented structure design can prevent the pin from bending when the relay is replaced. The steps are as follows:



Quickly extract the relay carrier with screwdriver



The relay kept in relay carrier, makes easy replace relay without affect the module base

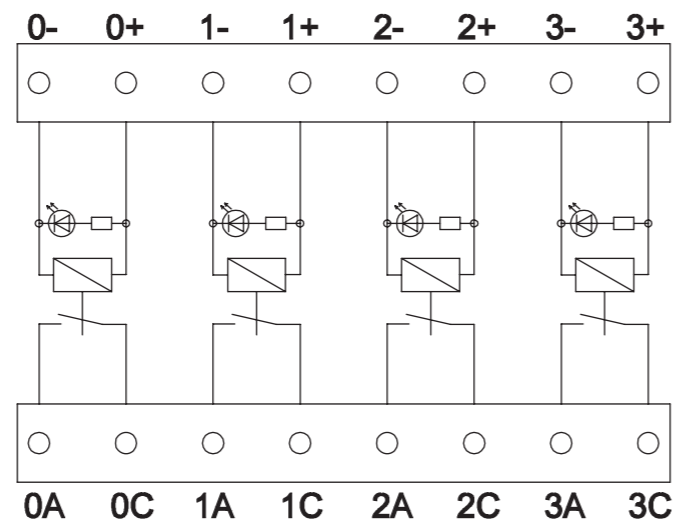


Just snap in then complete the installation, prevent the relay pin from damage



0240-A104B-U-HF

### Connection Diagram



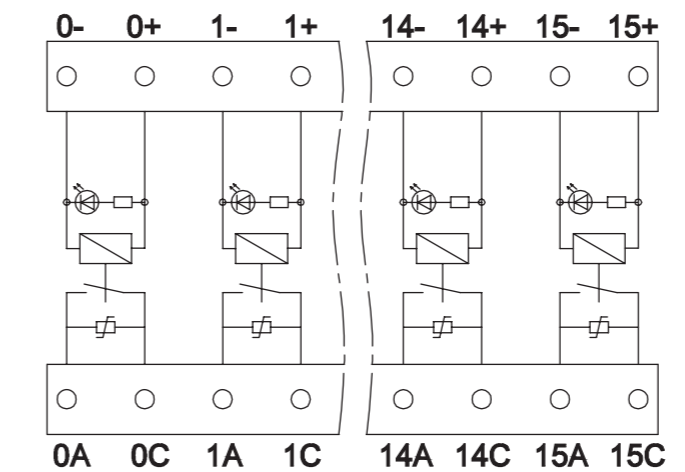
Specification	
Connection method	PID
Wire range	26~16 AWG
Stripping length	9~10mm
Applicable ferrules	DN00510D DN00710D
L X W X H (mm)	77.9x35.2x28
Electrical parameters	
Input	
Input voltage	24VDC
Input current	7.5mA
Output	
Contact form	1A
Output voltage	250VAC/30VDC
Output current	5A

## Micro Relay Interface Module



0240-A1XXBB-U-HF

### Connection Diagram

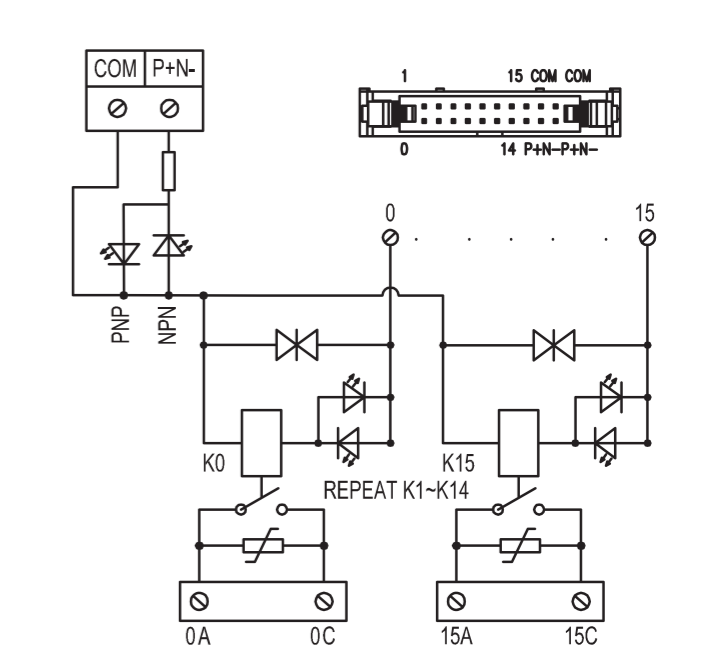


Specification		
Part number	Number of relays	LxWxH(mm)
0240-A102BB-U-HF	2	77.9x25.2x42.8
0240-A104BB-U-HF	4	77.9x35.2x42.8
0240-A108BB-U-HF	8	77.9x65.2x42.8
0240-A116BB-U-HF	16	77.9x125.2x42.8
Specification		
Connection method	PID	
Wire range	26~16 AWG	
Stripping length	9~10mm	
Applicable ferrules	DN00510D DN00710D	
Electrical parameters		
Input		
Input voltage	24VDC	
Input current	7.08mA	
Output		
Contact form	1A	
Output voltage	250VAC/30VDC	
Output current	5A	



0240-A116CB-U-HF

### Connection Diagram



Specification	
Connection method	PID
Wire range	26~16 AWG
Stripping length	9~10mm
Applicable ferrules	DN00510D DN00710D
L X W X H (mm)	77.9x125.2x42.8
Electrical parameters	
Input	
Input type	NPN/PNP
Input voltage	24VDC
Input current	7.08mA
Connector	IDC 20-pin
Output	
Contact form	1A
Output voltage	250VAC/30VDC
Output current	5A