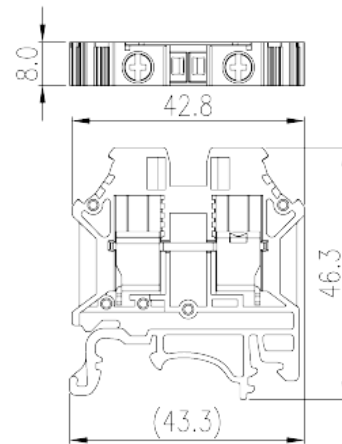
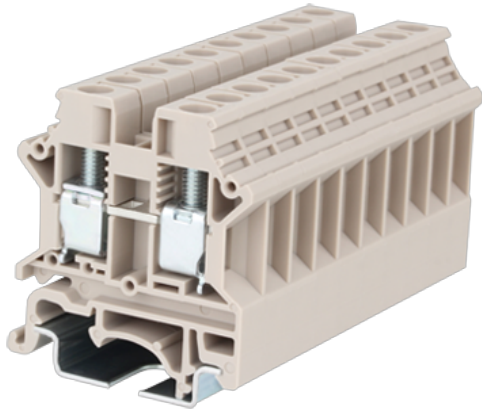


# DK6N

DIN Rail Terminal Blocks &gt; Screw Connection

Date:2026-05-12Version:1.2



The web catalog is for reference only. Dinkle remains the right of product modification and engineering change of the design. The final product is made according to engineering drawing.

## Product Description

M4, 600V, 50A, Beige (default)

## General information

|                     |  |
|---------------------|--|
| Short description   | Single Level Feed-through Terminal Block, Screw Connection |
| Category            | Single Level Feed-through Terminal Block,                  |
| Color               | Beige (default)  |
| Connection method   | Screw connection   |
| Type of locking     | Rail mounting  |
| Length (mm)         | 43.3   |
| Width (mm)          | 8  |
| Height (mm)         | 46.3   |
| Number of positions | □1P  |
| Level               | Single level   |
| Connection points   | 2  |

## Material information

|                           |    |
|---------------------------|----|
| Insulation material       | PA |
| Insulation material group | I  |

|  |                   |
|--|-------------------|
| Flame retardant rating , compliant with UL94 | V0                |
| Insulation resistance                        | □500MΩ at DC 500V |

## Connection data-IEC

|   |         |
|---|---------|
| Rated voltage (V)   | 1000    |
| Rated current (A)   | 41      |
| Rated voltage (III/3)(V)  | 1000    |
| Rated impulse voltage (III/3)(KV)   | 8       |
| Conductor cross section solid. min (mm <sup>2</sup> )   | 0.5     |
| Conductor cross section solid.max (mm <sup>2</sup> )  | 10      |
| Conductor cross section stranded. min (mm <sup>2</sup> )  | 0.5     |
| Conductor cross section stranded. max (mm <sup>2</sup> )  | 6       |
| Conductor cross section flexible, with min ferrule without plastic sleeve (mm <sup>2</sup> )              | 0.5     |
| Conductor cross section flexible, with max ferrule without plastic sleeve (mm <sup>2</sup> )              | 6       |
| Conductor cross section flexible, with min ferrule with plastic sleeve (mm <sup>2</sup> )                 | 0.5     |
| Conductor cross section flexible, with max ferrule with plastic sleeve (mm <sup>2</sup> )                 | 6       |
| 2 conductors with same cross section, solid, min (mm <sup>2</sup> )                                       | 0.5     |
| 2 conductors with same cross section, solid, max (mm <sup>2</sup> )                                       | 6       |
| 2 conductors with same cross section, stranded, min (mm <sup>2</sup> )                                    | 0.5     |
| 2 conductors with same cross section, stranded, max (mm <sup>2</sup> )                                    | 4       |
| 2 conductors with same cross section flexible, with min ferrule without plastic sleeve (mm <sup>2</sup> ) | 0.5     |
| 2 conductors with same cross section flexible, with max ferrule without plastic sleeve (mm <sup>2</sup> ) | 4       |
| 2 conductors with same cross section flexible, min twin ferrules with plastic sleeve (mm <sup>2</sup> )   | 0.5     |
| 2 conductors with same cross section flexible, max twin ferrules with plastic sleeve (mm <sup>2</sup> )   | 4       |
| Screw thread  | M4      |
| Slotted screwdriver size (Blade thickness x Width)(mm)  | 0.8x4.0 |
| Philips screwdriver size  | PH2     |
| Rated torque (N.m)  | 1.2     |
| Stripping Length (mm)   | 12~14   |

|                          |                  |
|--------------------------|------------------|
| Mounting rail            | TS-35 · TS-35/15 |
| End cover plate required | YES              |
| Grounding connections    | NO               |

## Connection data-UL

|  |     |
|--|-----|
| Rated voltage (UL/CUL Group B)(V)                | 600 |
| Rated current (UL/CUL Group B)(A)                | 50  |
| Rated voltage (UL/CUL Group C)(V)                | 600 |
| Rated current (UL/CUL Group C)(A)                | 50  |
| Min. solid wire connection (AWG) acc. to UL/CUL  | 20  |
| Max. solid wire connection AWG acc. to UL/CUL    | 8   |
| Min. stranded wire connection AWG acc. to UL/CUL | 20  |
| Max. stranded wire connection AWG acc. to UL/CUL | 8   |

## Environment & Safety

|   |     |
|---|-----|
| Back of the hand protection (YES or NO) | YES |
| Finger protection (YES or NO)           | YES |
| Operating temperature. max (°C)         | 120 |
| Operating temperature. min (°C)         | -40 |

## UL Recognized

|                            |      |
|----------------------------|------|
| Wire Range (Group B)(AWG)  | 20~8 |
| Rated voltage (Group B)(V) | 600  |
| Rated current (Group B)(A) | 50   |
| Wire Range (Group C)(AWG)  | 20~8 |
| Rated voltage (Group C)(V) | 600  |
| Rated current (Group C)(A) | 50   |

## CUL Recognized

|                            |      |
|----------------------------|------|
| Wire Range (Group B)(AWG)  | 20~8 |
| Rated voltage (Group B)(V) | 600  |
| Rated current (Group B)(A) | 50   |
| Wire Range (Group C)(AWG)  | 20~8 |
| Rated voltage (Group C)(V) | 600  |
| Rated current (Group C)(A) | 50   |

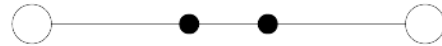
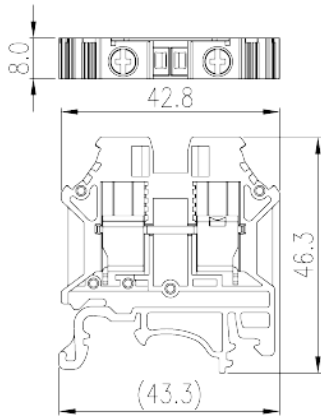
## VDE Approval

|                               |       |
|-------------------------------|-------|
| Wire Range (mm <sup>2</sup> ) | 0.5~6 |
| Rated voltage (V)             | 1000  |
| Rated current (A)             | 41    |

## Explosion - proof Approvals

|                               |         |
|-------------------------------|---------|
| Wire Range (mm <sup>2</sup> ) | 0.5~6.0 |
| Rated voltage (V)             | 630     |
| Rated current (A)             | 41      |

## Drawings



## Approvals

