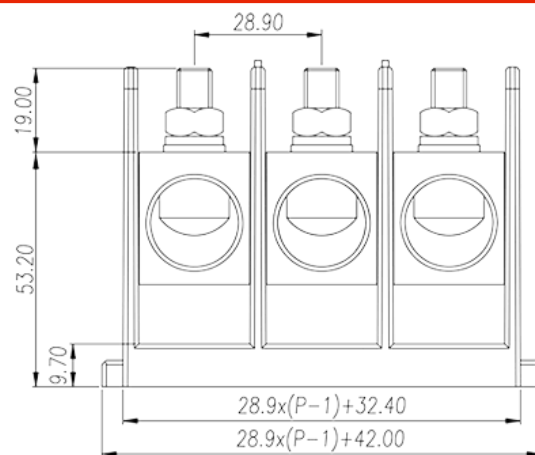


# 0220-13XX

NEMA Terminal Blocks > Panel Mounting

Date:2026-06-16



The web catalog is for reference only. Dinkle remains the right of product modification and engineering change of the design. The final product is made according to engineering drawing.

## Product Description

Pitch : 28.90mm, 1000V, 310A

## General information

Short description	Barrier terminals blocks, Panel Mounting
Category	Panel Mounting
Pitch (mm)	28.90
Color	Black (default)
Connection method	Screw connection
Type of locking	Panel mounting
Length (mm)	$28.9 \times (P-1) + 42.00$
Width (mm)	104.6
Height (mm)	74

## Material information

Insulation material	PBT
Insulation material group	IIIa
Flame retardant rating , compliant with UL94	V0
Conductor material	Copper Alloy
Plating of conductor surface	Ni Plated

## Connection data-IEC

Rated voltage (V)	1000
Rated current (A)	275
Rated voltage (II/2)(V)	1000
Rated voltage (III/2) (V)	1000
Rated voltage (III/3)(V)	1000
Rated impulse voltage (II/2)(KV)	8
Rated impulse voltage (III/2)(KV)	8
Rated impulse voltage (III/3)(KV)	8
Conductor cross section solid. min (mm <sup>2</sup> )	50
Conductor cross section solid.max (mm <sup>2</sup> )	185
Conductor cross section stranded. min (mm <sup>2</sup> )	50
Conductor cross section stranded. max (mm <sup>2</sup> )	185
Screw thread	M8
Slotted screwdriver size (Blade thickness x Width)(mm)	1.0x5.5
Philips screwdriver size	PH3
Rated torque (N.m)	Front : 40N·mBack : 13.9N·m
Recommend tightening torque. min (N.m)	3.5
Recommend tightening torque. max (N.m)	4.2
Stripping Length (mm)	25~26mm

## Connection data-UL

Rated voltage (UL/CUL Group C)(V)	1000
Rated current (UL/CUL Group C)(A)	310
Rated voltage (UL/CUL Group D)(V)	1000
Rated current (UL/CUL Group D)(A)	310

## Environment & Safety

Back of the hand protection (YES or NO)	YES
Finger protection (YES or NO)	NO
Operating temperature. max (°C)	130
Operating temperature. min (°C)	-40

## UL Recognized

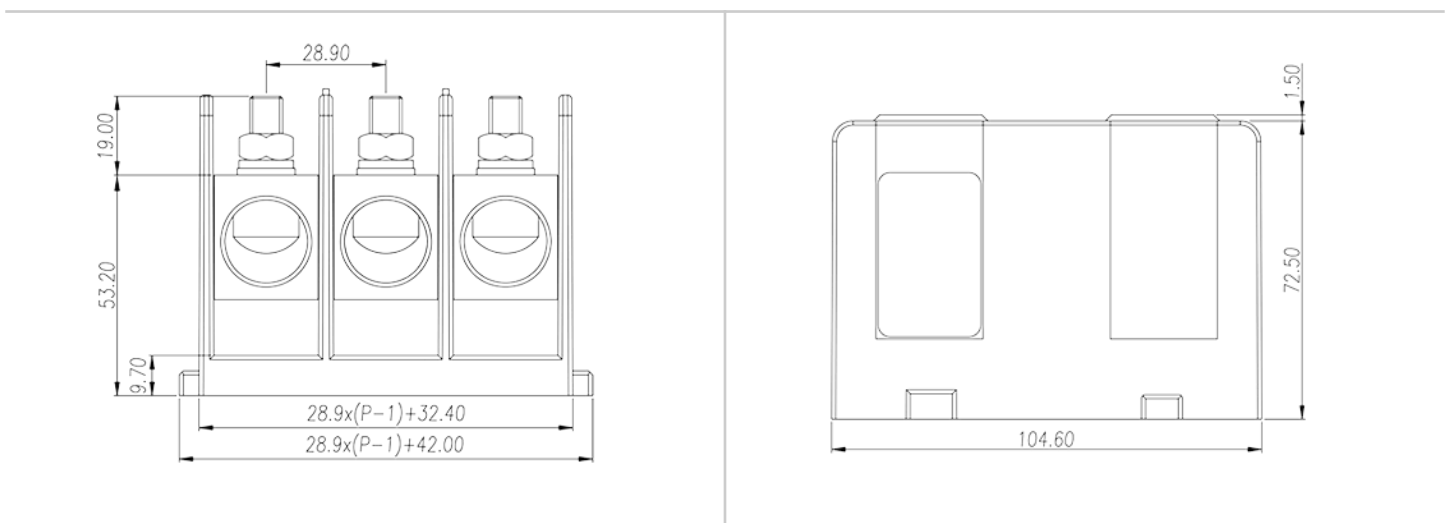
--	--

Wire Range (Group E)(AWG)	1/0~350kcmil
Rated current (Group E)(A)	310

### CUL Recognized

Wire Range (Group E)(AWG)	1/0AWG~350kcmil
Rated voltage (Group E)(V)	1000
Rated current (Group E)(A)	310

### Drawings



### Approvals

