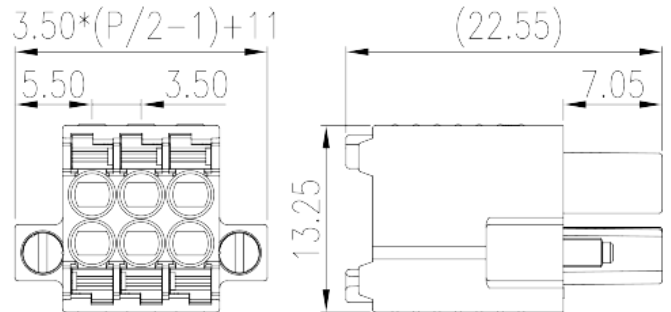
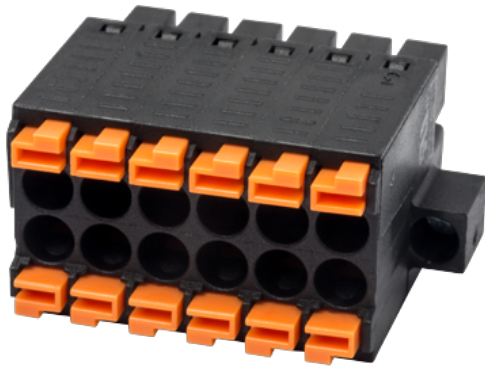


# 0159-01XX

PCB Terminal Blocks &gt; PCB Connector-Plug

Date:2026-05-19Version:1.1



The web catalog is for reference only. Dinkle remains the right of product modification and engineering change of the design. The final product is made according to engineering drawing.

## Product Description

Pitch : 3.50 mm, 300V, 8A

## General information

|                     |                                      |
|---------------------|--------------------------------------|
| Short description   | PCB Connector – Plug, Push-in Design |
| Category            | PCB Connector – Plug                 |
| Pitch (mm)          | 3.50                                 |
| Color               | Black (default)                      |
| Connection method   | Push in Design                       |
| Type of locking     | With screw flange                    |
| Length (mm)         | $3.50*(P/2-1)+11.0$                  |
| Width (mm)          | 22.55                                |
| Height (mm)         | 13.25                                |
| Number of positions | 04P~40P                              |
| Level               | Double level                         |

## Material information

|  |    |
|--|----|
| Insulation material                          | PA |
| Insulation material group                    | I  |
| Flame retardant rating , compliant with UL94 | V0 |

|                              |                   |
|------------------------------|-------------------|
| Insulation resistance        | □500MΩ at DC 500V |
| Conductor material           | COPPER ALLOY      |
| Plating of conductor surface | Tin PLATED        |

## Connection data-IEC

|  |      |
|--|------|
| Rated voltage (V)  | 250  |
| Rated current (A)  | 8    |
| Rated voltage (II/2)(V)  | 320  |
| Rated voltage (III/2) (V)  | 160  |
| Rated voltage (III/3)(V)   | 160  |
| Rated impulse voltage (II/2)(KV)   | 2.5  |
| Rated impulse voltage (III/2)(KV)  | 2.5  |
| Rated impulse voltage (III/3)(KV)  | 2.5  |
| Conductor cross section solid. min (mm <sup>2</sup> )  | 0.2  |
| Conductor cross section solid.max (mm <sup>2</sup> )   | 1.5  |
| Conductor cross section stranded. min (mm <sup>2</sup> )                                     | 0.2  |
| Conductor cross section stranded. max (mm <sup>2</sup> )                                     | 1.5  |
| Conductor cross section flexible, with min ferrule without plastic sleeve (mm <sup>2</sup> ) | 0.25 |
| Conductor cross section flexible, with max ferrule without plastic sleeve (mm <sup>2</sup> ) | 1.5  |
| Conductor cross section flexible, with min ferrule with plastic sleeve (mm <sup>2</sup> )    | 0.25 |
| Conductor cross section flexible, with max ferrule with plastic sleeve (mm <sup>2</sup> )    | 0.75 |
| Tightening torque with flange. max (N.m)   | 0.1  |
| Stripping Length (mm)  | 9~10 |

## Connection data-UL

|  |     |
|--|-----|
| Rated voltage (UL/CUL Group B)(V)                | 300 |
| Rated current (UL/CUL Group B)(A)                | 8   |
| Min. solid wire connection (AWG) acc. to UL/CUL  | 24  |
| Max. solid wire connection AWG acc. to UL/CUL    | 16  |
| Min. stranded wire connection AWG acc. to UL/CUL | 24  |
| Max. stranded wire connection AWG acc. to UL/CUL | 16  |

## Environment & Safety

|                                 |     |
|---------------------------------|-----|
| Finger protection (YES or NO)   | YES |
| Operating temperature. max (°C) | 120 |
| Operating temperature. min (°C) | -40 |

### UL Recognized

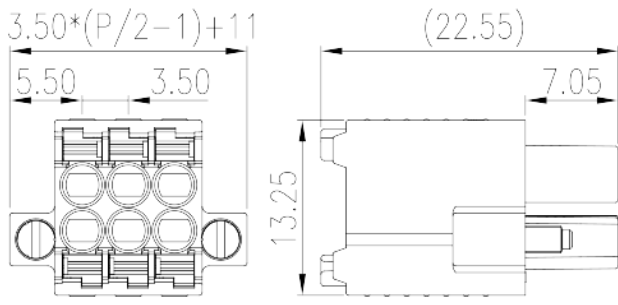
|                            |       |
|----------------------------|-------|
| Wire Range (Group B)(AWG)  | 24~16 |
| Rated voltage (Group B)(V) | 300   |
| Rated current (Group B)(A) | 8     |
| Wire Range (Group C)(AWG)  | 24~16 |
| Rated voltage (Group C)(V) | 50    |
| Rated current (Group C)(A) | 8     |
| Wire Range (Group D)(AWG)  | 24-16 |
| Rated voltage (Group D)(V) | 300   |
| Rated current (Group D)(A) | 8     |

### CUL Recognized

|                            |       |
|----------------------------|-------|
| Wire Range (Group B)(AWG)  | 24~16 |
| Rated voltage (Group B)(V) | 300   |
| Rated current (Group B)(A) | 8     |
| Wire Range (Group C)(AWG)  | 24~16 |
| Rated voltage (Group C)(V) | 50    |
| Rated current (Group C)(A) | 8     |
| Wire Ranget (Group D)(AWG) | 24~16 |
| Rated voltage (Group D)(V) | 300   |
| Rated current (Group D)(A) | 8     |

### Drawings

|  |  |
|--|--|
|  |  |
|--|--|



## Approvals

