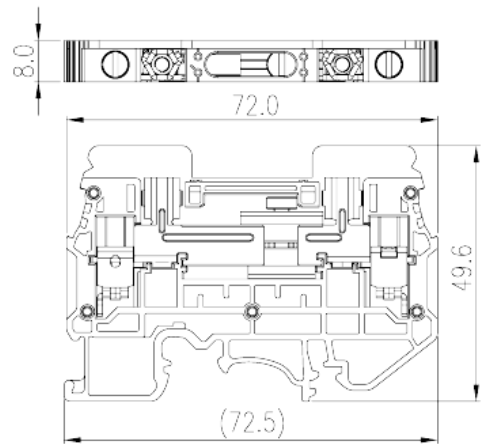
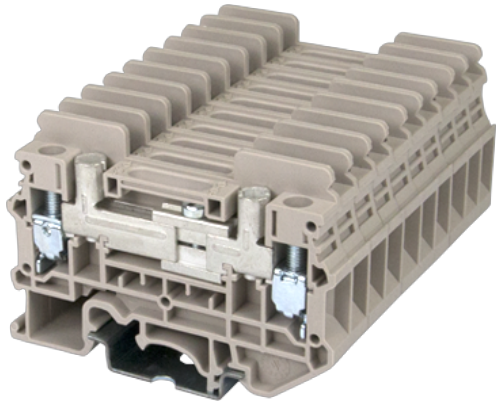


# DKTD6N

DIN Rail Terminal Blocks &gt; Screw Connection

Date:2026-06-05Version:1.2



The web catalog is for reference only. Dinkle remains the right of product modification and engineering change of the design. The final product is made according to engineering drawing.

## Product Description

M4, 300V, 42A, Beige (default)

## General information

|                     |  |
|---------------------|--|
| Short description   | Disconnect Test Terminal Block, Screw Connection |
| Category            | Disconnect Test Terminal Block                   |
| Color               | Beige (default)                                  |
| Connection method   | Screw connection                                 |
| Type of locking     | Rail mounting                                    |
| Length (mm)         | 72.5   |
| Width (mm)          | 8  |
| Height (mm)         | 49.6   |
| Number of positions | □1P  |
| Level               | Single level                                     |
| Connection points   | 2  |

## Material information

|  |    |
|--|----|
| Insulation material                          | PA |
| Insulation material group                    | I  |
| Flame retardant rating , compliant with UL94 | V0 |

Insulation resistance

 $\geq 500M\Omega$  at DC 500V

## Connection data-IEC

|   |                  |
|---|------------------|
| Rated voltage (V)   | 800              |
| Rated current (A)   | 41               |
| Rated voltage (III/3)(V)  | 800              |
| Rated impulse voltage (III/3)(KV)   | 8                |
| Conductor cross section solid. min (mm <sup>2</sup> )   | 0.5              |
| Conductor cross section solid.max (mm <sup>2</sup> )  | 10               |
| Conductor cross section stranded. min (mm <sup>2</sup> )  | 0.5              |
| Conductor cross section stranded. max (mm <sup>2</sup> )  | 6                |
| Conductor cross section flexible, with min ferrule without plastic sleeve (mm <sup>2</sup> )              | 0.5              |
| Conductor cross section flexible, with max ferrule without plastic sleeve (mm <sup>2</sup> )              | 6                |
| Conductor cross section flexible, with min ferrule with plastic sleeve (mm <sup>2</sup> )                 | 0.5              |
| Conductor cross section flexible, with max ferrule with plastic sleeve (mm <sup>2</sup> )                 | 6                |
| 2 conductors with same cross section, solid, min (mm <sup>2</sup> )                                       | 0.5              |
| 2 conductors with same cross section, solid, max (mm <sup>2</sup> )                                       | 4                |
| 2 conductors with same cross section, stranded, min (mm <sup>2</sup> )                                    | 0.5              |
| 2 conductors with same cross section, stranded, max (mm <sup>2</sup> )                                    | 4                |
| 2 conductors with same cross section flexible, with min ferrule without plastic sleeve (mm <sup>2</sup> ) | 0.5              |
| 2 conductors with same cross section flexible, with max ferrule without plastic sleeve (mm <sup>2</sup> ) | 2.5              |
| 2 conductors with same cross section flexible, min twin ferrules with plastic sleeve (mm <sup>2</sup> )   | 0.5              |
| 2 conductors with same cross section flexible, max twin ferrules with plastic sleeve (mm <sup>2</sup> )   | 4                |
| Screw thread  | M4&M3            |
| Slotted screwdriver size (Blade thickness x Width)(mm)  | 0.8x4.0          |
| Stripping Length (mm)   | 9~10             |
| Mounting rail   | TS-35 · TS-35/15 |
| End cover plate required  | YES              |
| Grounding connections   | NO               |

## Connection data-UL

|  |     |
|--|-----|
| Rated voltage (UL/CUL Group B)(V)                | 300 |
| Rated current (UL/CUL Group B)(A)                | 42  |
| Rated voltage (UL/CUL Group C)(V)                | 300 |
| Rated current (UL/CUL Group C)(A)                | 42  |
| Min. solid wire connection (AWG) acc. to UL/CUL  | 20  |
| Max. solid wire connection AWG acc. to UL/CUL    | 8   |
| Min. stranded wire connection AWG acc. to UL/CUL | 20  |
| Max. stranded wire connection AWG acc. to UL/CUL | 8   |

## Environment & Safety

|   |     |
|---|-----|
| Back of the hand protection (YES or NO) | YES |
| Finger protection (YES or NO)           | YES |
| Operating temperature. max (°C)         | 120 |
| Operating temperature. min (°C)         | -40 |

## UL Recognized

|                            |      |
|----------------------------|------|
| Wire Range (Group B)(AWG)  | 20~8 |
| Rated voltage (Group B)(V) | 300  |
| Rated current (Group B)(A) | 42   |
| Wire Range (Group C)(AWG)  | 20~8 |
| Rated voltage (Group C)(V) | 300  |
| Rated current (Group C)(A) | 42   |

## CUL Recognized

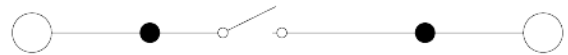
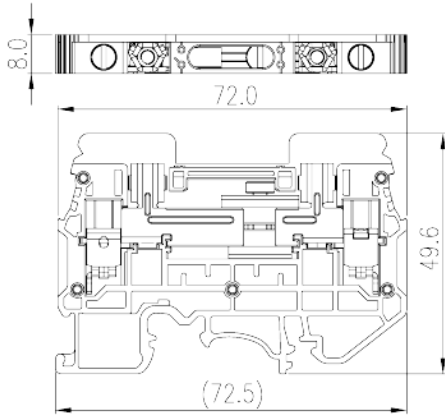
|                            |      |
|----------------------------|------|
| Wire Range (Group B)(AWG)  | 20~8 |
| Rated voltage (Group B)(V) | 300  |
| Rated current (Group B)(A) | 42   |
| Wire Range (Group C)(AWG)  | 20~8 |
| Rated voltage (Group C)(V) | 300  |
| Rated current (Group C)(A) | 42   |

## VDE Approval

|                               |       |
|-------------------------------|-------|
| Wire Range (mm <sup>2</sup> ) | 0.5~6 |
|-------------------------------|-------|

|                   |     |
|-------------------|-----|
| Rated voltage (V) | 800 |
| Rated current (A) | 41  |

## Drawings



## Approvals

