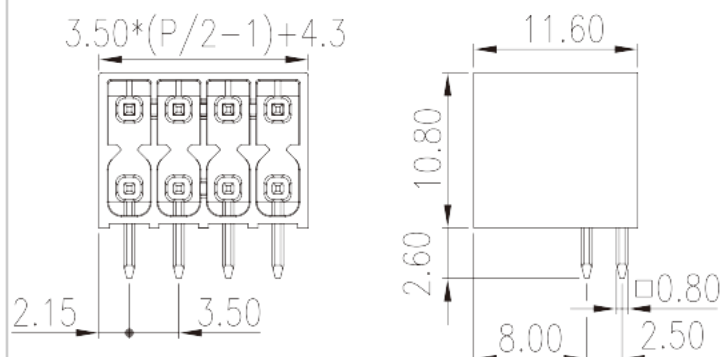


0159-31XXLWR

PCB Terminal Blocks > In tape-on-reel packing

Date:2026-05-26Version:V1



The web catalog is for reference only. Dinkle remains the right of product modification and engineering change of the design. The final product is made according to engineering drawing.

Product Description

Pitch : 3.50 mm, 150V, 8A

General information

| | |
|--|---|
| Short description | PCB connector Socket, Reflow soldering |
| Category | PCB Connector–Socket |
| Pitch (mm) | 3.5 |
| Color | Black (default) |
| Type of locking | Without |
| Soldering method | Reflow Soldering (Temperature condition according to standard IPC/JEDEC J-STD-020E) |
| Length (mm) | $3.50*(P/2-1)+4.3$ |
| Width (mm) | 11.6 |
| Height (mm) | 10.8 |
| Pin demensions (Thickness x Width)(mm) | 0.8x0.8 |
| PCB hole diameter (mm) | 1.4 |
| Number of positions | 04P~40P |
| Level | Double level |

Material information

| | |
|--|---------------------------|
| Insulation material | HIGH-TEMPERATURE PLASTICS |
| Insulation material group | IIIa |
| Flame retardant rating , compliant with UL94 | V0 |
| Insulation resistance | □500MΩ at DC 500V |
| Conductor material | COPPER ALLOY |
| Plating of conductor surface | Tin PLATED |
| MSL | 1 |

Connection data-IEC

| | |
|-----------------------------------|-----|
| Rated voltage (V) | 250 |
| Rated current (A) | 8 |
| Rated voltage (II/2)(V) | 250 |
| Rated voltage (III/2) (V) | 160 |
| Rated voltage (III/3)(V) | 160 |
| Rated impulse voltage (II/2)(KV) | 2.5 |
| Rated impulse voltage (III/2)(KV) | 2.5 |
| Rated impulse voltage (III/3)(KV) | 2.5 |

Connection data-UL

| | |
|-----------------------------------|-----|
| Rated voltage (UL/CUL Group B)(V) | 300 |
| Rated current (UL/CUL Group B)(A) | 8 |

Environment & Safety

| | |
|---------------------------------|-----|
| Finger protection (YES or NO) | YES |
| Operating temperature. max (°C) | 120 |
| Operating temperature. min (°C) | -40 |

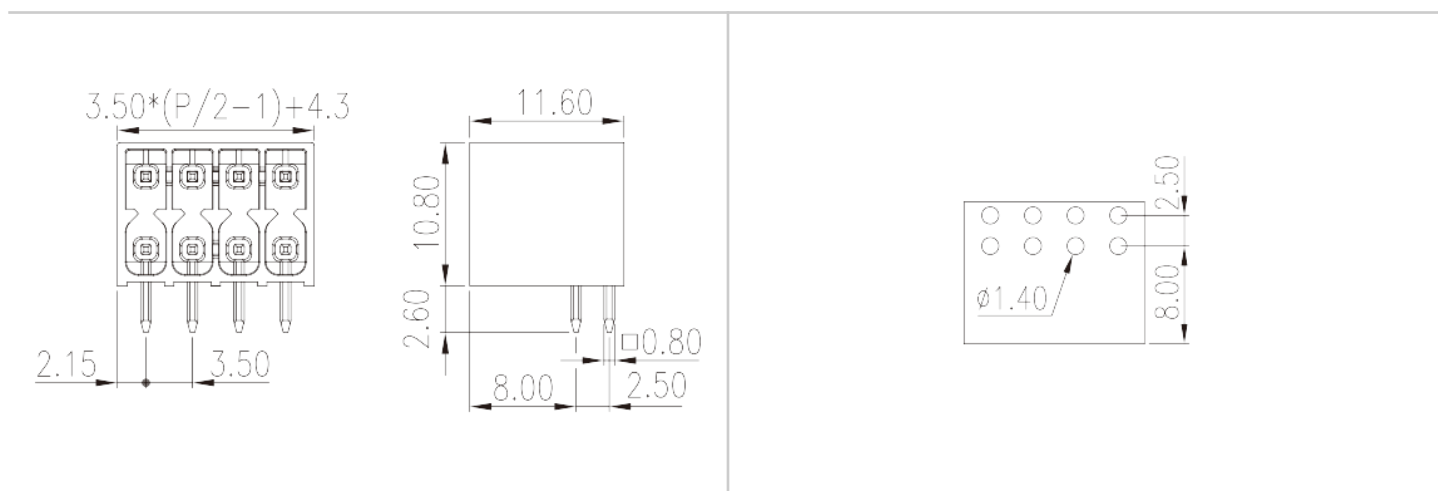
UL Recognized

| | |
|----------------------------|-----|
| Rated voltage (Group B)(V) | 150 |
| Rated current (Group B)(A) | 8 |
| Rated voltage (Group C)(V) | 50 |
| Rated current (Group C)(A) | 8 |
| Rated voltage (Group D)(V) | 300 |
| Rated current (Group D)(A) | 8 |

CUL Recognized

| | |
|----------------------------|-----|
| Rated voltage (Group B)(V) | 150 |
| Rated current (Group B)(A) | 8 |
| Rated voltage (Group C)(V) | 50 |
| Rated current (Group C)(A) | 8 |
| Rated voltage (Group D)(V) | 300 |
| Rated current (Group D)(A) | 8 |

Drawings



Approvals

