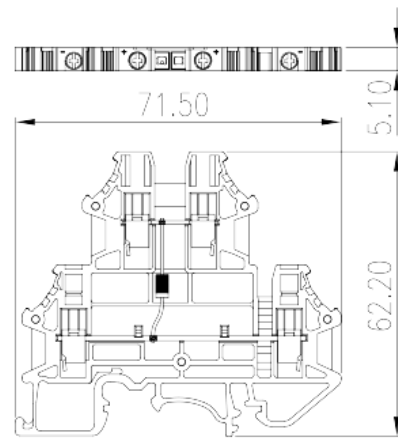
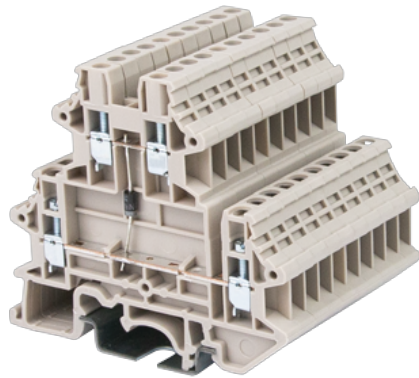


# DKK2.5N-D02

DIN Rail Terminal Blocks &gt; Screw Connection

Date:2026-04-29Version:1.2



The web catalog is for reference only. Dinkle remains the right of product modification and engineering change of the design. The final product is made according to engineering drawing.

## Product Description

M2.5, 250V, 0.5A, Beige (default)

## General information

|                     |   |
|---------------------|---|
| Short description   | DIN rail terminal blocks, Diode terminal blocks |
| Category            | Diode terminal blocks                           |
| Color               | Beige (default)                                 |
| Connection method   | Screw connection                                |
| Type of locking     | Rail mounting                                   |
| Length (mm)         | 71.5  |
| Width (mm)          | 5.1   |
| Height (mm)         | 62.2  |
| Number of positions | □1P   |
| Level               | Double level                                    |
| Connection points   | 4   |

## Material information

|  |    |
|--|----|
| Insulation material                          | PA |
| Insulation material group                    | I  |
| Flame retardant rating , compliant with UL94 | V0 |

Insulation resistance

 $\geq 500\text{M}\Omega$  at DC 500V

## Connection data-IEC

|   |         |
|---|---------|
| Rated voltage (V)   | 250     |
| Rated current (A)   | 0.5     |
| Rated voltage (III/3)(V)  | 250     |
| Rated impulse voltage (II/2)(KV)  | 6       |
| Rated impulse voltage (III/2)(KV)   | 6       |
| Rated impulse voltage (III/3)(KV)   | 6       |
| Conductor cross section solid. min (mm <sup>2</sup> )   | 0.34    |
| Conductor cross section solid.max (mm <sup>2</sup> )  | 4       |
| Conductor cross section stranded. min (mm <sup>2</sup> )  | 0.34    |
| Conductor cross section stranded. max (mm <sup>2</sup> )  | 2.5     |
| Conductor cross section flexible, with min ferrule without plastic sleeve (mm <sup>2</sup> )              | 0.34    |
| Conductor cross section flexible, with max ferrule without plastic sleeve (mm <sup>2</sup> )              | 2.5     |
| Conductor cross section flexible, with min ferrule with plastic sleeve (mm <sup>2</sup> )                 | 0.34    |
| Conductor cross section flexible, with max ferrule with plastic sleeve (mm <sup>2</sup> )                 | 2.5     |
| 2 conductors with same cross section, solid, min (mm <sup>2</sup> )                                       | 0.34    |
| 2 conductors with same cross section, solid, max (mm <sup>2</sup> )                                       | 2.5     |
| 2 conductors with same cross section, stranded, min (mm <sup>2</sup> )                                    | 0.34    |
| 2 conductors with same cross section, stranded, max (mm <sup>2</sup> )                                    | 2.5     |
| 2 conductors with same cross section flexible, with min ferrule without plastic sleeve (mm <sup>2</sup> ) | 0.34    |
| 2 conductors with same cross section flexible, with max ferrule without plastic sleeve (mm <sup>2</sup> ) | 1.5     |
| 2 conductors with same cross section flexible, min twin ferrules with plastic sleeve (mm <sup>2</sup> )   | 0.5     |
| 2 conductors with same cross section flexible, max twin ferrules with plastic sleeve (mm <sup>2</sup> )   | 1       |
| Screw thread  | M2.5    |
| Slotted screwdriver size (Blade thickness x Width)(mm)  | 0.4x2.5 |
| Philips screwdriver size  | PH0     |
| Rated torque (N.m)  | 0.4     |

|  |       |
|--|-------|
| Recommend tightening torque. min (N.m) | 0.4   |
| Recommend tightening torque. max (N.m) | 0.5   |
| Stripping Length (mm)                  | 9~11  |
| Mounting rail                          | TS-35 |
| End cover plate required               | YES   |
| Grounding connections                  | NO    |

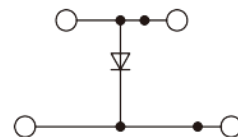
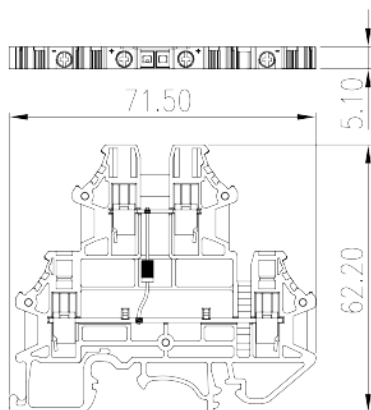
## Connection data-UL

|  |     |
|--|-----|
| Rated voltage (UL/CUL Group B)(V)                | 250 |
| Rated current (UL/CUL Group B)(A)                | 0.5 |
| Rated voltage (UL/CUL Group C)(V)                | 250 |
| Rated current (UL/CUL Group C)(A)                | 0.5 |
| Min. solid wire connection (AWG) acc. to UL/CUL  | 22  |
| Max. solid wire connection AWG acc. to UL/CUL    | 12  |
| Min. stranded wire connection AWG acc. to UL/CUL | 22  |
| Max. stranded wire connection AWG acc. to UL/CUL | 12  |

## Environment & Safety

|   |     |
|---|-----|
| Back of the hand protection (YES or NO) | YES |
| Finger protection (YES or NO)           | YES |
| Operating temperature. max (°C)         | 120 |
| Operating temperature. min (°C)         | -40 |

## Drawings



## Approvals

---

