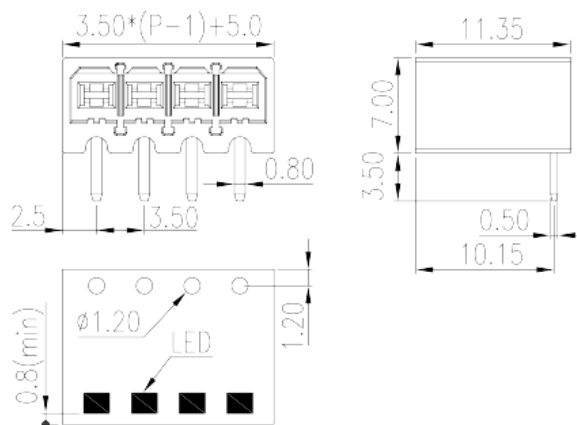
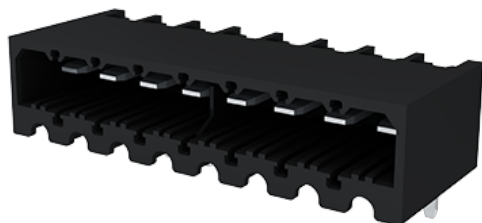


# 0225-33XX

PCB Terminal Blocks > PCB Connector-Socket

Date:2026-04-04



The web catalog is for reference only. Dinkle remains the right of product modification and engineering change of the design. The final product is made according to engineering drawing.

## Product Description

Pitch: 3.50mm, 300V, 8A

## General information

|  |  |
|--|--|
| Short description                      | PCB Connector – Socket, Wave soldering |
| Category                               | PCB Connector – Socket                 |
| Pitch (mm)                             | 3.5                                    |
| Color                                  | Black (default)                        |
| Type of locking                        | Without                                |
| Soldering method                       | Wave soldering                         |
| Length (mm)                            | $3.50 \times (P-1) + 5$                |
| Width (mm)                             | 11.35                                  |
| Height (mm)                            | 7                                      |
| Pin demensions (Thickness x Width)(mm) | 0.5x0.8                                |
| PCB hole diameter (mm)                 | 1.2                                    |
| Number of positions                    | 02P~14P                                |
| Level                                  | Single level                           |

## Material information

|                     |    |
|---------------------|----|
| Insulation material | PA |
|---------------------|----|

|  |                               |
|--|-------------------------------|
| Insulation material group                    | I                             |
| Flame retardant rating , compliant with UL94 | V0                            |
| Insulation resistance                        | □500MΩ at DC 500V             |
| Conductor material                           | HIGH PERFORMANCE COPPER ALLOY |
| Plating of conductor surface                 | Tin PLATED                    |

## Connection data-IEC

|                                   |     |
|-----------------------------------|-----|
| Rated voltage (V)                 | 630 |
| Rated current (A)                 | 15  |
| Rated voltage (II/2)(V)           | 630 |
| Rated voltage (III/2) (V)         | 320 |
| Rated voltage (III/3)(V)          | 250 |
| Rated impulse voltage (II/2)(KV)  | 4   |
| Rated impulse voltage (III/2)(KV) | 4   |
| Rated impulse voltage (III/3)(KV) | 4   |

## Connection data-UL

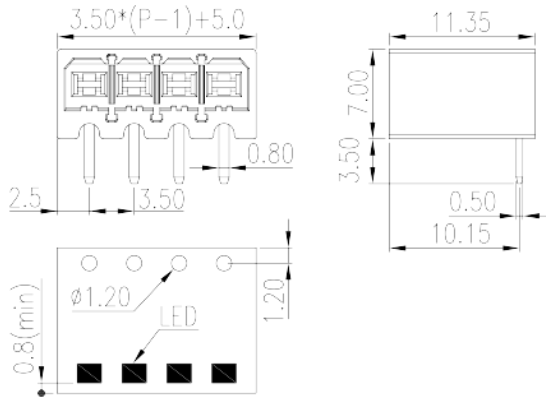
|                                   |     |
|-----------------------------------|-----|
| Rated voltage (UL/CUL Group B)(V) | 300 |
| Rated current (UL/CUL Group B)(A) | 8   |
| Rated voltage (UL/CUL Group D)(V) | 300 |
| Rated current (UL/CUL Group D)(A) | 8   |

## Environment & Safety

|                                 |     |
|---------------------------------|-----|
| Finger protection (YES or NO)   | YES |
| Operating temperature. max (°C) | 120 |
| Operating temperature. min (°C) | -40 |

## Drawings

|  |  |
|--|--|
|  |  |
|--|--|



## Approvals

