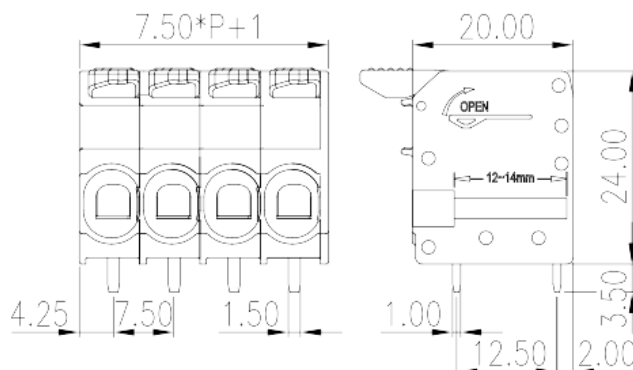
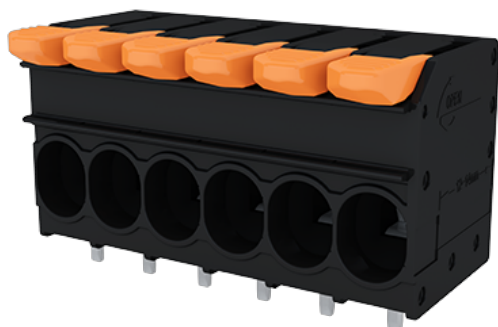


# 0290-31XX

PCB Terminal Blocks > PCB Terminal Blocks

Date:2026-05-04



The web catalog is for reference only. Dinkle remains the right of product modification and engineering change of the design. The final product is made according to engineering drawing.

## Product Description

Pitch :7.50mm, 400V, 40A

## General information

|  |                                     |
|--|-------------------------------------|
| Short description                      | PCB Terminal Blocks, Push-in Design |
| Category                               | PCB Terminal Blocks                 |
| Pitch (mm)                             | 7.5                                 |
| Color                                  | Black (default)                     |
| Connection method                      | Push-in Design                      |
| Type of locking                        | Without                             |
| Soldering method                       | Wave Soldering                      |
| Length (mm)                            | $7.50*(P-1)+8.5$                    |
| Width (mm)                             | 20                                  |
| Height (mm)                            | 24                                  |
| Pin dimensions (Thickness x Width)(mm) | 1x1.7                               |
| PCB hole diameter (mm)                 | 3.5                                 |
| Number of positions                    | 02P~12P                             |
| Level                                  | Single level                        |
| Connection points                      | 2~12                                |

## Material information

|  |                   |
|--|-------------------|
| Insulation material                          | PA                |
| Insulation material group                    | I                 |
| Flame retardant rating , compliant with UL94 | V0                |
| Insulation resistance                        | □500MΩ at DC 500V |
| Conductor material                           | COPPER ALLOY      |
| Plating of conductor surface                 | Tin PLATED        |

## Connection data-IEC

|   |       |
|---|-------|
| Rated voltage (V)   | 630   |
| Rated current (A)   | 41    |
| Rated voltage (II/2)(V)   | 1000  |
| Rated voltage (III/2) (V)   | 630   |
| Rated voltage (III/3)(V)  | 400   |
| Rated impulse voltage (II/2)(KV)  | 6     |
| Rated impulse voltage (III/2)(KV)   | 6     |
| Rated impulse voltage (III/3)(KV)   | 6     |
| Conductor cross section solid. min (mm <sup>2</sup> )   | 0.2   |
| Conductor cross section solid.max (mm <sup>2</sup> )  | 6     |
| Conductor cross section stranded. min (mm <sup>2</sup> )  | 0.2   |
| Conductor cross section stranded. max (mm <sup>2</sup> )  | 6     |
| Conductor cross section flexible, with min ferrule without plastic sleeve (mm <sup>2</sup> )            | 0.25  |
| Conductor cross section flexible, with max ferrule without plastic sleeve (mm <sup>2</sup> )            | 6     |
| Conductor cross section flexible, with min ferrule with plastic sleeve (mm <sup>2</sup> )               | 0.25  |
| Conductor cross section flexible, with max ferrule with plastic sleeve (mm <sup>2</sup> )               | 6     |
| 2 conductors with same cross section flexible, min twin ferrules with plastic sleeve (mm <sup>2</sup> ) | 0.5   |
| 2 conductors with same cross section flexible, max twin ferrules with plastic sleeve (mm <sup>2</sup> ) | 2.5   |
| Stripping Length (mm)   | 12~14 |

## Connection data-UL

|                                   |     |
|-----------------------------------|-----|
| Rated voltage (UL/CUL Group B)(V) | 300 |
|-----------------------------------|-----|

|  |     |
|--|-----|
| Rated current (UL/CUL Group B)(A)                | 40  |
| Rated voltage (UL/CUL Group C)(V)                | 150 |
| Rated current (UL/CUL Group C)(A)                | 40  |
| Rated voltage (UL/CUL Group D)(V)                | 600 |
| Rated current (UL/CUL Group D)(A)                | 5   |
| Min. solid wire connection (AWG) acc. to UL/CUL  | 24  |
| Max. solid wire connection AWG acc. to UL/CUL    | 8   |
| Min. stranded wire connection AWG acc. to UL/CUL | 24  |
| Max. stranded wire connection AWG acc. to UL/CUL | 8   |

## Environment & Safety

|                                 |     |
|---------------------------------|-----|
| Finger protection (YES or NO)   | YES |
| Operating temperature. max (°C) | 120 |
| Operating temperature. min (°C) | -40 |

## UL Recognized

|                            |      |
|----------------------------|------|
| Wire Range (Group B)(AWG)  | 24~8 |
| Rated voltage (Group B)(V) | 300  |
| Rated current (Group B)(A) | 40   |
| Wire Range (Group C)(AWG)  | 24~8 |
| Rated voltage (Group C)(V) | 150  |
| Rated current (Group C)(A) | 40   |
| Wire Range (Group D)(AWG)  | 24~8 |
| Rated voltage (Group D)(V) | 600  |
| Rated current (Group D)(A) | 5    |

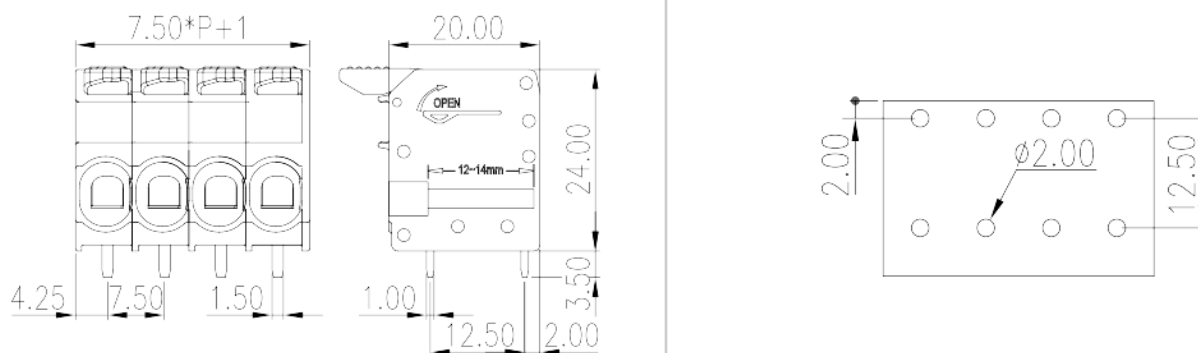
## CUL Recognized

|                            |      |
|----------------------------|------|
| Wire Range (Group B)(AWG)  | 24~8 |
| Rated voltage (Group B)(V) | 300  |
| Rated current (Group B)(A) | 40   |
| Wire Range (Group C)(AWG)  | 24~8 |
| Rated voltage (Group C)(V) | 150  |
| Rated current (Group C)(A) | 40   |
| Wire Ranget (Group D)(AWG) | 24~8 |
| Rated voltage (Group D)(V) | 600  |

Rated current (Group D)(A)

5

## Drawings



## Approvals

