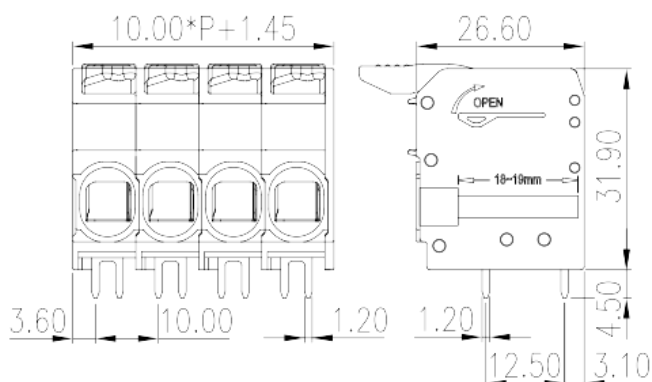
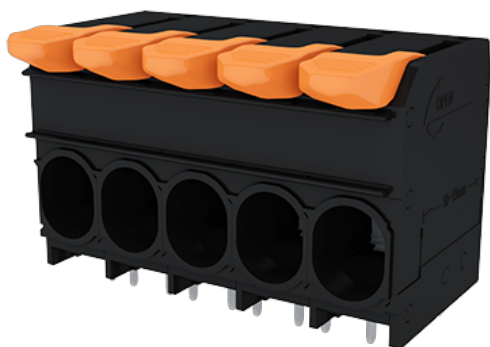


# 0290-41XX

PCB Terminal Blocks > PCB Terminal Blocks

Date:2026-06-19



The web catalog is for reference only. Dinkle remains the right of product modification and engineering change of the design. The final product is made according to engineering drawing.

## Product Description

Pitch :10.00mm, 400V, 66A

## General information

Short description	PCB Terminal Blocks, Push-in Design
Category	PCB Terminal Blocks
Pitch (mm)	10
Color	Black (default)
Connection method	Push-in Design
Type of locking	Without
Soldering method	Wave Soldering
Length (mm)	$10.00*(P-1)+11.45$
Width (mm)	26.6
Height (mm)	31.9
Pin dimensions (Thickness x Width)(mm)	1.2x1.2
PCB hole diameter (mm)	1.6
Number of positions	02P~12P
Level	Single level
Connection points	2~12

## Material information

Insulation material	PA
Insulation material group	I
Flame retardant rating , compliant with UL94	V0
Insulation resistance	□500MΩ at DC 500V
Conductor material	COPPER ALLOY
Plating of conductor surface	Tin PLATED

## Connection data-IEC

Rated voltage (V)	400
Rated current (A)	76
Rated voltage (II/2)(V)	800
Rated voltage (III/2) (V)	400
Rated voltage (III/3)(V)	400
Rated impulse voltage (II/2)(KV)	4
Rated impulse voltage (III/2)(KV)	4
Rated impulse voltage (III/3)(KV)	4
Conductor cross section solid. min (mm <sup>2</sup> )	0.75
Conductor cross section solid.max (mm <sup>2</sup> )	16
Conductor cross section stranded. min (mm <sup>2</sup> )	0.75
Conductor cross section stranded. max (mm <sup>2</sup> )	16
Conductor cross section flexible, with min ferrule without plastic sleeve (mm <sup>2</sup> )	0.75
Conductor cross section flexible, with max ferrule without plastic sleeve (mm <sup>2</sup> )	16
Conductor cross section flexible, with min ferrule with plastic sleeve (mm <sup>2</sup> )	0.75
Conductor cross section flexible, with max ferrule with plastic sleeve (mm <sup>2</sup> )	10
2 conductors with same cross section flexible, min twin ferrules with plastic sleeve (mm <sup>2</sup> )	0.75
2 conductors with same cross section flexible, max twin ferrules with plastic sleeve (mm <sup>2</sup> )	6
Stripping Length (mm)	18~19

## Connection data-UL

Rated voltage (UL/CUL Group B)(V)	300
-----------------------------------	-----

Rated current (UL/CUL Group B)(A)	66
Rated voltage (UL/CUL Group C)(V)	150
Rated current (UL/CUL Group C)(A)	66
Rated voltage (UL/CUL Group D)(V)	600
Rated current (UL/CUL Group D)(A)	5
Min. solid wire connection (AWG) acc. to UL/CUL	18
Max. solid wire connection AWG acc. to UL/CUL	4
Min. stranded wire connection AWG acc. to UL/CUL	18
Max. stranded wire connection AWG acc. to UL/CUL	4

## Environment & Safety

Finger protection (YES or NO)	YES
Operating temperature. max (°C)	120
Operating temperature. min (°C)	-40

## UL Recognized

Wire Range (Group B)(AWG)	18~4
Rated voltage (Group B)(V)	300
Rated current (Group B)(A)	66
Wire Range (Group C)(AWG)	18~4
Rated voltage (Group C)(V)	150
Rated current (Group C)(A)	66
Wire Range (Group D)(AWG)	18~4
Rated voltage (Group D)(V)	600
Rated current (Group D)(A)	5

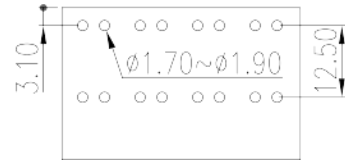
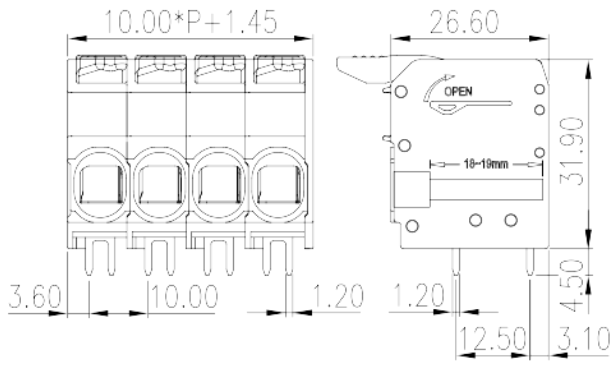
## CUL Recognized

Wire Range (Group B)(AWG)	18~4
Rated voltage (Group B)(V)	300
Rated current (Group B)(A)	66
Wire Range (Group C)(AWG)	18~4
Rated voltage (Group C)(V)	150
Rated current (Group C)(A)	66
Wire Ranget (Group D)(AWG)	18~4
Rated voltage (Group D)(V)	600

Rated current (Group D)(A)

5

## Drawings



## Approvals

