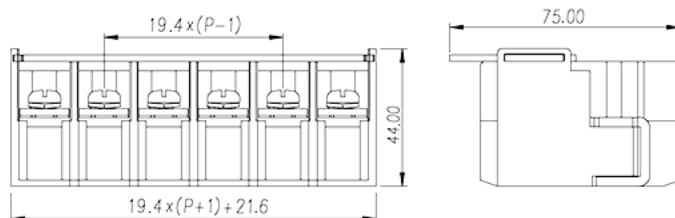
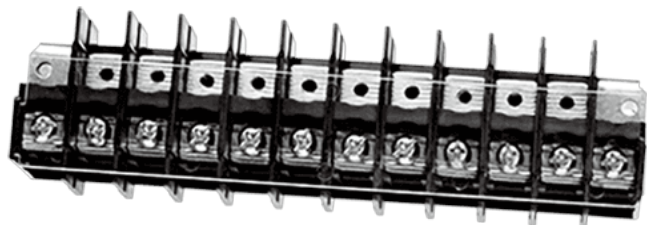


# 0139-01XX

Barrier Terminal Blocks > Panel Mounting

Date:2026-06-21Version:1.1



The web catalog is for reference only. Dinkle remains the right of product modification and engineering change of the design. The final product is made according to engineering drawing.

## Product Description

Pitch: 19.4mm , M6 , 1000V , 65/100/130A

## General information

Short description	Barrier terminal blocks , Screw connection
Category	Panel mounting terminal blocks
Pitch (mm)	19.40
Color	Black(default)
Connection method	Screw connection
Type of locking	Without
Level	Single level

## Material information

Insulation material	PBT
Insulation material group	IIIa
Flame retardant rating , compliant with UL94	V0
Conductor material	Copper Alloy
Plating of conductor surface	Tinned

## Connection data-IEC

Rated voltage (V)	1000
Rated current (A)	101
Rated voltage (II/2)(V)	1000
Rated voltage (III/2) (V)	1000
Rated voltage (III/3)(V)	1000
Rated impulse voltage (II/2)(KV)	12
Rated impulse voltage (III/2)(KV)	12
Rated impulse voltage (III/3)(KV)	12
Conductor cross section solid. min (mm <sup>2</sup> )	2.5
Conductor cross section solid.max (mm <sup>2</sup> )	25
Conductor cross section stranded. min (mm <sup>2</sup> )	2.5
Conductor cross section stranded. max (mm <sup>2</sup> )	25
2 conductors with same cross section, solid, max (mm <sup>2</sup> )	16
2 conductors with same cross section, stranded, max (mm <sup>2</sup> )	16
Screw thread	M6
Slotted screwdriver size (Blade thickness x Width)(mm)	1.0x5.5
Philips screwdriver size	PH3
Rated torque (N.m)	5
Recommend tightening torque. min (N.m)	2.5
Recommend tightening torque. max (N.m)	5
Stripping Length (mm)	17~18

## Connection data-UL

Rated voltage (UL/CUL Group C)(V)	1000
Rated current (UL/CUL Group C)(A)	65/100/130
Min. solid wire connection (AWG) acc. to UL/CUL	6/3/6x2
Max. solid wire connection AWG acc. to UL/CUL	12/12/12x2
Min. stranded wire connection AWG acc. to UL/CUL	6/3/6x2
Max. stranded wire connection AWG acc. to UL/CUL	12/12/12x2

## Environment & Safety

Back of the hand protection (YES or NO)	YES
Operating temperature. max (°C)	130
Operating temperature. min (°C)	-40

## UL Recognized

Wire Range (Group C)(AWG)	12x2~3
Rated voltage (Group C)(V)	1000
Rated current (Group C)(A)	65/100/130

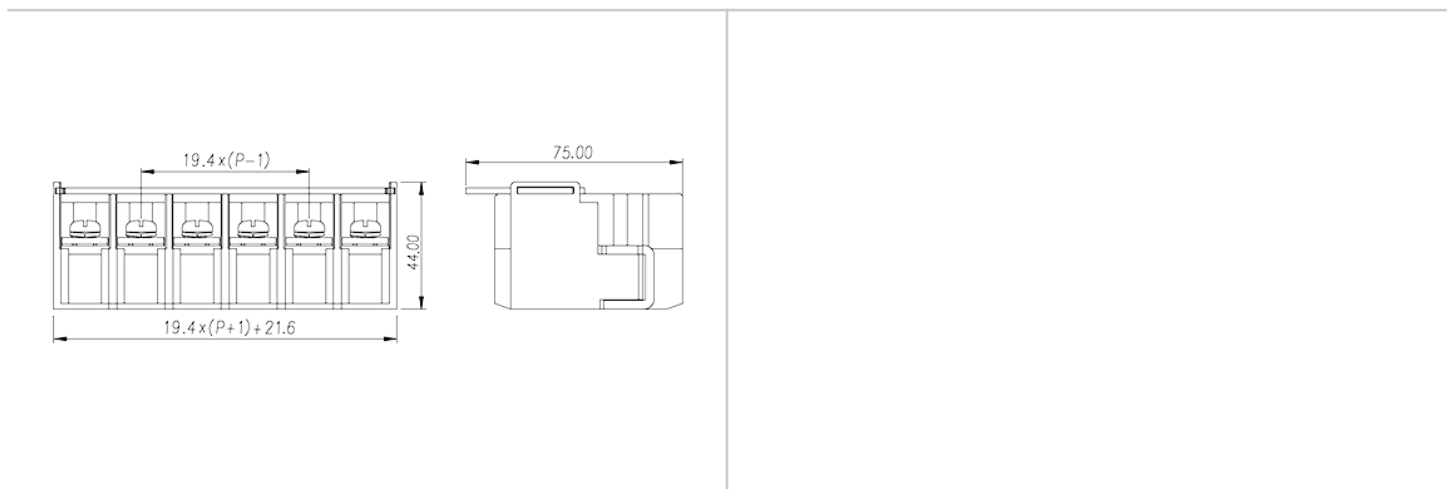
## CUL Recognized

Wire Range (Group C)(AWG)	12x2~3
Rated voltage (Group C)(V)	1000
Rated current (Group C)(A)	65/100/130

## VDE Approval

Wire Range (mm <sup>2</sup> )	2.5~25
Rated voltage (V)	1000
Rated current (A)	101

## Drawings



## Approvals

