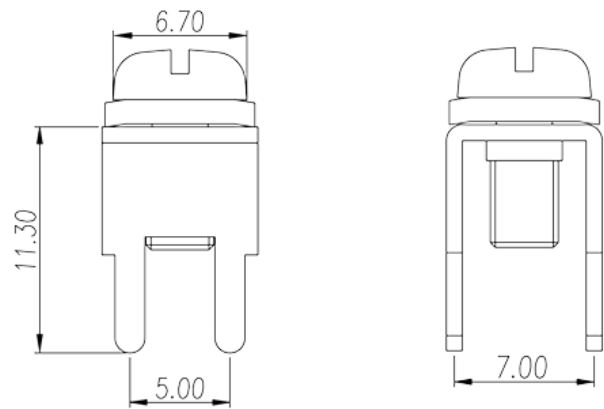


# P-820W

Barrier Terminal Blocks &gt; Wire Terminal

Date:2026-06-27Version:1.2



The web catalog is for reference only. Dinkle remains the right of product modification and engineering change of the design. The final product is made according to engineering drawing.

## Product Description

Pitch : 5.00 / 7.00 mm, 0.8x1.5mm, 50A

## General information

Short description	Barrier terminal blocks, Quick terminal blocks
Category	Quick terminal blocks
Pitch (mm)	5.00 / 7.00
Pin demensions (Thickness x Width)(mm)	0.8x1.5

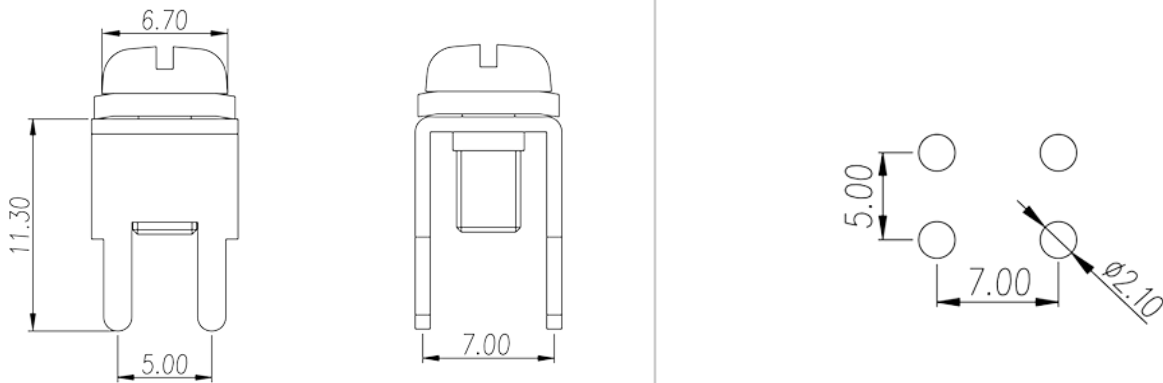
## Material information

Conductor material	COPPER ALLOY
Plating of conductor surface	Tin PLATED

## Connection data-IEC

Rated current (A)	50
Screw thread	#6-32
Slotted screwdriver size (Blade thickness x Width)(mm)	0.8x4.0
Philips screwdriver size	PH2
Recommend tightening torque. min (N.m)	0.8
Recommend tightening torque. max (N.m)	1

## Drawings



## Approvals

