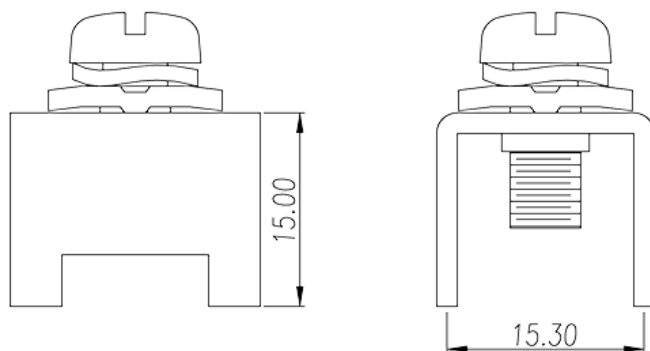


# P-840W

Barrier Terminal Blocks > Wire Terminal

Date:2026-05-04Version:1.2



The web catalog is for reference only. Dinkle remains the right of product modification and engineering change of the design. The final product is made according to engineering drawing.

## Product Description

Pitch : 15.30 / 15.40 mm, 1.6x4.0mm, 150A

## General information

Short description	Barrier terminal blocks, Quick terminal blocks
Category	Quick terminal blocks
Pitch (mm)	15.30 / 15.40
Pin demensions (Thickness x Width)(mm)	1.6x4.0

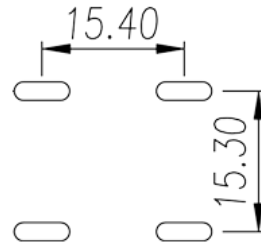
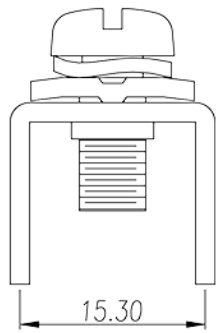
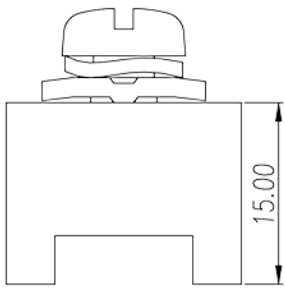
## Material information

Conductor material	COPPER ALLOY
Plating of conductor surface	Tin PLATED

## Connection data-IEC

Rated current (A)	150
Screw thread	M6
Slotted screwdriver size (Blade thickness x Width)(mm)	1.0x5.5
Philips screwdriver size	PH3
Recommend tightening torque. min (N.m)	2.5
Recommend tightening torque. max (N.m)	3

## Drawings



## Approvals

