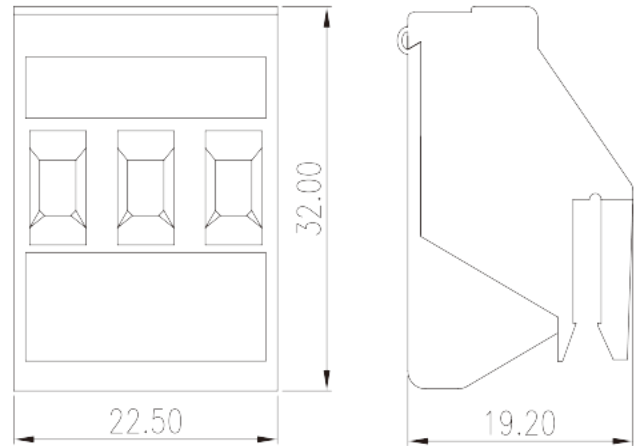


# TKE06

PCB Terminal Blocks &gt; Transformer Terminal Blocks

Date:2026-06-16Version:1.2



The web catalog is for reference only. Dinkle remains the right of product modification and engineering change of the design. The final product is made according to engineering drawing.

## Product Description

Pitch : 7.50 mm, M3, 600V, 25sol/30str

## General information

Short description	Transformer terminal blocks, Screw connection
Pitch (mm)	7.5
Color	Green (default)
Connection method	Screw connection
Type of locking	Rail mounting

## Material information

Insulation material	PA
Insulation material group	I
Flame retardant rating , compliant with UL94	V0
Conductor material	COPPER ALLOY
Plating of conductor surface	Tin PLATED

## Connection data-IEC

Rated voltage (V)	800
Rated current (A)	25/30

Rated voltage (III/3)(V)	800
Rated impulse voltage (II/2)(KV)	5
Rated impulse voltage (III/2)(KV)	5
Screw thread	M3
Slotted screwdriver size (Blade thickness x Width)(mm)	0.8x4.0
Philips screwdriver size	PH1
Rated torque (N.m)	0.5
Stripping Length (mm)	7~9

## Connection data-UL

Rated voltage (UL/CUL Group B)(V)	600
Rated current (UL/CUL Group B)(A)	25/30
Rated voltage (UL/CUL Group C)(V)	600
Rated current (UL/CUL Group C)(A)	25/30
Rated voltage (UL/CUL Group D)(V)	600
Rated current (UL/CUL Group D)(A)	5
Min. solid wire connection (AWG) acc. to UL/CUL	30
Max. solid wire connection AWG acc. to UL/CUL	10
Min. stranded wire connection AWG acc. to UL/CUL	30
Max. stranded wire connection AWG acc. to UL/CUL	10

## Environment & Safety

Back of the hand protection (YES or NO)	YES
Finger protection (YES or NO)	YES
Operating temperature. max (°C)	115
Operating temperature. min (°C)	-40

## UL Recognized

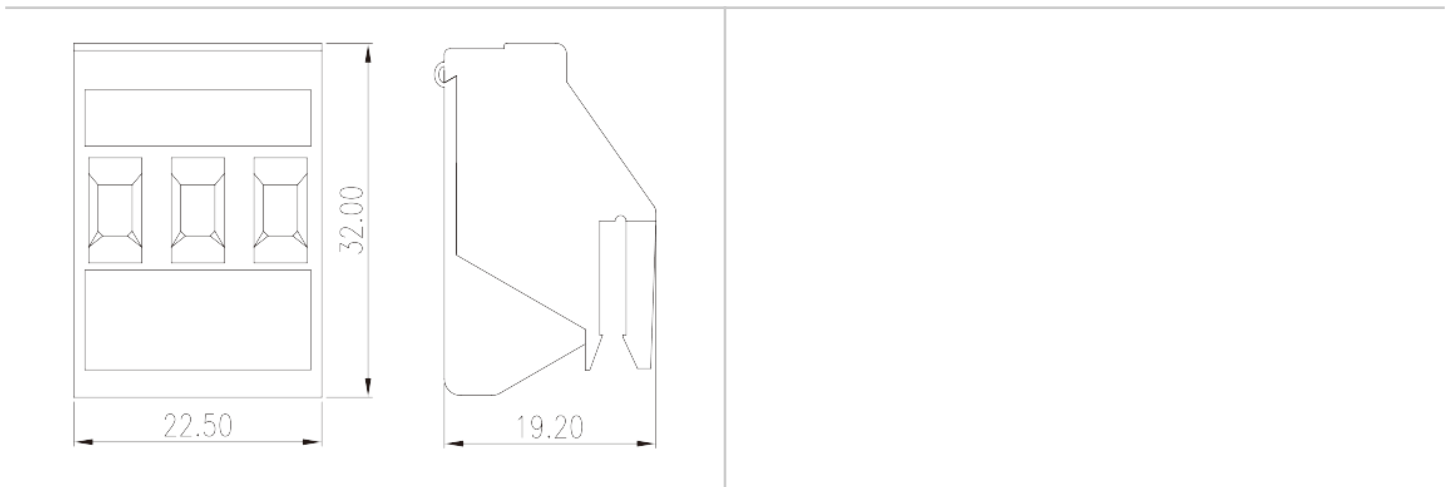
Wire Range (Group B)(AWG)	10~30
Rated voltage (Group B)(V)	600
Rated current (Group B)(A)	30
Wire Range (Group C)(AWG)	10~30
Rated voltage (Group C)(V)	600
Rated current (Group C)(A)	30
Wire Range (Group D)(AWG)	10~30

Rated voltage (Group D)(V)	600
Rated current (Group D)(A)	5

### CUL Recognized

Wire Range (Group B)(AWG)	10~30
Rated voltage (Group B)(V)	600
Rated current (Group B)(A)	30
Wire Range (Group C)(AWG)	10~30
Rated voltage (Group C)(V)	600
Rated current (Group C)(A)	30
Wire Ranget (Group D)(AWG)	10~30
Rated voltage (Group D)(V)	600
Rated current (Group D)(A)	5

### Drawings



### Approvals

