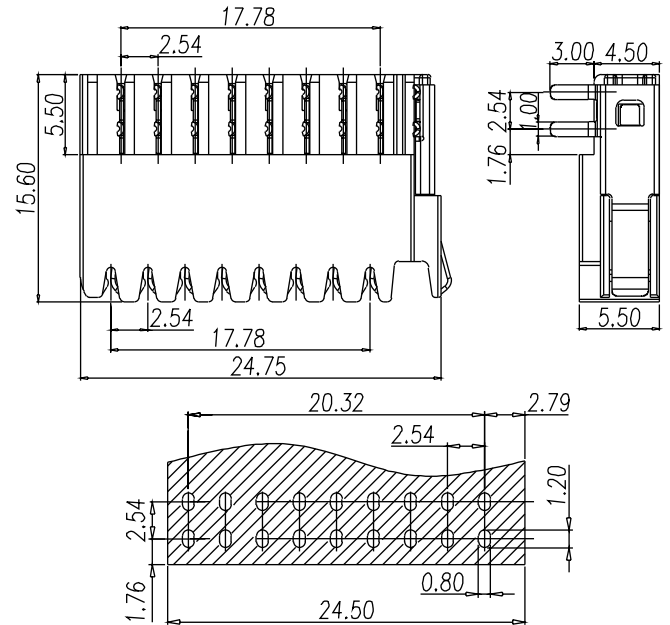
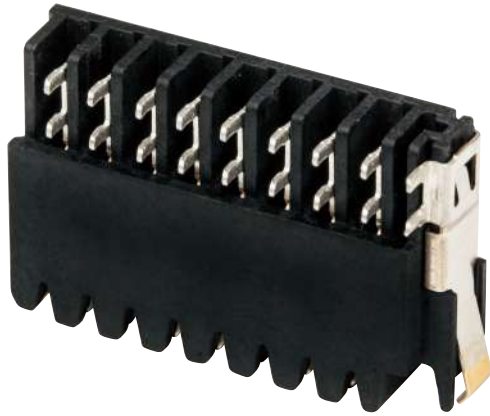


BS-110

Accessories for Enclosure



Specification

pin length(mm)	3.00
No of channel	8
pitch (mm)	2.54A
Rated voltage	150V
Rated current	Max.8A
Rated withstand voltage	1600V
Applied temperature	-40°C~+105°C