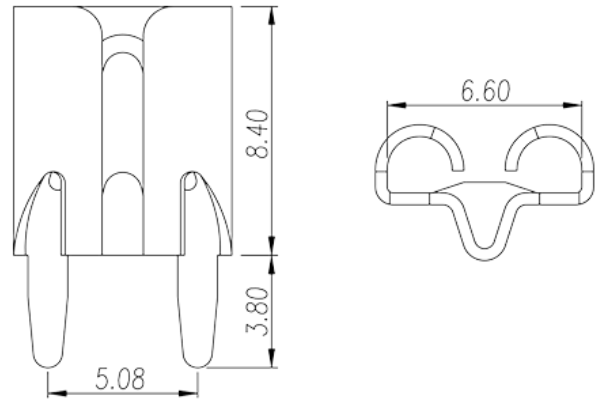
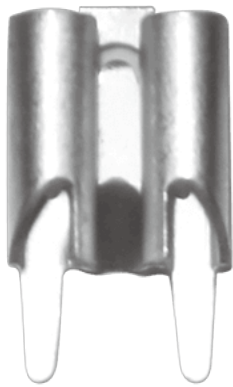


# P-610

Bornas de Conexión de Barrera &gt; Terminal de cable

Date:2026-05-30Version:1.2



The web catalog is for reference only. Dinkle remains the right of product modification and engineering change of the design. The final product is made according to engineering drawing.

## Descripción del producto

Pitch : 5.08mm, 0.4x1.35mm, 30A

## Informacion General

Descripción corta	Barrier terminal blocks, Quick terminal blocks
CategoryCategoría	Quick terminal blocks
Paso(mm)	5.08
Dimensiones del pin (Espesor x anchura)	0.4x1.35

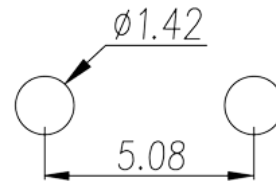
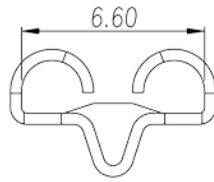
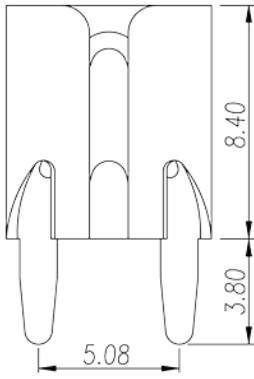
## Informacion materia prima

Conductor	COPPER ALLOY
Acabado	Tin PLATED

## Datos IEC

Máxima corriente (A)	30
----------------------	----

## Dibujo



## Aprobaciones

