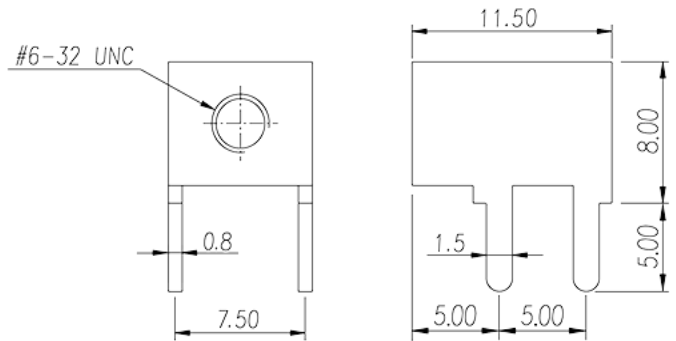
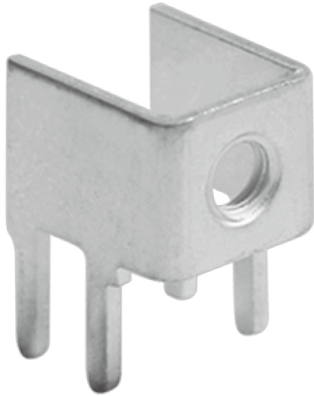


# P-810

Bornas de Conexión de Barrera &gt; Terminal de cable

Date:2026-06-16Version:1.2



The web catalog is for reference only. Dinkle remains the right of product modification and engineering change of the design. The final product is made according to engineering drawing.

## Descripción del producto

Pin size: 0.8x1.5mm, 80A

## Informacion General

Descripción corta	Barrier terminal blocks, Quick terminal blocks
CategoryCategoría	Quick terminal blocks
Dimensiones del pin (Espesor x anchura)	0.8x1.5

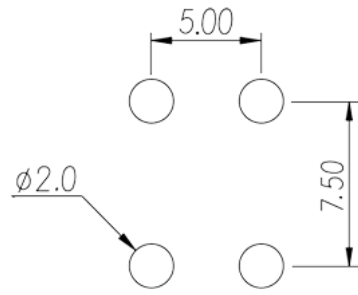
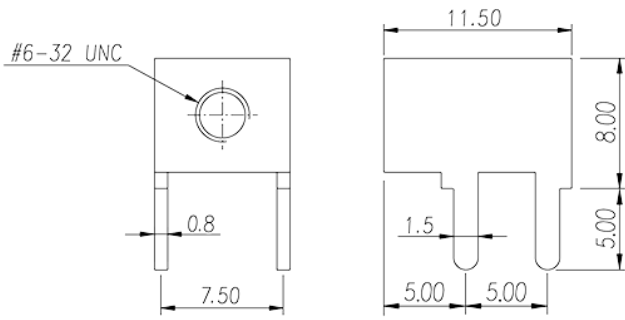
## Informacion materia prima

Conductor	COPPER ALLOY
Acabado	Tin PLATED

## Datos IEC

Máxima corriente (A)	80
Rosca de tornillo	#6-32

## Dibujo



## Aprobaciones

