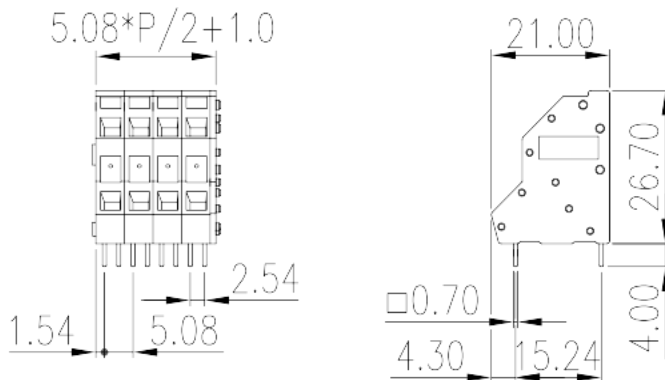
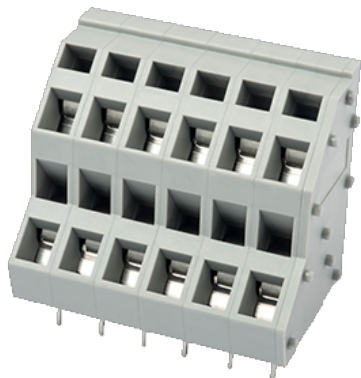


# WKK508-XXP

PCB > PCB

:2025-06-17 :V1



Pitch : 5.08mm, 300V, 10A

	PCB Terminal Blocks, Spring Clamp Connection
	PCB Terminal Blocks
(mm)	5.08
	Grey (default)
	Spring Clamp Connection
	Without
(mm)	$5.08 * (P/2 - 1) + 6.08$
(mm)	21
(mm)	26.7
(   x   ) (mm)	0.7x0.7
PCB (mm)	1.2
(   )	02P~66P
	Double level
	PA
	I
UL 94	V0



	500M at DC 500V
	COPPER ALLOY
	Tin PLATED

**-IEC**

(V)	450
(A)	24
(II/2)(V)	630
(III/2)(V)	450
(III/3)(V)	320
(II/2)(KV)	4
(III/2)(KV)	4
(III/3)(KV)	4
(mm <sup>2</sup> )	0.5
(mm <sup>2</sup> )	2.5
(mm <sup>2</sup> )	0.5
(mm <sup>2</sup> )	2.5
(mm <sup>2</sup> )	0.25
(mm <sup>2</sup> )	1.5
(mm <sup>2</sup> )	0.25
(mm <sup>2</sup> )	1.5
Width)(mm) (Blade thickness x	0.6x3.5
	6~7

**-UL**

(UL/CUL Group B)(V)	300
(UL/CUL Group B)(A)	15
(UL/CUL Group C)(V)	150
(UL/CUL Group C)(A)	10
(UL/CUL Group D)(V)	300
(UL/CUL Group D)(A)	10
UL/CUL AWG	28



UL/CUL	AWG	12
UL/CUL	AWG	28
UL/CUL	AWG	12

&

가	(YES or NO)	YES
		120
		-40

### UL

(Group B) (AWG)	28~12
(Group B) (V)	300
(Group B) (A)	15
(Group C) (AWG)	28~12
(Group C) (V)	150
(Group C) (A)	10
(Group D) (AWG)	28~12
(Group D) (V)	300
(Group D) (A)	10

### CUL

(Group B) (AWG)	28~12
(Group B) (V)	300
(Group B) (A)	15
(Group C) (AWG)	28~12
(Group C) (V)	150
(Group C) (A)	10
(Group D) (AWG)	28~12
(Group D) (V)	300
(Group D) (A)	10

--	--

