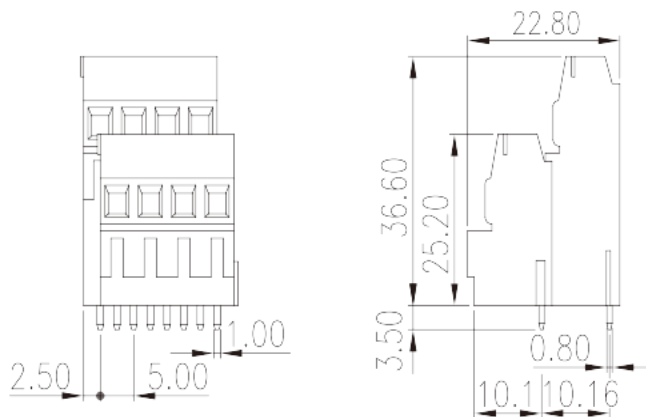


EK500V2R-XXP

PCB > PCB

:2026-07-05 :V1



Pitch : 5.00mm, 300V, 20A

	PCB Terminal Blocks, Screw Connection
	PCB Terminal Blocks
(mm)	5
	Green (default)
	Screw Connection
	Without
(x) (mm)	0.8x1.0
PCB (mm)	1.6
	Double level
	PA
	I
UL 94	V0
	500M at DC 500V
	COPPER ALLOY
	Tin PLATED

-IEC

(V)	250
(A)	24
(II/2)(V)	630
(III/2)(V)	320
(III/3)(V)	250
(II/2)(KV)	4
(III/2)(KV)	4
(III/3)(KV)	4
(mm ²)	0.14
(mm ²)	2.5
(mm ²)	0.14
(mm ²)	2.5
(mm ²)	0.25
(mm ²)	1.5
(mm ²)	0.25
(mm ²)	1.5
2 (mm ²)	1
2 (mm ²)	0.75
	M2.5
(N.m)	0.5
	6~7

-UL

(UL/CUL Group B)(V)	300
(UL/CUL Group B)(A)	20
(UL/CUL Group D)(V)	300
(UL/CUL Group D)(A)	20
UL/CUL AWG	24
UL/CUL AWG	12
UL/CUL AWG	24
UL/CUL AWG	12

&

가 (YES or NO)	YES
	120
	-40

UL

(Group B) (AWG)	24~12
(Group B) (V)	300
(Group B) (A)	20
(Group D) (AWG)	24~12
(Group D) (V)	300
(Group D) (A)	20

CUL

(Group B) (AWG)	24~12
(Group B) (V)	300
(Group B) (A)	20
(Group D) (AWG)	24~12
(Group D) (V)	300
(Group D) (A)	20

