

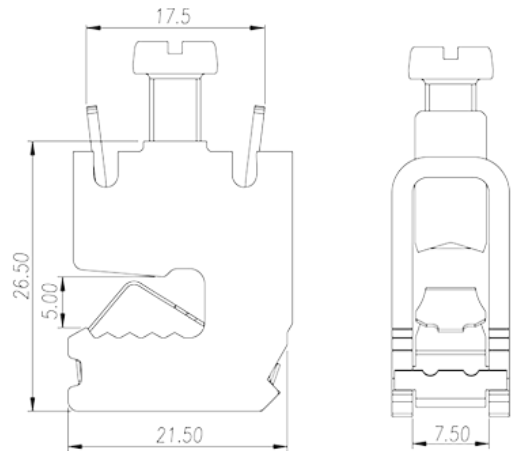
DKZ16

DIN

>

:2026-07-04

:1.1



M5, Steel

	DIN Rail terminal blocks, Busbar terminal blocks
	Screw connection
	Busbar mounting
	1

-IEC

(mm ²)	1.5
(mm ²)	16
(mm ²)	1.5
(mm ²)	16
	M5
Width) (mm) (Blade thickness x	1.0x5.5
Philips	PH2
(N.m)	2
(N.m)	4
	NO
	NO

-UL

UL/CUL	AWG	14
UL/CUL	AWG	4
UL/CUL	AWG	14
UL/CUL	AWG	4

&

(YES or NO)	NO
가 (YES or NO)	NO

UL

(Group B) (AWG)	14~4
-----------------	------

CUL

(Group B) (AWG)	14~4
-----------------	------

