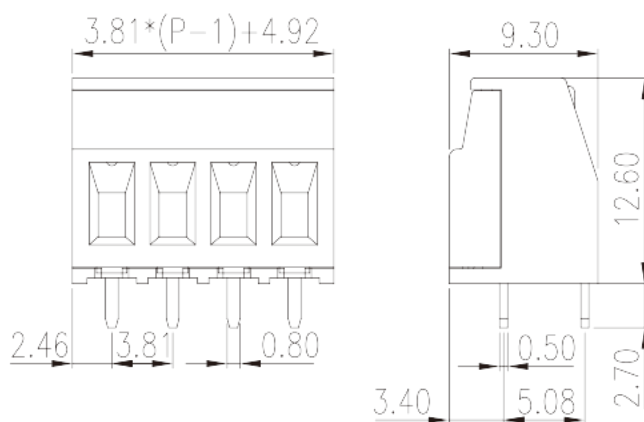
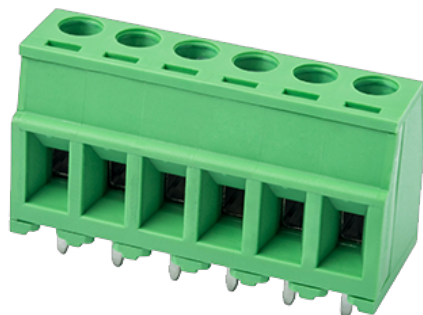


EHK381V-XXP

PCB > PCB

:2026-07-05 :V1



Pitch : 3.81mm, 300V, 10A

| | |
|------------|---------------------------------------|
| | PCB Terminal Blocks, Screw Connection |
| | PCB Terminal Blocks |
| (mm) | 3.81 |
| | Green (default) |
| | Screw Connection |
| | Without |
| (mm) | $3.81 \times (P-1) + 4.92$ |
| (mm) | 9.300000000000001 |
| (mm) | 12.6 |
| (x) (mm) | 0.5x0.8 |
| PCB (mm) | 1.1 |
| () | 02P~16P |
| | Single level |
| | PA |
| | I |
| UL 94 | V0 |



| | |
|--|-----------------|
| | 500M at DC 500V |
| | COPPER ALLOY |
| | Tin PLATED |

-IEC

| | |
|-------------------------------|---------|
| (V) | 320 |
| (A) | 10 |
| (II/2)(V) | 320 |
| (III/2)(V) | 160 |
| (III/3)(V) | 160 |
| (II/2)(KV) | 4 |
| (III/2)(KV) | 4 |
| (III/3)(KV) | 4 |
| (mm ²) | 0.5 |
| (mm ²) | 1.5 |
| (mm ²) | 0.5 |
| (mm ²) | 1.5 |
| (mm ²) | 0.5 |
| (mm ²) | 0.75 |
| (mm ²) | 0.5 |
| (mm ²) | 0.75 |
| 2 (mm ²) | 0.75 |
| 2 (mm ²) | 0.75 |
| | M2 |
| Width)(mm) (Blade thickness x | 0.4x2.5 |
| (N.m) | 0.2 |
| | 6~7 |

-UL

| | |
|---------------------|-----|
| (UL/CUL Group B)(V) | 300 |
| (UL/CUL Group B)(A) | 10 |
| UL/CUL AWG | 26 |

| | | |
|--------|-----|----|
| UL/CUL | AWG | 16 |
| UL/CUL | AWG | 26 |
| UL/CUL | AWG | 16 |

&

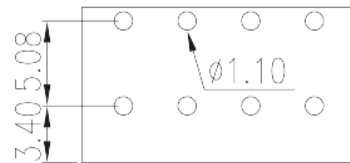
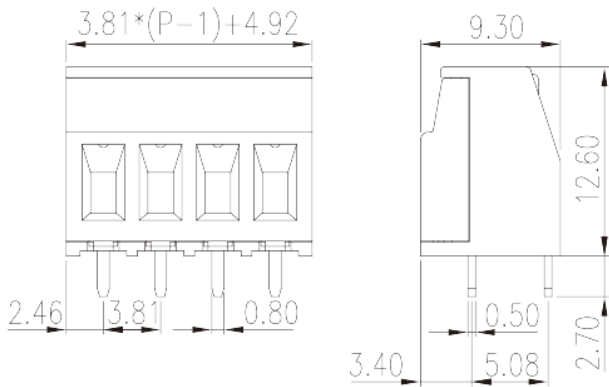
| | | |
|---|-------------|-----|
| 가 | (YES or NO) | YES |
| | | 120 |
| | | -40 |

UL

| | |
|-----------------|-------|
| (Group B) (AWG) | 26~16 |
| (Group B) (V) | 300 |
| (Group B) (A) | 10 |

CUL

| | |
|-----------------|-------|
| (Group B) (AWG) | 26~16 |
| (Group B) (V) | 300 |
| (Group B) (A) | 10 |





Delight Through Connections