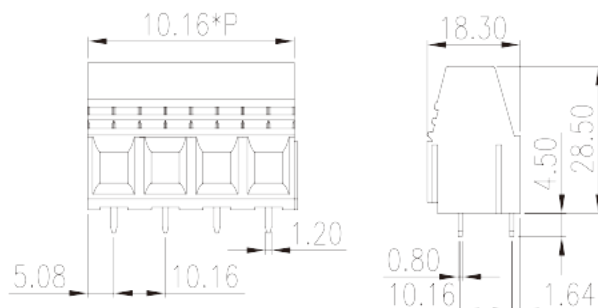


# ESKW116V-XXP

PCB > PCB

:2026-07-05 :1.1



Pitch : 10.16mm, 300V, 65A

		PCB Terminal Blocks, Screw Connection
		PCB Terminal Blocks
(mm)		10.16
		Green (default)
		Screw Connection
		Without
(mm)		$10.16 * (P-1) + 10.16$
(mm)		18.3
(mm)		28.5
(    x    ) (mm)		0.8x1.2
PCB	(mm)	1.6
(    )		02P~10P
		Single level
		PA
		I
UL 94		V0



	500M at DC 500V
	COPPER ALLOY
	Tin PLATED

**-IEC**

(V)	1000
(A)	76
(II/2)(V)	1000
(III/2)(V)	630
(III/3)(V)	400
(II/2)(KV)	6
(III/2)(KV)	6
(III/3)(KV)	6
(mm <sup>2</sup> )	0.5
(mm <sup>2</sup> )	16
(mm <sup>2</sup> )	0.5
(mm <sup>2</sup> )	16
(mm <sup>2</sup> ) , ,	0.25
(mm <sup>2</sup> ) , ,	10
(mm <sup>2</sup> ) , ,	0.25
(mm <sup>2</sup> ) , ,	10
2 (mm <sup>2</sup> )	0.34
2 (mm <sup>2</sup> )	4
2 (mm <sup>2</sup> )	0.34
2 (mm <sup>2</sup> )	4
	M4
Width)(mm) (Blade thickness x	0.8x4.0
(N.m)	2
	13~14

**-UL**

(UL/CUL Group B)(V)	300
---------------------	-----



(UL/CUL Group B)(A)		65
(UL/CUL Group C)(V)		300
(UL/CUL Group C)(A)		65
(UL/CUL Group D)(V)		600
(UL/CUL Group D)(A)		5
UL/CUL	AWG	22
UL/CUL	AWG	6
UL/CUL	AWG	22
UL/CUL	AWG	6

&amp;

가	(YES or NO)	YES
		120
		-40

**UL**

(Group B)(AWG)		22~6
(Group B)(V)		300
(Group B)(A)		65
(Group C)(AWG)		22~6
(Group C)(V)		150
(Group C)(A)		65
(Group D)(AWG)		22~6
(Group D)(V)		300
(Group D)(A)		10

**CUL**

(Group B)(AWG)		22~6
(Group B)(V)		300
(Group B)(A)		65
(Group C)(AWG)		22~6
(Group C)(V)		150
(Group C)(A)		65
(Group D)(AWG)		22~6
(Group D)(V)		300

(Group D)(A)

10

VDE

(mm <sup>2</sup> )	0.5~16
(V)	630
(A)	76

