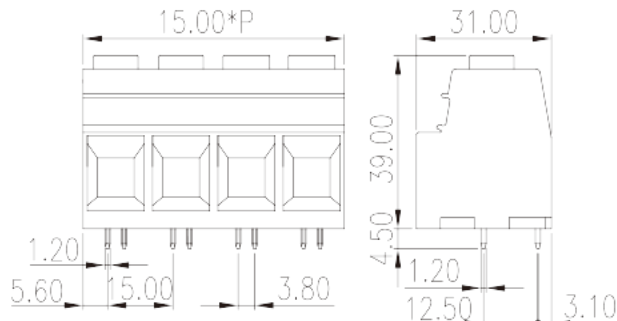


# ESK150V-XXP

PCB > PCB

:2026-07-05 :1.1



Pitch : 15.00mm, 600V, 115A(FW2)/125A(FW1)

	PCB Terminal Blocks, Screw Connection
	PCB Terminal Blocks
(mm)	15.00
	Green (default)
	Screw Connection
	Without
	Wave Soldering
(mm)	15.00*(P-1) + 15.00
(mm)	31
(mm)	39
(    x    ) (mm)	1.2x1.2
PCB        (mm)	1.7
(    )	01P~09P
	Single level
	PA
	I



UL 94	V0
	500M at DC 500V
	COPPER ALLOY
	Tin PLATED

**-IEC**

(V)	1000
(A)	125
(II/2)(V)	1000
(III/2)(V)	1000
(III/3)(V)	1000
(II/2)(KV)	8
(III/2)(KV)	8
(III/3)(KV)	8
(mm <sup>2</sup> )	0.5
(mm <sup>2</sup> )	35
(mm <sup>2</sup> )	0.5
(mm <sup>2</sup> )	35
(mm <sup>2</sup> ) , ,	0.25
(mm <sup>2</sup> ) , ,	35
(mm <sup>2</sup> ) , ,	0.25
(mm <sup>2</sup> ) , ,	35
2 (mm <sup>2</sup> )	0.5
2 (mm <sup>2</sup> )	6
2 (mm <sup>2</sup> )	0.5
2 (mm <sup>2</sup> )	6
(mm <sup>2</sup> ) 2 , ,	0.5
(mm <sup>2</sup> ) 2 , ,	4
2 (mm <sup>2</sup> ) , ,	0.5
2 (mm <sup>2</sup> ) , ,	6



		M5
Width)(mm)	(Blade thickness x	1.0x5.5
Philips		PZ2
	(N.m)	3.7
	(N.m)	4.5
		18~19

**-UL**

	(UL/CUL Group B)(V)	600
	(UL/CUL Group B)(A)	115(FW2)/125(FW1)
	(UL/CUL Group C)(V)	600
	(UL/CUL Group C)(A)	115(FW2)/125(FW1)
	(UL/CUL Group D)(V)	600
	(UL/CUL Group D)(A)	5
UL/CUL	AWG	20
UL/CUL	AWG	2
UL/CUL	AWG	20
UL/CUL	AWG	2

**&**

가	(YES or NO)	YES
		120
		-40

**UL**

	(Group B)(AWG)	20~2
	(Group B)(V)	600
	(Group B)(A)	115(FW2)/125(FW1)
	(Group C)(AWG)	20~2
	(Group C)(V)	600
	(Group C)(A)	115(FW2)/125(FW1)
	(Group D)(AWG)	20~2
	(Group D)(V)	600
	(Group D)(A)	5

## CUL

(Group B) (AWG)	20~2
(Group B) (V)	600
(Group B) (A)	115(FW2)/125(FW1)
(Group C) (AWG)	20~2
(Group C) (V)	600
(Group C) (A)	115(FW2)/125(FW1)
(Group D) (AWG)	20~2
(Group D) (V)	600
(Group D) (A)	5

## VDE

(mm <sup>2</sup> )	0.5~35
(V)	1000
(A)	125

