

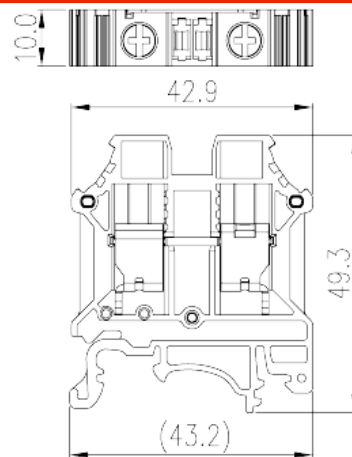
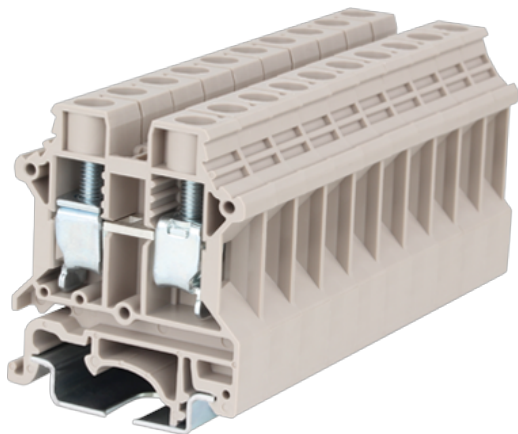
DK10N

DIN

>

:2026-07-04

:1.2



M4, 600V, 60A, Beige (default)

| | |
|-------|--|
| | Single level, Feed through terminal blocks, Screw Connection |
| | Single level, Feed through terminal blocks |
| | Beige (default) |
| | Screw connection |
| | Rail mounting |
| (mm) | 43.2 |
| (mm) | 10 |
| (mm) | 49.3 |
| () | 1P |
| | Single level |
| | 2 |
| | PA |
| | I |
| UL 94 | V0 |
| | 500M at DC 500V |

-IEC

| | | |
|----------------------|--------------------|----------------|
| (V) | | 1000 |
| (A) | | 57 |
| (III/3)(V) | | 1000 |
| (III/3)(KV) | | 8 |
| (mm ²) | | 0.5 |
| (mm ²) | | 16 |
| (mm ²) | | 0.5 |
| (mm ²) | | 10 |
| (mm ²) | , | 0.5 |
| (mm ²) | , | 10 |
| (mm ²) | , | 0.5 |
| (mm ²) | , | 10 |
| 2 | (mm ²) | 0.5 |
| 2 | (mm ²) | 10 |
| 2 | (mm ²) | 0.5 |
| 2 | (mm ²) | 6 |
| (mm ²) 2 | , | 0.5 |
| (mm ²) 2 | , | 6 |
| 2 | , | 0.5 |
| 2 | , | 6 |
| | | M4 |
| Width)(mm) | (Blade thickness x | 1.0x5.5 |
| Philips | | PH2 |
| (N.m) | | 1.3 |
| | | 12~14 |
| | | TS-35、TS-35/15 |
| | | YES |
| | | NO |

-UL

| | | |
|---------------------|-----|-----|
| (UL/CUL Group B)(V) | | 600 |
| (UL/CUL Group B)(A) | | 60 |
| (UL/CUL Group C)(V) | | 600 |
| (UL/CUL Group C)(A) | | 60 |
| UL/CUL | AWG | 20 |
| UL/CUL | AWG | 6 |
| UL/CUL | AWG | 20 |
| UL/CUL | AWG | 6 |

&

| | | |
|---------------|--|-----|
| (YES or NO) | | YES |
| 가 (YES or NO) | | YES |
| | | 120 |
| | | -40 |

UL

| | | |
|----------------|--|------|
| (Group B)(AWG) | | 20~6 |
| (Group B)(V) | | 600 |
| (Group B)(A) | | 60 |
| (Group C)(AWG) | | 20~6 |
| (Group C)(V) | | 600 |
| (Group C)(A) | | 60 |

CUL

| | | |
|----------------|--|------|
| (Group B)(AWG) | | 20~6 |
| (Group B)(V) | | 600 |
| (Group B)(A) | | 60 |
| (Group C)(AWG) | | 20~6 |
| (Group C)(V) | | 600 |
| (Group C)(A) | | 60 |

VDE

| | | |
|--------------------|--|--------|
| (mm ²) | | 0.5~10 |
|--------------------|--|--------|

| | |
|--------------------|--------|
| (V) | 1000 |
| (A) | 57 |
| (mm ²) | 0.5~10 |
| (V) | 1000 |
| (A) | 57 |

