

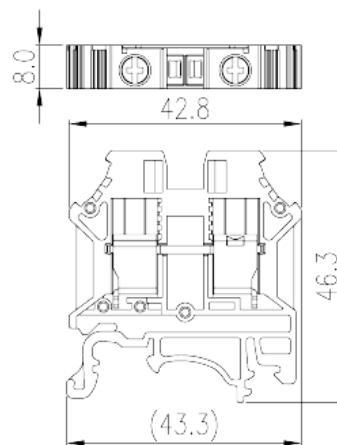
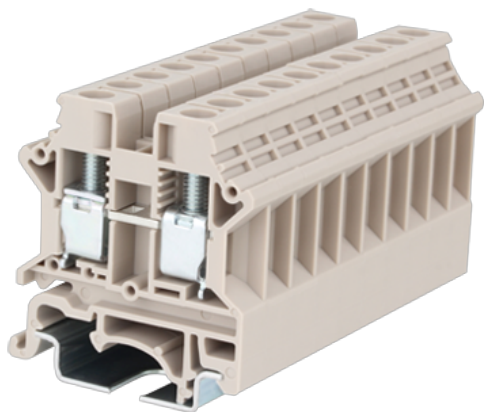
DK6N

DIN

>

:2026-07-04

:1.2



M4, 600V, 50A, Beige (default)

	Single Level Feed-through Terminal Block, Screw Connection
	Single Level Feed-through Terminal Block,
	Beige (default)
	Screw connection
	Rail mounting
(mm)	43.3
(mm)	8
(mm)	46.3
()	1P
	Single level
	2
	PA
	I
UL 94	V0
	500M at DC 500V

-IEC

(V)		1000
(A)		41
(III/3)(V)		1000
(III/3)(KV)		8
(mm ²)		0.5
(mm ²)		10
(mm ²)		0.5
(mm ²)		6
(mm ²)	,	0.5
(mm ²)	,	6
(mm ²)	,	0.5
(mm ²)	,	6
2	(mm ²)	0.5
2	(mm ²)	6
2	(mm ²)	0.5
2	(mm ²)	4
(mm ²)	2 ,	0.5
(mm ²)	2 ,	4
(mm ²)	2 ,	0.5
(mm ²)	2 ,	4
		M4
Width)(mm)	(Blade thickness x	0.8x4.0
Philips		PH2
(N.m)		1.2
		12~14
		TS-35、TS-35/15
		YES
		NO

-UL

(UL/CUL Group B)(V)		600
(UL/CUL Group B)(A)		50
(UL/CUL Group C)(V)		600
(UL/CUL Group C)(A)		50
UL/CUL	AWG	20
UL/CUL	AWG	8
UL/CUL	AWG	20
UL/CUL	AWG	8

&

(YES or NO)		YES
가 (YES or NO)		YES
		120
		-40

UL

(Group B)(AWG)		20~8
(Group B)(V)		600
(Group B)(A)		50
(Group C)(AWG)		20~8
(Group C)(V)		600
(Group C)(A)		50

CUL

(Group B)(AWG)		20~8
(Group B)(V)		600
(Group B)(A)		50
(Group C)(AWG)		20~8
(Group C)(V)		600
(Group C)(A)		50

VDE

(mm ²)		0.5~6
--------------------	--	-------

(V)	1000
(A)	41
(mm ²)	0.5~6.0
(V)	630
(A)	41

