

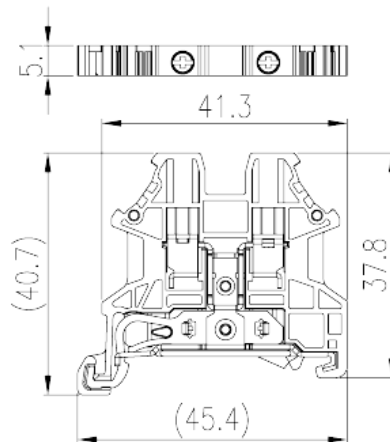
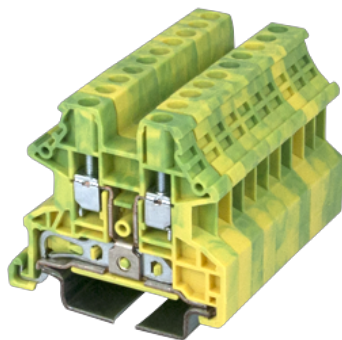
# DK2.5N-PE

DIN

>

:2026-07-04

:1.2



M2.5, 600V, Yellow-Green (default)

	Grounding Terminal Block,Screw Connection
	Grounding terminal blocks
	Yellow-Green (default)
	Screw connection
	Rail mounting
(mm)	45.4
(mm)	5.1
(mm)	40.7
	Single level
	2
	PA
	I
UL 94	V0
	500M at DC 500V

-IEC



(V)		1000
(III/3)(V)		1000
(III/3)(KV)		8
(mm <sup>2</sup> )		0.14
(mm <sup>2</sup> )		4
(mm <sup>2</sup> )		0.14
(mm <sup>2</sup> )		2.5
(mm <sup>2</sup> )	,	0.25
(mm <sup>2</sup> )	,	2.5
(mm <sup>2</sup> )	,	0.25
(mm <sup>2</sup> )	,	1.5
2	(mm <sup>2</sup> )	0.14
2	(mm <sup>2</sup> )	2.5
2	(mm <sup>2</sup> )	0.14
2	(mm <sup>2</sup> )	1.5
(mm <sup>2</sup> ) <sup>2</sup>	,	0.25
(mm <sup>2</sup> ) <sup>2</sup>	,	1.5
(mm <sup>2</sup> ) <sup>2</sup>	,	0.5
(mm <sup>2</sup> ) <sup>2</sup>	,	1.5
		M2.5
Width)(mm)	(Blade thickness x	0.6x3.5
Philips		PH1
(N.m)		0.4
(N.m)		0.5
		9~11
		TS-35、TS-35/15
		YES
		YES

-UL



(UL/CUL Group B)(V)		600
(UL/CUL Group C)(V)		600
UL/CUL	AWG	28
UL/CUL	AWG	12
UL/CUL	AWG	28
UL/CUL	AWG	12

&

(YES or NO)		YES
가 (YES or NO)		YES
		120
		-40

### UL

(Group B)(AWG)		28~12
(Group B)(V)		600
(Group C)(AWG)		28~12
(Group C)(V)		600

### CUL

(Group B)(AWG)		28~12
(Group B)(V)		600
(Group C)(AWG)		28~12
(Group C)(V)		600

### VDE

(mm <sup>2</sup> )		0.14~2.5
(V)		1000

--	--	--

