

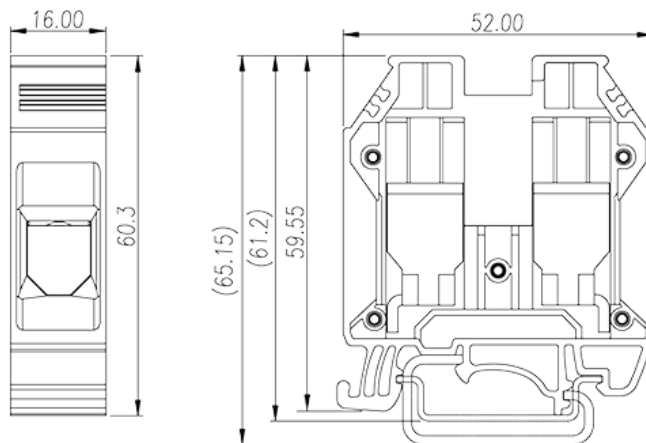
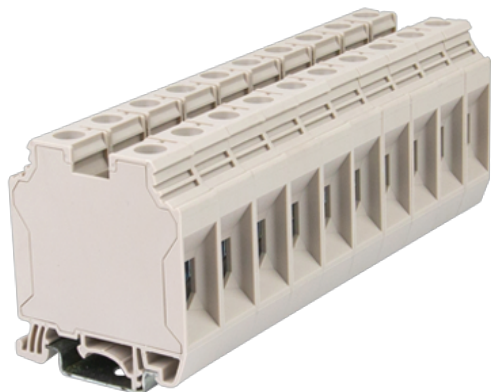
DK35H

DIN

>

:2026-07-04

:1.2



M6, 600V, 150A, Beige (default)

	DIN rail terminal blocks, Feed through terminal blocks
	Feed through terminal blocks
	Beige (default)
	Screw connection
	Rail mounting
(mm)	53
(mm)	16
(mm)	60.3
()	1P
	Single level
	2
	PA
	I
UL 94	V0
	500M at DC 500V

-IEC

(V)		1000
(A)		150
(III/3)(V)		1000
(II/2)(KV)		8
(III/2)(KV)		8
(III/3)(KV)		8
(mm ²)		2.5
(mm ²)		50
(mm ²)		2.5
(mm ²)		50
(mm ²)	,	2.5
(mm ²)	,	35
(mm ²)	,	2.5
(mm ²)	,	35
2	(mm ²)	2.5
2	(mm ²)	16
2	(mm ²)	2.5
2	(mm ²)	10
(mm ²)	2 ,	2.5
(mm ²)	2 ,	10
(mm ²)	2 ,	2.5
(mm ²)	2 ,	10
		M6
Width)(mm)	(Blade thickness x	1.0x5.5
(N.m)		3.5~6.9
(N.m)		3.5
(N.m)		6.9
		16~18
		TS-35



	NO
	NO

-UL

(UL/CUL Group B)(V)	600
(UL/CUL Group B)(A)	150
(UL/CUL Group C)(V)	600
(UL/CUL Group C)(A)	150
UL/CUL AWG	12
UL/CUL AWG	1/0
UL/CUL AWG	12
UL/CUL AWG	1/0

&

(YES or NO)	YES
가 (YES or NO)	YES
	120
	-40

UL

(Group B)(AWG)	12~1/0
(Group B)(V)	600
(Group B)(A)	150
(Group C)(AWG)	12~1/0
(Group C)(V)	600
(Group C)(A)	150

CUL

(Group B)(AWG)	12~1/0
(Group B)(V)	600
(Group B)(A)	150
(Group C)(AWG)	12~1/0
(Group C)(V)	600
(Group C)(A)	150

VDE

(mm ²)	2.5~50
(V)	1000
(A)	150

