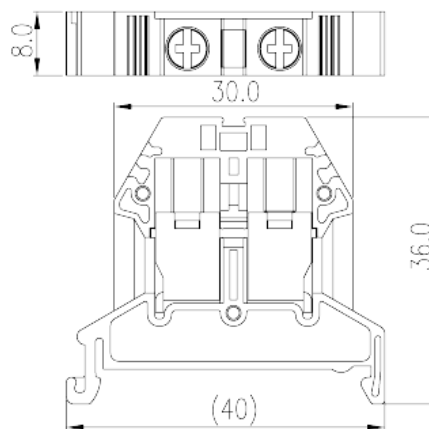


DK6P

DIN

>

:2026-07-04



M4, 300V, 500A, Beige (default)

	Single Level Feed-through Terminal Block
	Single Level Feed-through Terminal Block
	Beige (default)
	Screw Connection
	Rail mounting
(mm)	40
(mm)	8
(mm)	36
()	1P
	Single level
	2
	PA
	I
UL 94	V0
	500M at DC 500V
	Tin PLATED

-IEC

(V)	500
(A)	41
(III/3)(V)	500
(II/2)(KV)	6
(III/2)(KV)	6
(III/3)(KV)	6
(mm ²)	0.5
(mm ²)	10
(mm ²)	0.5
(mm ²)	6
(mm ²) , ,	0.5
(mm ²) , ,	6
(mm ²) , ,	0.5
(mm ²) , ,	6
2 (mm ²)	0.5
2 (mm ²)	6
2 (mm ²)	0.5
2 (mm ²)	4
(mm ²) 2 , ,	0.5
(mm ²) 2 , ,	4
2 (mm ²) , ,	0.5
2 (mm ²) , ,	4
	M4
Width)(mm) (Blade thickness x	0.8x4
Philips	PH2
(N.m)	1.2
	12~14
	TS-35N/TS-35/15N
	YES



	NO
--	----

-UL

(UL/CUL Group B)(V)	300
(UL/CUL Group B)(A)	50
(UL/CUL Group C)(V)	300
(UL/CUL Group C)(A)	50
UL/CUL AWG	20
UL/CUL AWG	8
UL/CUL AWG	20
UL/CUL AWG	8

&

(YES or NO)	YES
가 (YES or NO)	YES
	120
	-40

UL

(Group B)(AWG)	20~8
(Group B)(V)	300
(Group B)(A)	50
(Group C)(AWG)	20~8
(Group C)(V)	300
(Group C)(A)	50

CUL

(Group B)(AWG)	20~8
(Group B)(V)	300
(Group B)(A)	50
(Group C)(AWG)	20~8
(Group C)(V)	300
(Group C)(A)	50

VDE

--	--

(mm ²)	0.5~6
(V)	500
(A)	41

(mm ²)	0.5~6
(V)	500
(A)	41

