

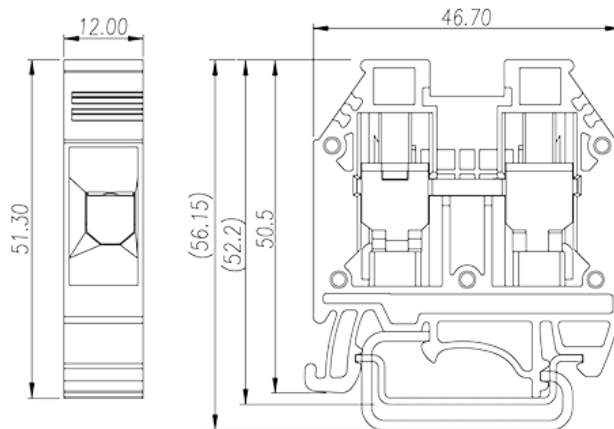
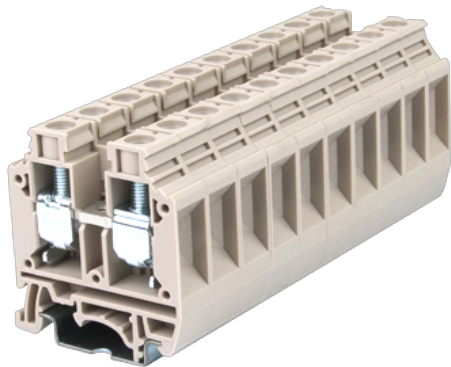
# DK16H

DIN

>

:2026-07-04

:1.2



M5, 600V, 100A, Beige (default)

	DIN rail terminal blocks, Feed through terminal blocks
	Feed through terminal blocks
	Beige (default)
	Screw connection
	Rail mounting
(mm)	48
(mm)	12
(mm)	51.3
( )	1P
	Single level
	2
	PA
	I
UL 94	V0
	500M at DC 500V

## -IEC

(V)		1000
(A)		101
(III/3)(V)		1000
(II/2)(KV)		8
(III/2)(KV)		8
(III/3)(KV)		8
(mm <sup>2</sup> )		1.5
(mm <sup>2</sup> )		25
(mm <sup>2</sup> )		1.5
(mm <sup>2</sup> )		25
(mm <sup>2</sup> )	,	1.5
(mm <sup>2</sup> )	,	16
(mm <sup>2</sup> )	,	1.5
(mm <sup>2</sup> )	,	16
2	(mm <sup>2</sup> )	1.5
2	(mm <sup>2</sup> )	6
2	(mm <sup>2</sup> )	1.5
2	(mm <sup>2</sup> )	6
(mm <sup>2</sup> ) 2	,	1.5
(mm <sup>2</sup> ) 2	,	6
2	(mm <sup>2</sup> )	1.5
2	(mm <sup>2</sup> )	10
		M5
Width)(mm)	(Blade thickness x	1.0x5.5
Philips		PH2
(N.m)		2.5~3.4
(N.m)		2.5
(N.m)		3.4
		13~15

	TS-35
	YES
	NO

### -UL

(UL/CUL Group B)(V)		600
(UL/CUL Group B)(A)		100
(UL/CUL Group C)(V)		600
(UL/CUL Group C)(A)		100
UL/CUL	AWG	14
UL/CUL	AWG	3
UL/CUL	AWG	14
UL/CUL	AWG	3

### &

(YES or NO)		YES
가 (YES or NO)		YES
		120
		-40

### UL

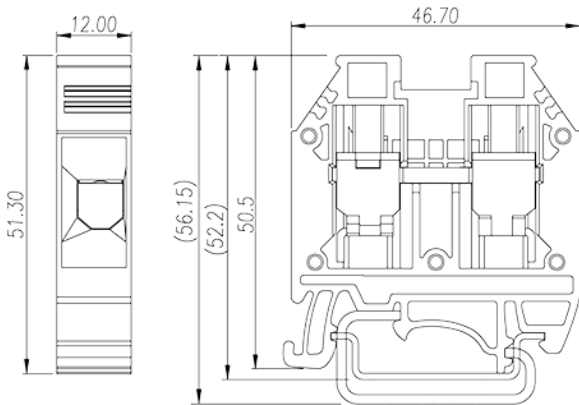
(Group B)(AWG)		14~3
(Group B)(V)		600
(Group B)(A)		100
(Group C)(AWG)		14~3
(Group C)(V)		600
(Group C)(A)		100

### CUL

(Group B)(AWG)		14~3
(Group B)(V)		600
(Group B)(A)		100
(Group C)(AWG)		14~3
(Group C)(V)		600
(Group C)(A)		100

## VDE

(mm <sup>2</sup> )	1.5~25
(V)	1000
(A)	101



- Without jumper 600V/100A at torque value 2.5~3.4Nm
- With Jumper DS16:  
600V/95A at torque value 2.5Nm; 600V/100A at torque value 3.4Nm
- With jumper CSC-16:  
600V/90A at torque value 2.5Nm; 600V/100A at torque value 3.4Nm



circuit diagram

