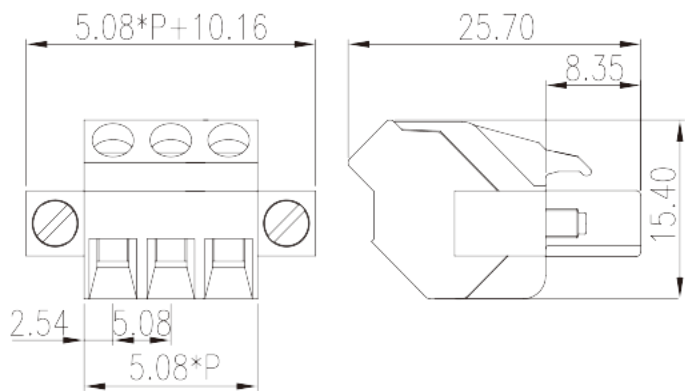
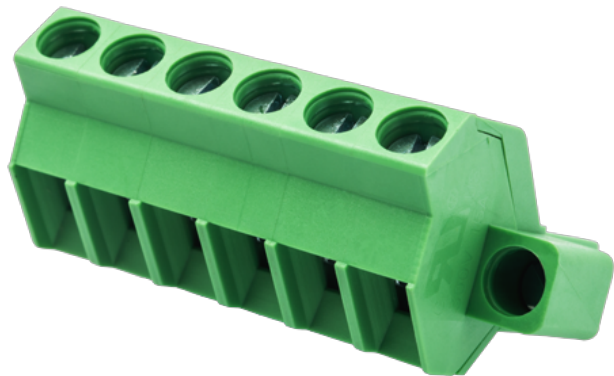


2ESDAM-XXP

PCB > PCB -

:2026-07-04 :1.1



Pitch : 5.08 mm, 300V, 15A

	PCB Connector Plug, Screw Connection
	PCB Connector Plug
(mm)	5.08
	Green (default)
	Screw Connection
	With screw flange
(mm)	$5.08 * P + 10.16$
(mm)	25.7
(mm)	15.4
()	02P~24P
	Single level
	PA
	I
UL 94	V0
	500M at DC 500V
	COPPER ALLOY



Tin PLATED

-IEC

(V)	600
(A)	18
(II/2)(V)	600
(III/2)(V)	320
(III/3)(V)	250
(II/2)(KV)	4
(III/2)(KV)	4
(III/3)(KV)	4
(mm ²)	0.2
(mm ²)	4
(mm ²)	0.2
(mm ²)	2.5
(mm ²) , ,	0.25
(mm ²) , ,	2.5
(mm ²) , ,	0.25
(mm ²) , ,	2.5
2 (mm ²)	1.5
2 (mm ²)	1.5
(mm ²) ² , ,	0.25
(mm ²) ² , ,	0.75
(mm ²) ² , ,	0.5
(mm ²) ² , ,	1.5
	M2.5
Width)(mm) (Blade thickness x	0.6x3.5
Philips	PH1
(N.m)	0.5
	7~8

-UL

(UL/CUL Group B)(V)		300
(UL/CUL Group B)(A)		15
(UL/CUL Group D)(V)		300
(UL/CUL Group D)(A)		10
UL/CUL	AWG	28
UL/CUL	AWG	12
UL/CUL	AWG	30
UL/CUL	AWG	12

&

가	(YES or NO)	YES
		120
		-40

UL

(Group B)(AWG)		30~12
(Group B)(V)		300
(Group B)(A)		15
(Group D)(AWG)		30~12
(Group D)(V)		300
(Group D)(A)		10

CUL

(Group B)(AWG)		30~12
(Group B)(V)		300
(Group B)(A)		15
(Group D)(AWG)		30~12
(Group D)(V)		300
(Group D)(A)		10

VDE

(mm ²)		0.2~4(sol)/0.2~2.5(str)
(V)		600

(A)

18

