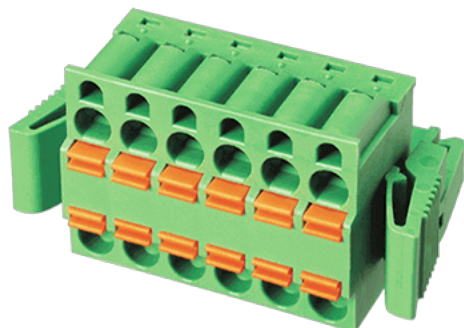


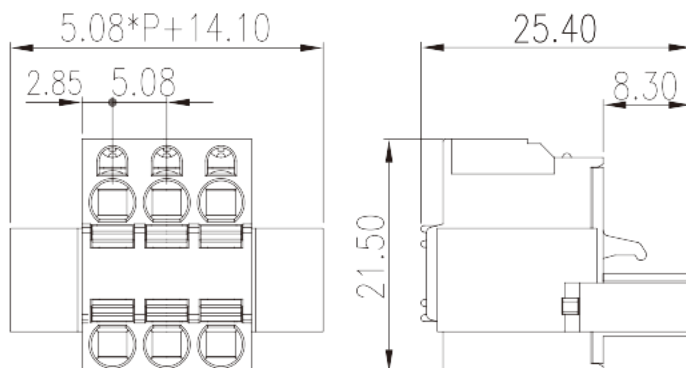
2ESDBAT-XXP

PCB > PCB -

:2026-07-04 :1.1



Twin connectors design, the pole number is half of the total connection points. The photo shows a 12 connection product, the pole number is 06.



Pitch : 5.08 mm, 300V, 12A

	PCB Connector Plug, Push in design
	PCB Connector – Plug
(mm)	5.08
	Green (default)
	Push in Design
	With lock flange
(mm)	5.08*P+14.10
(mm)	25.40
(mm)	21.50
()	02P~24P
	Single level
	PA
	I
UL 94	V0
	500M at DC 500V
	COPPER ALLOY

Tin PLATED

-IEC

(V)	600
(A)	15
(II/2)(V)	600
(III/2)(V)	320
(III/3)(V)	320
(II/2)(KV)	4
(III/2)(KV)	4
(III/3)(KV)	4
(mm ²)	0.2
(mm ²)	2.5
(mm ²)	0.2
(mm ²)	2.5
(mm ²) , ,	0.25
(mm ²) , ,	2.5
(mm ²) , ,	0.25
(mm ²) , ,	2.5
2 (mm ²) , ,	0.5
2 (mm ²) , ,	1
	11~12

-UL

(UL/CUL Group B)(V)	300
(UL/CUL Group B)(A)	12
(UL/CUL Group D)(V)	300
(UL/CUL Group D)(A)	10
UL/CUL AWG	24
UL/CUL AWG	12
UL/CUL AWG	24
UL/CUL AWG	12



&

가 (YES or NO)	YES
	120
	-40

UL

(Group B)(AWG)	24~12
(Group B)(V)	300
(Group B)(A)	12
(Group D)(AWG)	24~12
(Group D)(V)	300
(Group D)(A)	10

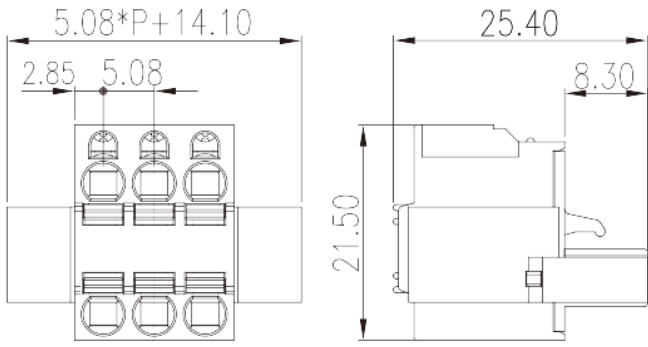
CUL

(Group B)(AWG)	24~12
(Group B)(V)	300
(Group B)(A)	12
(Group D)(AWG)	24~12
(Group D)(V)	300
(Group D)(A)	10

VDE

(mm ²)	0.2~2.5
(V)	600
(A)	15

--	--



circuit diagram

