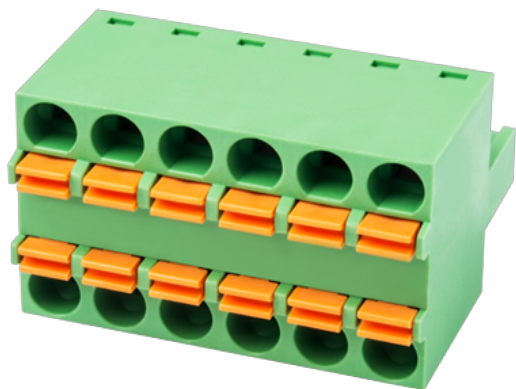


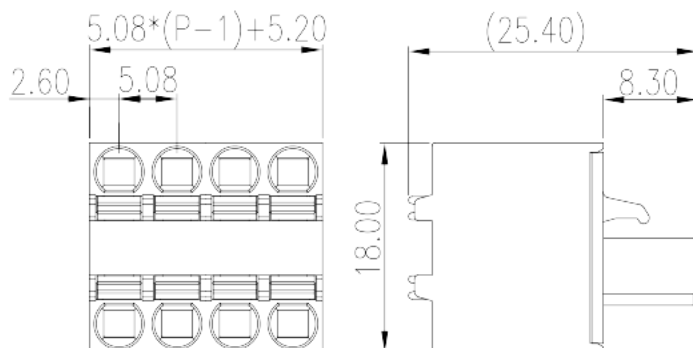
# 2ESDB-XXP

PCB > PCB -

:2026-07-04 :1.1



Twin connectors design, the pole number is half of the total connection points. photo shows a 12 connection product, the pole number is 06.



Pitch : 5.08 mm, 300V, 12A

	PCB Connector Plug , Push in design
	PCB Connector Plug
(mm)	5.08
	Green (default)
	Push in design
	Without
(mm)	$5.08 * (P - 1) + 5.20$
(mm)	25.4
(mm)	18
( )	02P~24P
	Single level

	PA
	I
UL 94	V0
	500M at DC 500V
	COPPER ALLOY

Tin PLATED

**-IEC**

(V)	600
(A)	15
(II/2)(V)	600
(III/2)(V)	320
(III/3)(V)	320
(II/2)(KV)	4
(III/2)(KV)	4
(III/3)(KV)	4
(mm <sup>2</sup> )	0.2
(mm <sup>2</sup> )	2.5
(mm <sup>2</sup> )	0.2
(mm <sup>2</sup> )	2.5
(mm <sup>2</sup> ) , ,	0.25
(mm <sup>2</sup> ) , ,	2.5
(mm <sup>2</sup> ) , ,	0.25
(mm <sup>2</sup> ) , ,	2.5
2 (mm <sup>2</sup> ) , ,	0.5
2 (mm <sup>2</sup> ) , ,	1
	11~12

**-UL**

(UL/CUL Group B)(V)	300
(UL/CUL Group B)(A)	12
(UL/CUL Group D)(V)	300
(UL/CUL Group D)(A)	10
UL/CUL AWG	24
UL/CUL AWG	12
UL/CUL AWG	24
UL/CUL AWG	12



&

가 (YES or NO)	YES
	120
	-40

UL

(Group B)(AWG)	24~12
(Group B)(V)	300
(Group B)(A)	12
(Group D)(AWG)	24~12
(Group D)(V)	300
(Group D)(A)	10

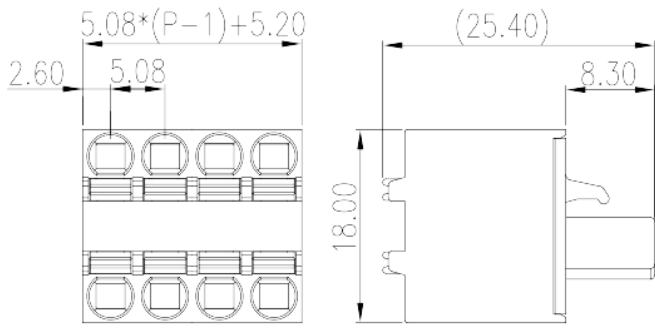
CUL

(Group B)(AWG)	24~12
(Group B)(V)	300
(Group B)(A)	12
(Group D)(AWG)	24~12
(Group D)(V)	300
(Group D)(A)	10

VDE

(mm <sup>2</sup> )	0.2~2.5
(V)	600
(A)	15

--	--



circuit diagram

