

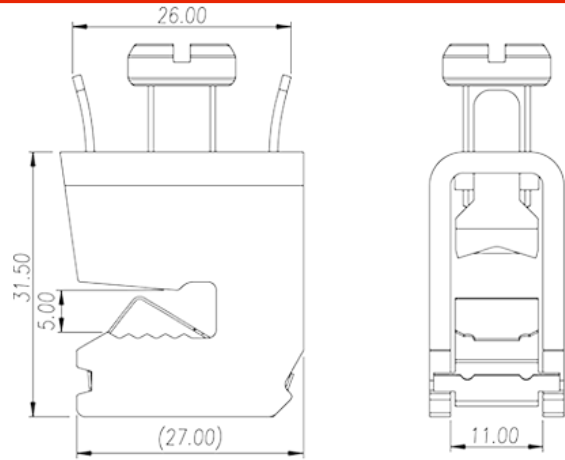
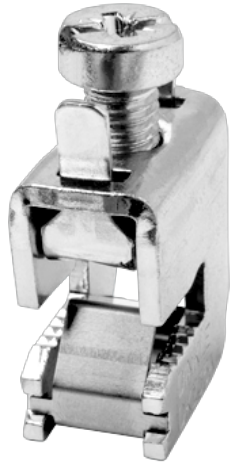
DKZ35A

DIN

>

:2026-07-04

:1.1



M8, Steel

	DIN Rail terminal blocks, Busbar terminal blocks
	Screw connection
	Busbar mounting
	1

-IEC

(mm ²)	4
(mm ²)	35
(mm ²)	4
(mm ²)	35
	M8
Width)(mm) (Blade thickness x	1.0x5.5
Philips	PH3
(N.m)	6
	NO
	NO

-UL

UL/CUL	AWG	10
UL/CUL	AWG	2
UL/CUL	AWG	10
UL/CUL	AWG	2

&

(YES or NO)	NO
가 (YES or NO)	NO

