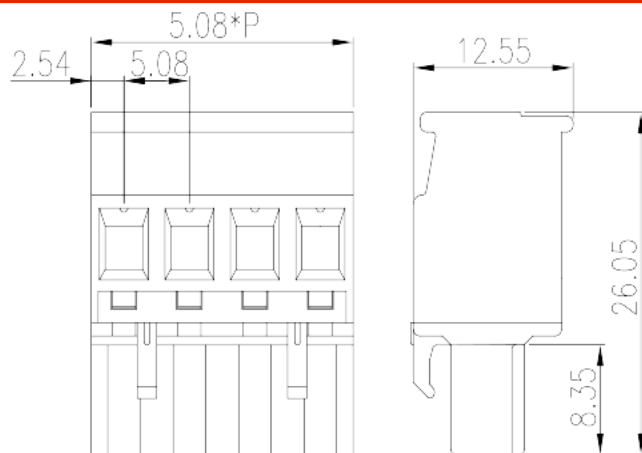


2ESDP-XXP

PCB > PCB -

:2026-07-04 :1.1



Pitch : 5.08 mm, 300V, 15A

	PCB Connector Plug, Screw Connection
	PCB Connector – Plug
(mm)	5.08
	Green (default)
	Screw Connection
	Without
(mm)	5.08*P
(mm)	12.55
(mm)	26.05
()	02P~24P
	Single level
	PA
	I
UL 94	V0
	500M at DC 500V
	COPPER ALLOY

		Tin PLATED
-IEC		
(V)		600
(A)		18
(II/2)(V)		600
(III/2)(V)		320
(III/3)(V)		250
(II/2)(KV)		4
(III/2)(KV)		4
(III/3)(KV)		4
(mm ²)		0.2
(mm ²)		4
(mm ²)		0.2
(mm ²)		2.5
(mm ²)	' ,	0.25
(mm ²)	' ,	2.5
(mm ²)	' ,	0.25
(mm ²)	' ,	2.5
	2 (mm ²)	1.5
	2 (mm ²)	1.5
(mm ²)	2 ' ,	0.25
(mm ²)	2 ' ,	0.75
	2 (mm ²) ' ,	0.5
	2 (mm ²) ' ,	1.5
		M2.5
Width)(mm)	(Blade thickness x	0.6x3.5
Philips		PH1
(N.m)		0.5
		7~8

-UL

(UL/CUL Group B)(V)		300
(UL/CUL Group B)(A)		15
(UL/CUL Group D)(V)		300
(UL/CUL Group D)(A)		10
UL/CUL	AWG	28
UL/CUL	AWG	12
UL/CUL	AWG	30
UL/CUL	AWG	12

&

가	(YES or NO)	YES
		120
		-40

UL

(Group B)(AWG)		30~12
(Group B)(V)		300
(Group B)(A)		15
(Group D)(AWG)		30~12
(Group D)(V)		300
(Group D)(A)		10

CUL

(Group B)(AWG)		30~12
(Group B)(V)		300
(Group B)(A)		15
(Group D)(AWG)		30~12
(Group D)(V)		300
(Group D)(A)		10

VDE

(mm ²)		0.2~4(sol)/0.2~2.5(str)
(V)		600

(A)

18

