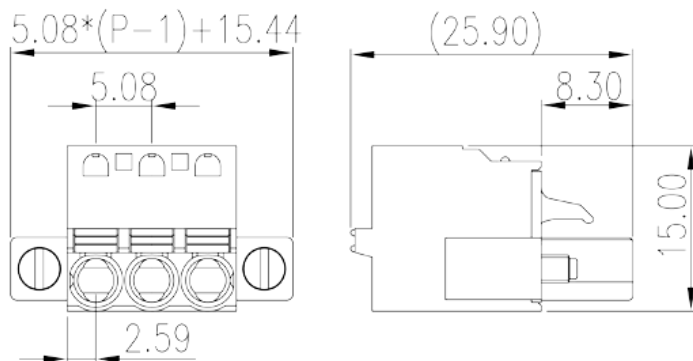
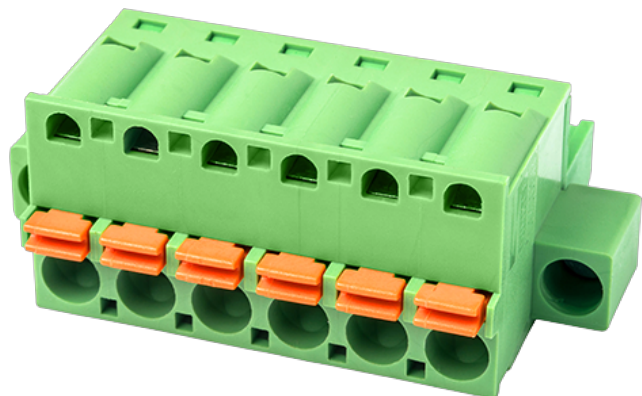


2ESDSRM-XXP

PCB > PCB -

:2026-07-04 :1.1



Pitch : 5.08 mm, 300V, 10A

	PCB Connector Plug, Push in design
	PCB Connector – Plug
(mm)	5.08
	Green (default)
	Push in Design
	With screw flange
(mm)	$5.08*(P-1) + 15.44$
(mm)	15
(mm)	25.9
()	02P~24P
	Single level
	PA
	I
UL 94	V0
	500M at DC 500V
	COPPER ALLOY

Tin PLATED

-IEC

(V)	630
(A)	18
(II/2)(V)	600
(III/2)(V)	320
(III/3)(V)	250
(II/2)(KV)	4
(III/2)(KV)	4
(III/3)(KV)	4
(mm ²)	0.2
(mm ²)	2.5
(mm ²)	0.2
(mm ²)	2.5
(mm ²) , ,	0.25
(mm ²) , ,	2.5
(mm ²) , ,	0.25
(mm ²) , ,	2.5
2 (mm ²) , ,	0.5
2 (mm ²) , ,	1
	10~11

-UL

(UL/CUL Group B)(V)	300
(UL/CUL Group B)(A)	10
(UL/CUL Group D)(V)	300
(UL/CUL Group D)(A)	10
UL/CUL AWG	26
UL/CUL AWG	12
UL/CUL AWG	26
UL/CUL AWG	12

&

가 (YES or NO)	YES
	120
	-40

UL

(Group B)(AWG)	26~12
(Group B)(V)	300
(Group B)(A)	10
(Group D)(AWG)	26~12
(Group D)(V)	300
(Group D)(A)	10

CUL

(Group B)(AWG)	26~12
(Group B)(V)	300
(Group B)(A)	10
(Group D)(AWG)	26~12
(Group D)(V)	300
(Group D)(A)	10

VDE

(mm ²)	0.2~2.5
(V)	630
(A)	18

--	--

