

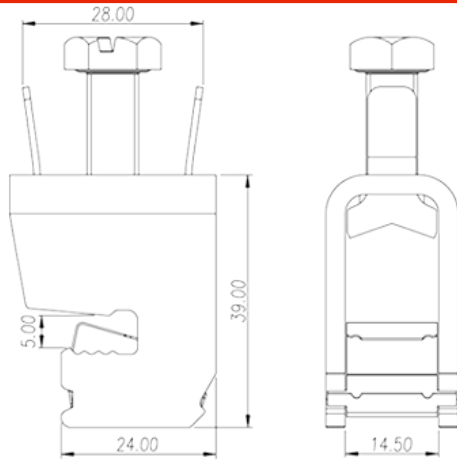
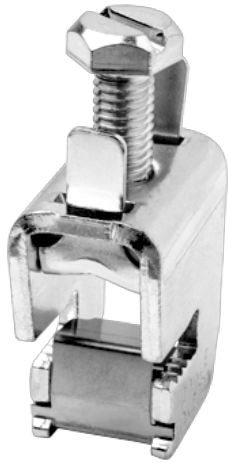
# DKZ70A

DIN

>

:2026-07-04

:1.1



M8, Steel

	DIN Rail terminal blocks, Busbar terminal blocks
	Screw connection
	Busbar mounting
	1

## -IEC

(mm <sup>2</sup> )	16
(mm <sup>2</sup> )	70
(mm <sup>2</sup> )	16
(mm <sup>2</sup> )	70
	M8
Width)(mm) (Blade thickness x	1.0x5.5
Philips	PH3
(N.m)	10
	NO
	NO

## -UL

UL/CUL	AWG	4
UL/CUL	AWG	2/0
UL/CUL	AWG	4
UL/CUL	AWG	2/0

**&**

(YES or NO)	NO
가 (YES or NO)	NO

**UL**

(Group B) (AWG)	4~2/0
-----------------	-------

**CUL**

(Group B) (AWG)	4~2/0
-----------------	-------

