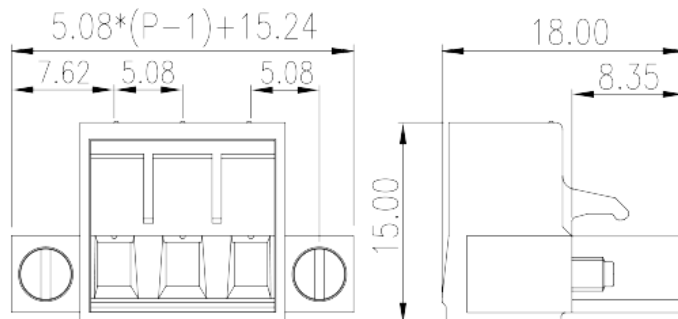


# 2ESDVM-XXP

PCB > PCB -

:2026-07-04 :1.1



Pitch : 5.08 mm, 300V, 15A

	PCB Connector – Plug, Screw Connection
	PCB Connector – Plug
(mm)	5.08
	Green (default)
	Screw Connection
	With screw flange
(mm)	$5.08 \times P + 10.16$
(mm)	18
(mm)	15
( )	02P~24P
	Single level
	PA
	I
UL 94	V0
	500M at DC 500V
	COPPER ALLOY



Tin PLATED

**-IEC**

(V)	600
(A)	18
(II/2)(V)	600
(III/2)(V)	320
(III/3)(V)	250
(II/2)(KV)	4
(III/2)(KV)	4
(III/3)(KV)	4
(mm <sup>2</sup> )	0.2
(mm <sup>2</sup> )	4
(mm <sup>2</sup> )	0.2
(mm <sup>2</sup> )	2.5
(mm <sup>2</sup> ) , ,	0.25
(mm <sup>2</sup> ) , ,	2.5
(mm <sup>2</sup> ) , ,	0.25
(mm <sup>2</sup> ) , ,	2.5
2 (mm <sup>2</sup> )	1.5
2 (mm <sup>2</sup> )	1.5
(mm <sup>2</sup> ) <sup>2</sup> , ,	0.5
(mm <sup>2</sup> ) <sup>2</sup> , ,	1
2 (mm <sup>2</sup> ) , ,	0.5
2 (mm <sup>2</sup> ) , ,	1
	M2.5
Width)(mm) (Blade thickness x	0.6x3.5
Philips	PH1
(N.m)	0.5
(N.m)	0.3

7~8

**-UL**

(UL/CUL Group B)(V)	300
(UL/CUL Group B)(A)	15
(UL/CUL Group D)(V)	300
(UL/CUL Group D)(A)	10
UL/CUL AWG	28
UL/CUL AWG	12
UL/CUL AWG	30
UL/CUL AWG	12

**&**

가 (YES or NO)	YES
	110
	-40

**UL**

(Group B)(AWG)	28~12
(Group B)(V)	300
(Group B)(A)	15
(Group D)(AWG)	28~12
(Group D)(V)	300
(Group D)(A)	10

**CUL**

(Group B)(AWG)	28~12
(Group B)(V)	300
(Group B)(A)	15
(Group D)(AWG)	28~12
(Group D)(V)	300
(Group D)(A)	10

**VDE**

(mm <sup>2</sup> )	0.2~4(sol)/0.2~2.5(str)
--------------------	-------------------------

(V)	600
(A)	18

