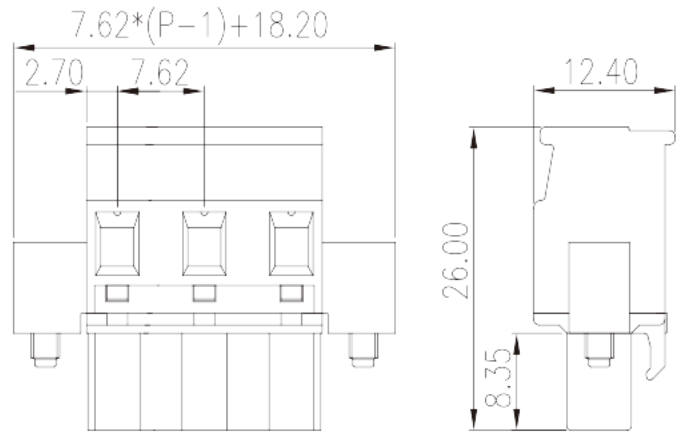


# 3ESDPLM-XXP

PCB &gt; PCB -

:2026-07-04 :1.1



Pitch : 7.62 mm, 300V, 15A

	PCB Connector – Plug, Screw Connection
	PCB Connector Plug
(mm)	7.62
	Green (default)
	Screw Connection
	With screw flange
(mm)	$7.62 * (P - 1) + 18.20$
(mm)	12.4
(mm)	26
( )	02P~12P
	Single level

	PA
	I
UL 94	V0
	500M at DC 500V
	COPPER ALLOY

		Tin PLATED
<b>-IEC</b>		
(V)		800
(A)		18
(II/2)(V)		800
(III/2)(V)		630
(III/3)(V)		400
(II/2)(KV)		6
(III/2)(KV)		6
(III/3)(KV)		6
(mm <sup>2</sup> )		0.2
(mm <sup>2</sup> )		2.5
(mm <sup>2</sup> )		0.2
(mm <sup>2</sup> )		2.5
(mm <sup>2</sup> )	,	0.25
(mm <sup>2</sup> )	,	2.5
(mm <sup>2</sup> )	,	0.25
(mm <sup>2</sup> )	,	2.5
2	(mm <sup>2</sup> )	1.5
2	(mm <sup>2</sup> )	1.5
(mm <sup>2</sup> ) <sup>2</sup>	,	0.25
(mm <sup>2</sup> ) <sup>2</sup>	,	0.75
(mm <sup>2</sup> ) <sup>2</sup>	,	0.5
(mm <sup>2</sup> ) <sup>2</sup>	,	1.5
		M2.5
Width)(mm)	(Blade thickness x	0.6x3.5
Philips		PH1
(N.m)		0.5
		7~8

### -UL

(UL/CUL Group B)(V)		300
(UL/CUL Group B)(A)		15
(UL/CUL Group D)(V)		300
(UL/CUL Group D)(A)		10
UL/CUL	AWG	28
UL/CUL	AWG	12
UL/CUL	AWG	30
UL/CUL	AWG	12

### &

가	(YES or NO)	YES
		120
		-40

### UL

(Group B)(AWG)		30~12
(Group B)(V)		300
(Group B)(A)		15
(Group D)(AWG)		30~12
(Group D)(V)		300
(Group D)(A)		10

### CUL

(Group B)(AWG)		30~12
(Group B)(V)		300
(Group B)(A)		15
(Group D)(AWG)		30~12
(Group D)(V)		300
(Group D)(A)		10

### VDE

(mm <sup>2</sup> )		0.2~2.5
(V)		800

(A)

18

