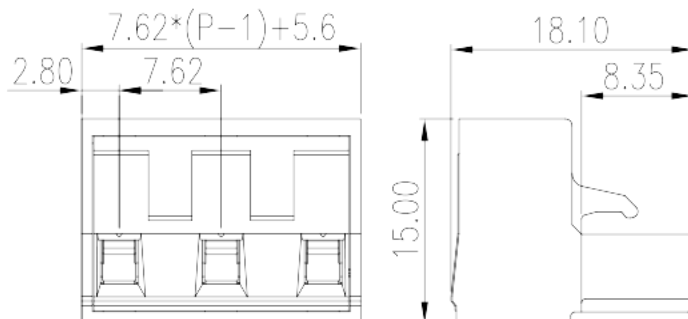


3ESDV-XXP

PCB > PCB -

:2025-08-05 :1.1



Pitch : 7.62 mm, 300V, 15A

	PCB Connector – Plug, Screw Connection
	PCB Connector – Plug
(mm)	7.62
	Green (default)
	Screw Connection
	Without
(mm)	$7.62 * (P-1) + 5.6$
(mm)	18.1
(mm)	15
()	02P~12P
	Single level
	PA
	I
UL 94	V0
	500M at DC 500V
	COPPER ALLOY



Tin PLATED

-IEC

(V)	800
(A)	18
(II/2)(V)	800
(III/2)(V)	630
(III/3)(V)	500
(II/2)(KV)	6
(III/2)(KV)	6
(III/3)(KV)	6
(mm ²)	0.2
(mm ²)	2.5
(mm ²)	0.2
(mm ²)	2.5
(mm ²) , ,	0.25
(mm ²) , ,	2.5
(mm ²) , ,	0.25
(mm ²) , ,	2.5
2 (mm ²)	0.2
2 (mm ²)	1.5
2 (mm ²)	0.2
2 (mm ²)	1.5
(mm ²) ² , ,	0.25
(mm ²) ² , ,	1
2 (mm ²) , ,	0.5
2 (mm ²) , ,	1.5
	M2.5
Width)(mm) (Blade thickness x	0.6x3.5
Philips	PH1



(N.m)	0.5
	7~8

-UL

(UL/CUL Group B)(V)	300
(UL/CUL Group B)(A)	15
(UL/CUL Group D)(V)	300
(UL/CUL Group D)(A)	10
UL/CUL AWG	28
UL/CUL AWG	12
UL/CUL AWG	30
UL/CUL AWG	12

&

가 (YES or NO)	YES
	120
	-40

UL

(Group B)(AWG)	30~12
(Group B)(V)	300
(Group B)(A)	15
(Group D)(AWG)	30~12
(Group D)(V)	300
(Group D)(A)	10

CUL

(Group B)(AWG)	30~12
(Group B)(V)	300
(Group B)(A)	15
(Group D)(AWG)	30~12
(Group D)(V)	300
(Group D)(A)	10

VDE

--	--

(mm ²)	0.2~2.5
(V)	800
(A)	18

