

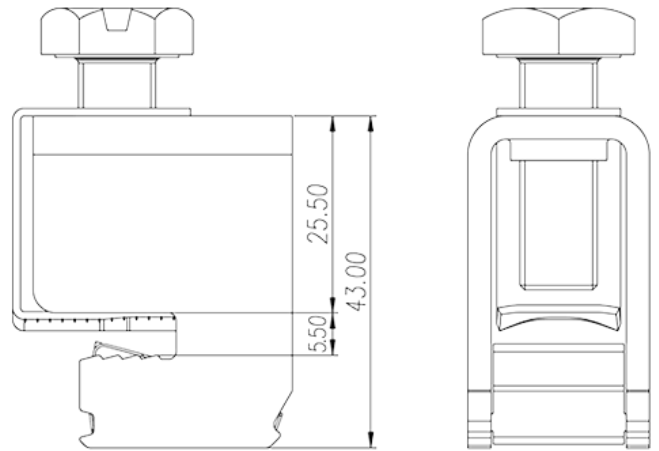
# DKZ120

DIN

>

:2026-07-05

:1.1



M10, Steel

	DIN Rail terminal blocks, Busbar terminal blocks
	Screw connection
	Busbar mounting
	1

## -IEC

(mm <sup>2</sup> )	16
(mm <sup>2</sup> )	120
(mm <sup>2</sup> )	16
(mm <sup>2</sup> )	120
	M10
Width)(mm) (Blade thickness x	1.0x5.5
Philips	PH3
(N.m)	15
	NO
	NO

## -UL

UL/CUL	AWG	4
UL/CUL	AWG	250kcmil
UL/CUL	AWG	4
UL/CUL	AWG	250kcmil

&

(YES or NO)	NO
가 (YES or NO)	NO

