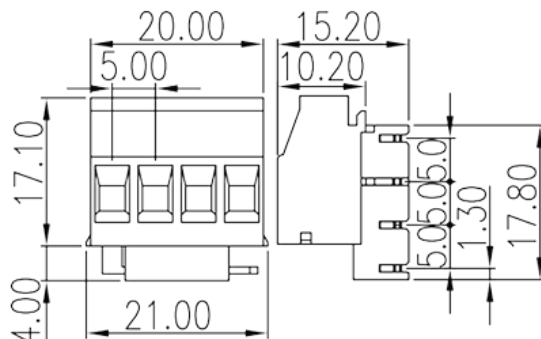


5ES-4PR

PCB > PCB -

:2026-07-05 :1.1



Pitch : 5.00 mm, 300V, 10A

	PCB Terminal Blocks, Screw Connection
	PCB Terminal Blocks
(mm)	5.00
	Green (default)
	Screw Connection
	Without
(mm)	20
(mm)	15.2
(mm)	21.2
()	04P
	Single level
	PA
	I
UL 94	V0
	500M at DC 500V
	COPPER ALLOY

	Tin Plated
-IEC	
(V)	400
(A)	18
(II/2)(V)	630
(III/2)(V)	400
(III/3)(V)	320
(II/2)(KV)	4
(III/2)(KV)	4
(III/3)(KV)	4
(mm ²)	0.2
(mm ²)	2.5
(mm ²)	0.2
(mm ²)	2.5
(mm ²) , ,	0.25
(mm ²) , ,	2.5
(mm ²) , ,	0.25
(mm ²) , ,	2.5
2 (mm ²)	0.2
2 (mm ²)	1
2 (mm ²)	0.2
2 (mm ²)	1
(mm ²) ² , ,	0.5
(mm ²) ² , ,	0.75
2 (mm ²) , ,	0.5
2 (mm ²) , ,	1.5
Philips	0.6x3.5
(N.m)	0.4
	7~8



-UL

(UL/CUL Group B)(V)		300
(UL/CUL Group B)(A)		10
(UL/CUL Group D)(V)		300
(UL/CUL Group D)(A)		10
UL/CUL	AWG	22
UL/CUL	AWG	14
UL/CUL	AWG	22
UL/CUL	AWG	14

&

가	(YES or NO)	YES
		120
		-40

UL

(Group B)(AWG)		22~14
(Group B)(V)		300
(Group B)(A)		10
(Group D)(AWG)		22~14
(Group D)(V)		300
(Group D)(A)		10

CUL

(Group B)(AWG)		22~14
(Group B)(V)		300
(Group B)(A)		10
(Group D)(AWG)		22~14
(Group D)(V)		300
(Group D)(A)		10

--	--	--

