

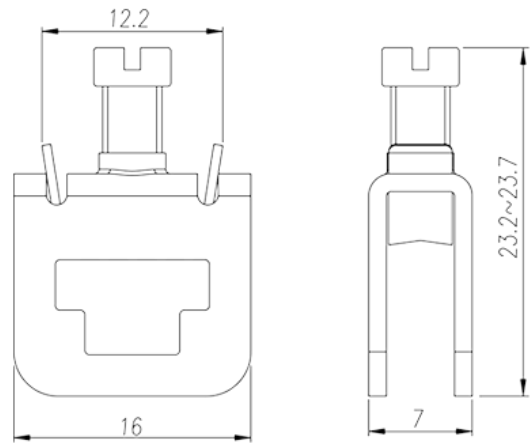
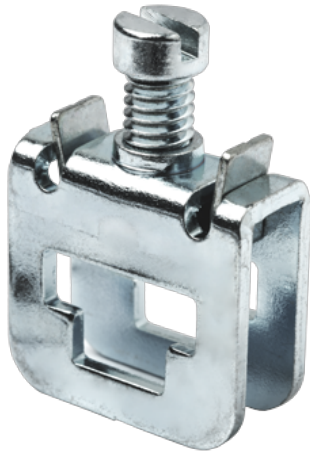
DKZ4

DIN

>

:2026-07-04

:1.1



M4, Steel

| | |
|--|--|
| | DIN Rail terminal blocks, Busbar terminal blocks |
| | Screw connection |
| | Busbar mounting |
| | 1 |

-IEC

| | |
|-------------------------------|---------|
| (mm ²) | 0.5 |
| (mm ²) | 6 |
| (mm ²) | 0.5 |
| (mm ²) | 6 |
| | M4 |
| Width)(mm) (Blade thickness x | 1.0x5.5 |
| Philips | PH2 |
| (N.m) | 1.2 |
| (N.m) | 1.44 |
| | NO |
| | NO |

-UL

| | | |
|--------|-----|----|
| UL/CUL | AWG | 20 |
| UL/CUL | AWG | 10 |
| UL/CUL | AWG | 20 |
| UL/CUL | AWG | 10 |

&

| | |
|---------------|----|
| (YES or NO) | NO |
| 가 (YES or NO) | NO |

