

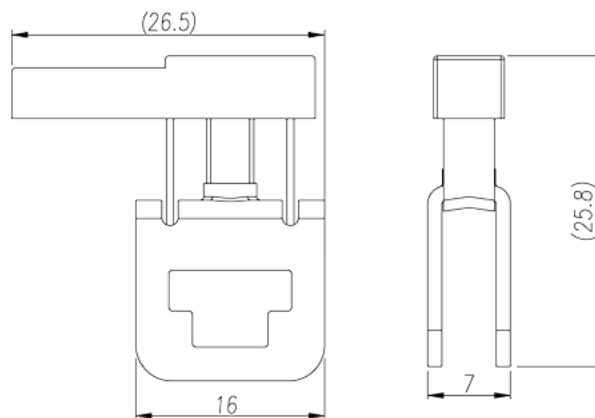
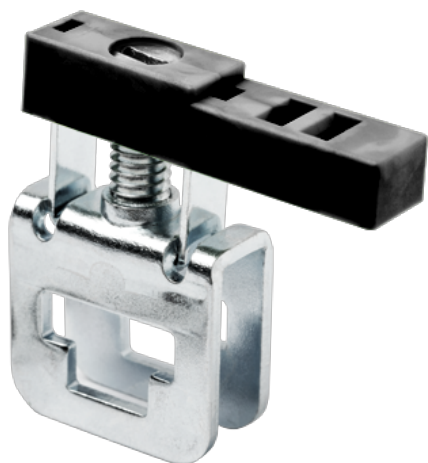
# DKZ4E

DIN

>

:2026-07-04

:1.1



M4, Steel

	DIN Rail terminal blocks, Busbar terminal blocks
	Black (default)
	Screw connection
	Busbar mounting
	1
	PA
	I
UL 94	V2
<b>-IEC</b>	
(mm <sup>2</sup> )	0.5
(mm <sup>2</sup> )	6
(mm <sup>2</sup> )	0.5
(mm <sup>2</sup> )	6
	M4
(Blade thickness x	1.0x5.5

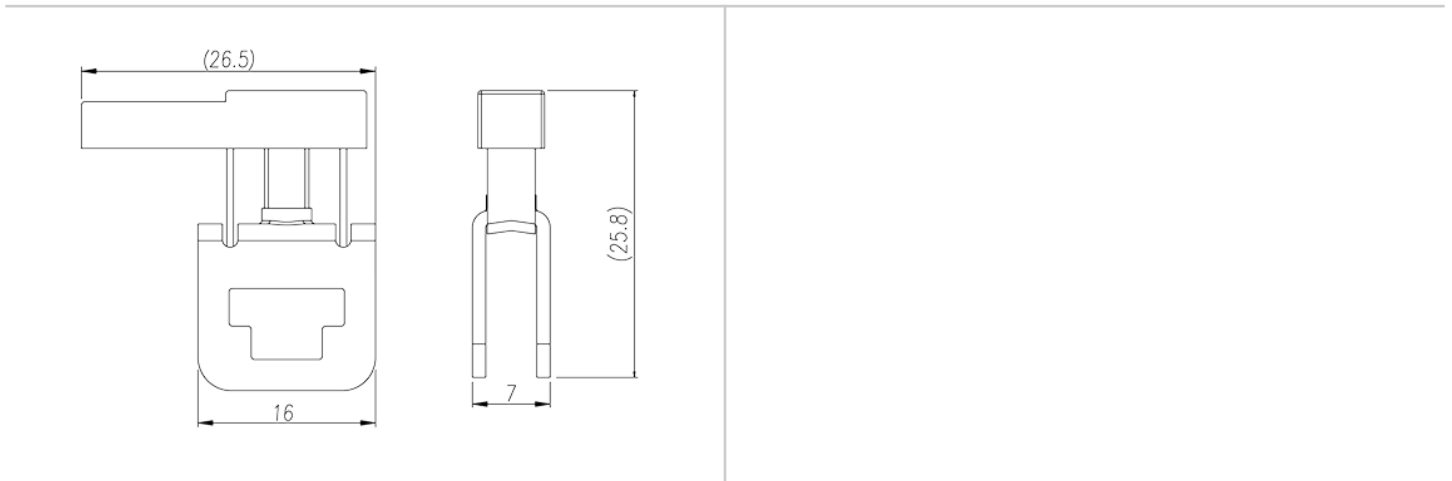
Width)(mm)	
Philips	PH2
(N.m)	1.2
(N.m)	2.4
	NO
	NO

**-UL**

UL/CUL	AWG	20
UL/CUL	AWG	10
UL/CUL	AWG	20
UL/CUL	AWG	10

**&**

(YES or NO)	NO
가 (YES or NO)	NO





Delight Through Connections