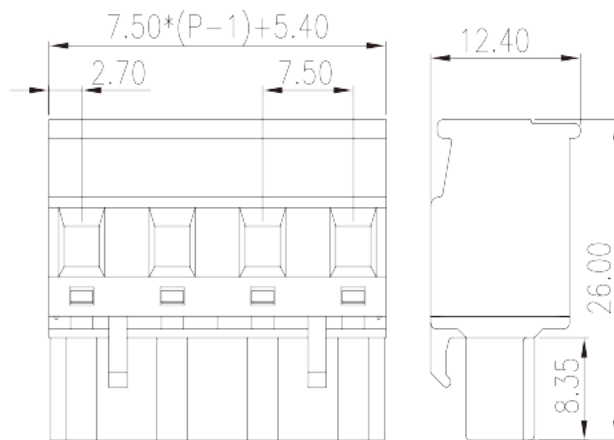


# 7ESDP-XXP

PCB > PCB -

:2026-07-04 :1.1



Pitch : 7.50 mm, 300V, 15A

	PCB Connector – Plug, Screw Connection
	PCB Connector – Plug
(mm)	7.5
	Green (default)
	Screw Connection
	Without
(mm)	$7.50*(P-1)+5.40$
(mm)	12.4
(mm)	26
( )	02P~11P
	Single level
	PA
	I
UL 94	V0
	500M at DC 500V
	COPPER ALLOY

		Tin PLATED
<b>-IEC</b>		
(V)		1000
(A)		18
(II/2)(V)		1000
(III/2)(V)		630
(III/3)(V)		400
(II/2)(KV)		6
(III/2)(KV)		6
(III/3)(KV)		6
(mm <sup>2</sup> )		0.2
(mm <sup>2</sup> )		2.5
(mm <sup>2</sup> )		0.2
(mm <sup>2</sup> )		2.5
(mm <sup>2</sup> )	,	0.25
(mm <sup>2</sup> )	,	2.5
(mm <sup>2</sup> )	,	0.25
(mm <sup>2</sup> )	,	2.5
2	(mm <sup>2</sup> )	0.2
2	(mm <sup>2</sup> )	1.5
2	(mm <sup>2</sup> )	0.2
2	(mm <sup>2</sup> )	1.5
(mm <sup>2</sup> ) <sup>2</sup>	,	0.25
(mm <sup>2</sup> ) <sup>2</sup>	,	0.75
2	(mm <sup>2</sup> )	0.5
2	(mm <sup>2</sup> )	1.5
		M2.5
Width)(mm)	(Blade thickness x	0.6x3.5
Philips		PH1



(N.m)	0.5
	7~8

### -UL

(UL/CUL Group B)(V)	300
(UL/CUL Group B)(A)	15
(UL/CUL Group D)(V)	300
(UL/CUL Group D)(A)	10
UL/CUL AWG	28
UL/CUL AWG	12
UL/CUL AWG	30
UL/CUL AWG	12

### &

가 (YES or NO)	YES
	120
	-40

### UL

(Group B)(AWG)	30 ( str ) ~12, 28 ( sol ) ~12
(Group B)(V)	300
(Group B)(A)	15
(Group D)(AWG)	30 ( str ) ~12, 28 ( sol ) ~12
(Group D)(V)	300
(Group D)(A)	10

### CUL

(Group B)(AWG)	30 ( str ) ~12, 28 ( sol ) ~12
(Group B)(V)	300
(Group B)(A)	15
(Group D)(AWG)	30 ( str ) ~12, 28 ( sol ) ~12
(Group D)(V)	300
(Group D)(A)	10

### VDE

--	--

(mm <sup>2</sup> )	0.2~2.5
(V)	800
(A)	18

